

.050" FLEX CARD TERMINAL FCF SERIES

SPECIFICATIONS

For complete specifications see www.samtec.com?FCF

Insulator Material:
Black Liquid Crystal Polymer



Terminal Material:
Phosphor Bronze

Current Rating:
2A @ 80°C ambient

Operating Temp Range:
-65°C to +105°C with Tin;
-65°C to +125°C with Gold

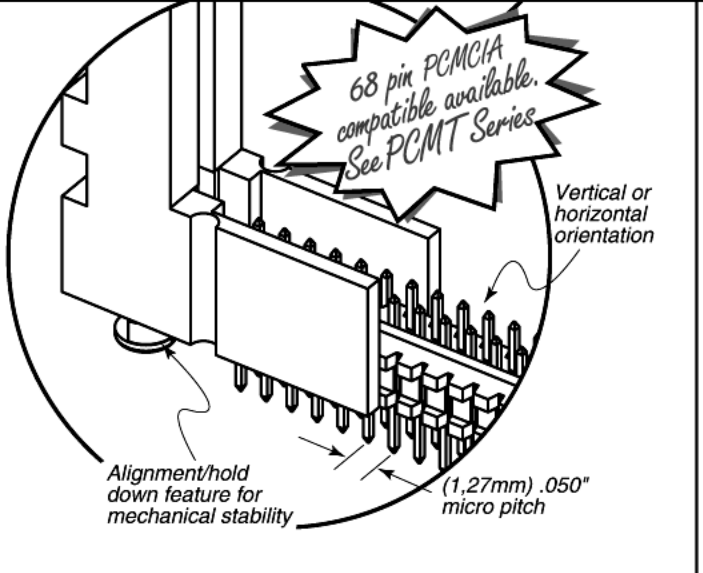
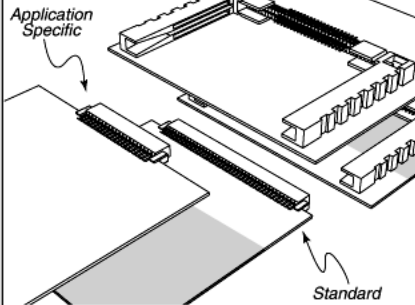
Max Processing Temp:
230°C for 60 seconds

Plating: Sn or Au over 50µ" (1,27µm) Ni

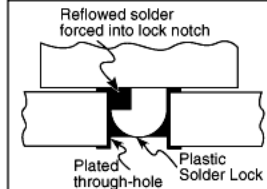
Mates with:
EMF

APPLICATION SPECIFIC OPTIONS

Other pin counts and card widths available. Call Samtec.



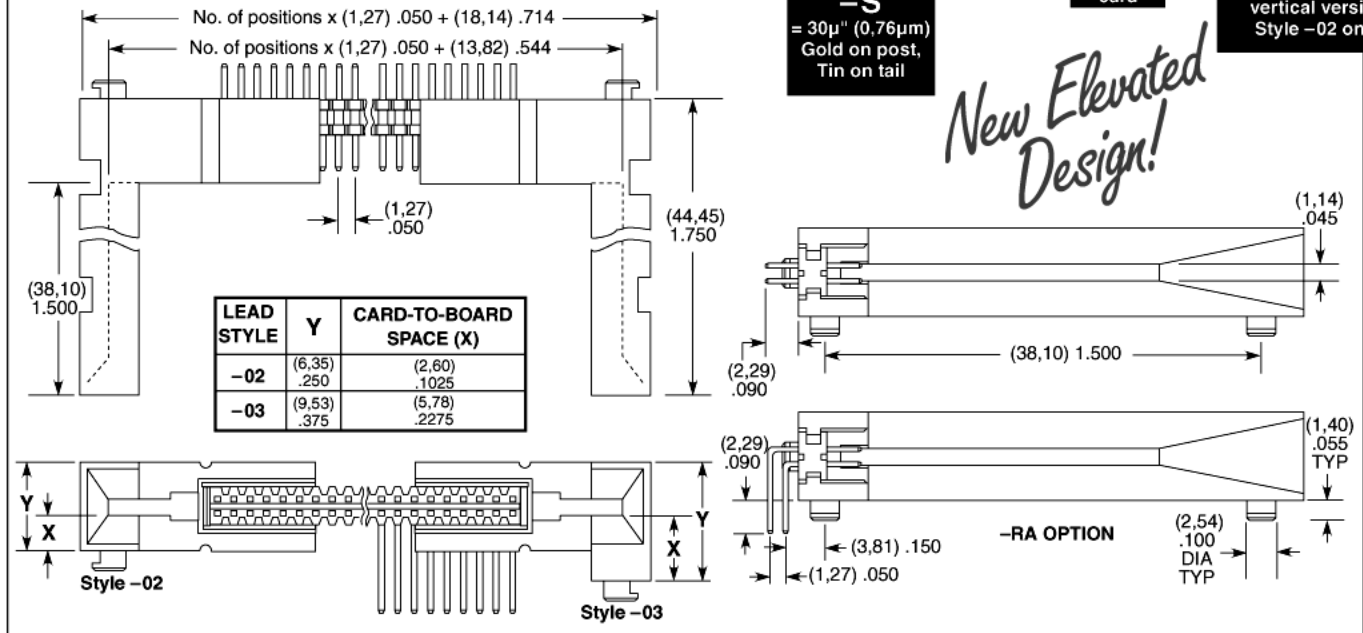
APPLICATIONS



Note: Some lengths, styles and options are non-standard, non-returnable.

FCF	1	NO. PINS PER ROW	LEAD STYLE	PLATING OPTION	D	CARD SLOT	TAIL OPTION	SL
			Specify LEAD STYLE from chart	-L = 10µ" (0,25µm) Gold on post, Tin on tail -S = 30µ" (0,76µm) Gold on post, Tin on tail		-01 = Accepts (0,80mm) .031" thick card	-RA = Right Angle (Leave blank for vertical version. Style -02 only)	

20, 30, 40 & 50
(Call Samtec for other sizes)



Due to technical progress, all designs, specifications and components are subject to change without notice.

WWW.SAMTEC.COM