

## DM74AS286 9-Bit Parity Generator/Checker with Bus-Driver Parity I/O Port

### General Description

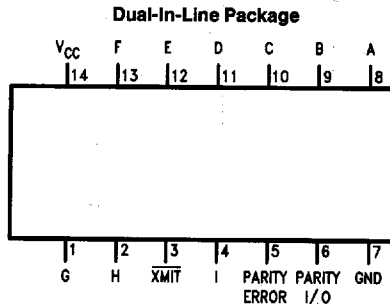
These universal, 9-bit parity generators/checkers utilize advanced Schottky high performance circuitry and feature odd/even outputs to facilitate operation of either odd or even parity applications. The word length capability is easily expanded by cascading.

The 'AS286 can be used to upgrade the performance of most systems utilizing the 'AS180, 'AS280 parity generator/checker. Although the 'AS286 is implemented without expander inputs, the corresponding function is provided by the availability of an input pin  $\overline{\text{XMIT}}$ .  $\overline{\text{XMIT}}$  is a control line which makes parity error output active and parity an input port when "high"; when "low", parity error output is inactive and parity becomes an output port. In addition, parity I/O control circuitry contains a feature to keep the I/O port in the TRI-STATE<sup>®</sup> during power up or down to prevent bus glitches.

### Features

- PNP inputs to reduce bus loading
- Generates either odd or even parity for nine data lines
- Inputs are buffered to lower the drive requirements
- Can be used to upgrade existing systems using MSI parity circuits
- Cascadable for n-bits
- Switching specifications at 50 pF
- Switching specifications guaranteed over full temperature and  $V_{CC}$  range
- A parity I/O portable to drive bus

### Connection Diagram



Top View

TL/F/6305-1

Order Number DM74AS286M or DM74AS286N  
See NS Package Number M14A or N14A

### Function Table

Number of Inputs (A thru I) that are High	Parity I/O		$\overline{\text{XMIT}}$	Parity Error	Mode of Operation
	Input	Output			
0, 2, 4, 6, 8	N/A	H	L	H	Parity Generator
1, 3, 5, 7, 9	N/A	L	L	H	
0, 2, 4, 6, 8	H	N/A	H	H	Parity Checker
0, 2, 4, 6, 8	L	N/A	H	L	
1, 3, 5, 7, 9	H	N/A	H	L	Parity Checker
1, 3, 5, 7, 9	L	N/A	H	H	

L = Low Logic Level  
H = High Logic Level  
N/A = Not Applicable

## Absolute Maximum Ratings

Supply Voltage	7V
Input Voltage	7V
Operating Free Air Temperature Range	0°C to +70°C
Storage Temperature Range	-65°C to +150°C
Typical $\theta_{JA}$	
N Package	77.0°C/W
M Package	108.0°C/W

Note: The "Absolute Maximum Ratings" are those values beyond which the safety of the device cannot be guaranteed. The device should not be operated at these limits. The parametric values defined in the "Electrical Characteristics" table are not guaranteed at the absolute maximum ratings. The "Recommended Operating Conditions" table will define the conditions for actual device operation.

## Recommended Operating Conditions

Symbol	Parameter	Min	Typ	Max	Units
$V_{CC}$	Supply Voltage	4.5	5	5.5	V
$V_{IH}$	High Level Input Voltage	2			V
$V_{IL}$	Low Level Input Voltage			0.8	V
$I_{OH}$	High Level Output Current	Parity I/O		-15	mA
		Parity Error		-2	mA
$I_{OL}$	Low Level Output Current	Parity I/O		48	mA
		Parity Error		20	mA
$T_A$	Operating Free-Air Temperature	0		70	°C

## Electrical Characteristics

over recommended free-air temperature range (Note 1). All typical values are measured at  $V_{CC} = 5V$ ,  $T_A = 25^\circ C$ .

Symbol	Parameter	Conditions	Min	Typ	Max	Units
$V_{IK}$	Input Clamp Voltage	$V_{CC} = 4.5V$ , $I_{IN} = -18$ mA			-1.2	V
$V_{OH}$	High Level Output Voltage	$I_{OH} = \text{Max}$ , $V_{CC} = 4.5V$	2.4	3.2		V
		$V_{CC} = 4.5V$ to $5.5V$ , $I_{OH} = -2$ mA	$V_{CC} - 2$			V
$V_{OL}$	Low Level Output Voltage	$V_{CC} = 4.5V$ , $I_{OL} = \text{Max}$		0.35	0.5	V
$I_I$	Input Current at Max Input Voltage	$V_{CC} = 5.5V$ , $V_{IH} = 7V$ ( $V_I = 5.5V$ for Parity I/O)			0.1	mA
$I_{IH}$	High Level Input Current	$V_{CC} = 5.5V$ $V_{IH} = 2.7V$ (Note 1)			20	$\mu A$
		Others Parity I/O			50	
$I_{IL}$	Low Level Input Current	$V_{CC} = 5.5V$ , $V_{IL} = 0.4V$ (Note 1)			-0.5	mA
$I_O$	Output Drive Current	$V_{CC} = 5.5V$ , $V_{OUT} = 2.25V$	-30		-112	mA
$I_{CC}$	Supply Current	$V_{CC} = 5.5V$ , Transmit Mode XMIT = Low			43	mA
		Receive Mode XMIT = High			50	mA

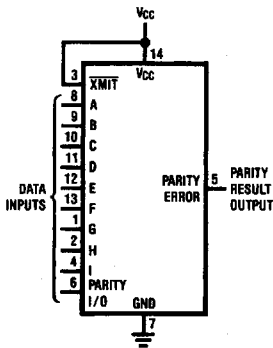
Note 1: For I/O ports, the parameters  $I_{IH}$  and  $I_{IL}$  include the off-state current,  $I_{OZH}$  and  $I_{OZL}$ .

## Switching Characteristics over recommended supply and temperature range (Note 1)

Symbol	Parameter	From	To	Min	Max	Units
t <sub>PLH</sub>	Propagation Delay Time from Low to High Level Output	Any Data Input	Parity I/O	3	15	ns
t <sub>PHL</sub>	Propagation Delay Time from High to Low Level Output	Any Data Input	Parity I/O	3	14	ns
t <sub>PLH</sub>	Propagation Delay Time from Low to High Level Output	Any Data Input	Parity Error	3	16.5	ns
t <sub>PHL</sub>	Propagation Delay Time from High to Low Level Output	Any Data Input	Parity Error	3	16.5	ns
t <sub>PLH</sub>	Propagation Delay Time from Low to High Level Output	Parity I/O	Parity Error	3	9	ns
t <sub>PHL</sub>	Propagation Delay Time from High to Low Level Output	Parity I/O	Parity Error	3	9	ns
t <sub>PZL</sub>	Output Enable Time to Low Level	XMIT	Parity I/O	3	16	ns
t <sub>PLZ</sub>	Output Disable Time from Low Level	XMIT	Parity I/O	3	10	ns
t <sub>PZH</sub>	Output Disable Time from High Level	XMIT	Parity I/O	3	13	ns
t <sub>PHZ</sub>	Output Enable Time to High Level	XMIT	Parity I/O	3	11.5	ns

Note 1: See Section 5 for test waveforms and output load.

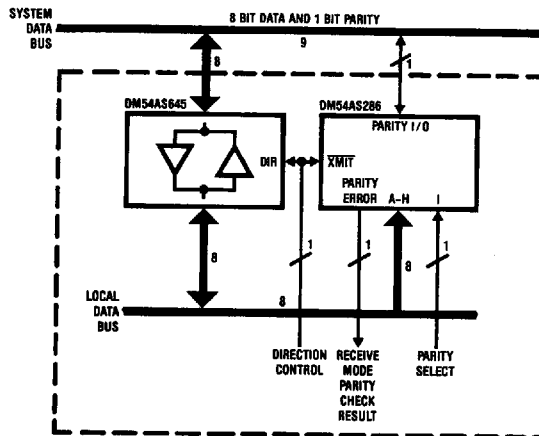
## Typical Applications



Number of Inputs that are Logic "1"	Parity Result Output
0, 2, 4, 6, 8, 10	Even
1, 3, 5, 7, 9	Odd

TL/F/6305-2

FIGURE 1. Dedicated 10-Bit Parity Sensing Configuration



TL/F/6305-3

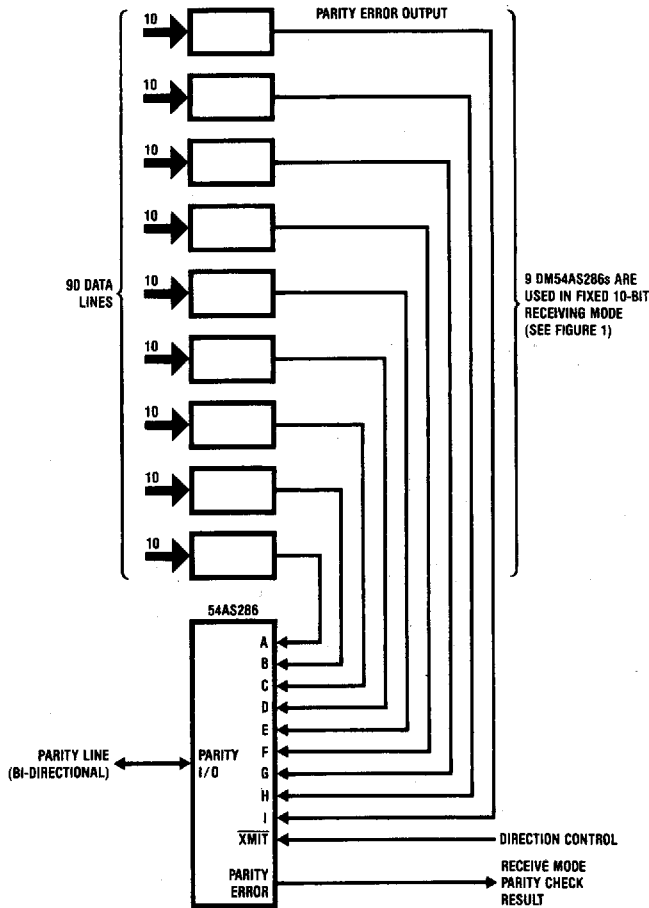
Typical Applications (Continued)

Direction Control (XMIT)	I/O Direction (Parity I/O)	Parity Check Result (Parity Error)	
		Level	Σ Result
H	Input (Receive)	H	True
		L	False
L	Output (Transmit)	H	N/A

L = Low Logic Level H = High Logic Level N/A = Not Applicable

Parity Select (Input I)	
Level	Format
H	Even
L	Odd

FIGURE 2. Bus I/O Parity Implementation



Note: Parity format in this configuration is "odd parity"

FIGURE 3. 90-Bit Parity Generator/Checker Implementation Using Device Expansion Techniques

TL/F/6305-4