




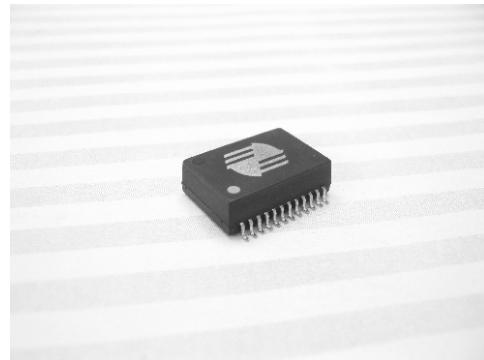




-  Dual Port package contains Transformers with optional Common Mode Chokes on both transmit and receive channels
-  Designs matched to leading transceivers ICs
-  Operating temperature -40°C to +85°C
-  Isolation voltage: 1500Vrms
-  RoHS compliant versions are available



ELECTRICAL SPECIFICATION @25°C

Part Number		Turns Ratio (Pri: Sec ±2%)		OCL Secondary (mH Min)	C _{ww} (pF Max)	DCR Primary (Max)	Schematic	Primary Pins	
w/ CMC	w/o CMC	Tx	Rx					Tx	Rx
821-M0684 ¹	821-M0578R	1CT:2.4CT	1CT:1CT	1.20	35	0.80	2	1-3 & 10-12	21-19 & 18-16
821-M0685R	821-M0565 ¹	1CT:2.42CT	1CT:2.42CT	1.20	25	0.80	1	4-6 & 10-12	1-3 & 7-9
821-M0686R	821-M0576 ¹	1CT:2CT	1CT:1CT	1.20	35	0.80	1	4-6 & 10-12	24-22 & 18-16
821-M0687 ¹	821-M0571 ¹	1CT:1.15CT	1CT:1.15CT	1.20	35	0.80	1	4-6 & 10-12	1-3 & 7-9
821-M0688 ¹	821-M0572 ¹	1CT:1.41CT	1CT:1.41CT	1.20	30	0.80	2	1-3 & 10-12	21-19 & 18-16
821-M0689 ¹	821-M0564 ¹	1CT:2CT	1CT:2CT	1.20	25	0.80	1	4-6 & 10-12	1-3 & 7-9
821-M0690 ¹	821-M0567 ¹	1CT:2CT	1CT:2CT	1.20	25	0.80	2	1-3 & 10-12	21-19 & 18-16
821-M0691 ¹	821-M0575 ¹	1CT:2.3CT	1CT:1CT	1.20	35	0.80	1	4-6 & 10-12	24-22 & 18-16
821-M0692 ¹	821-M0568 ¹	1CT:1.36CT	1CT:2CT	1.20	35	0.80	1	4-6 & 10-12	24-22 & 18-16
821-M0693 ¹	821-M0569 ¹	1CT:1.36CT	1CT:1CT	1.20	35	0.80	1	4-6 & 10-12	24-22 & 18-16
821-M0694 ¹	821-M0574 ¹	1CT:1.15CT	1CT:2CT	1.20	35	0.80	1	4-6 & 10-12	1-3 & 7-9

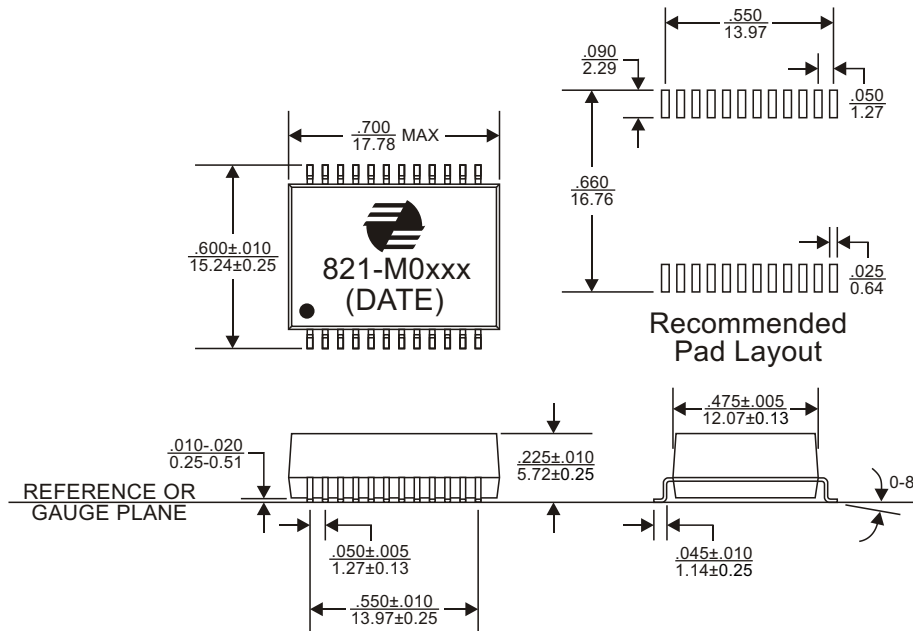
Notes:

1. For RoHS version compliant, Please contact EEMPL.



MECHANICAL DIMENSIONS

Package: SO024A

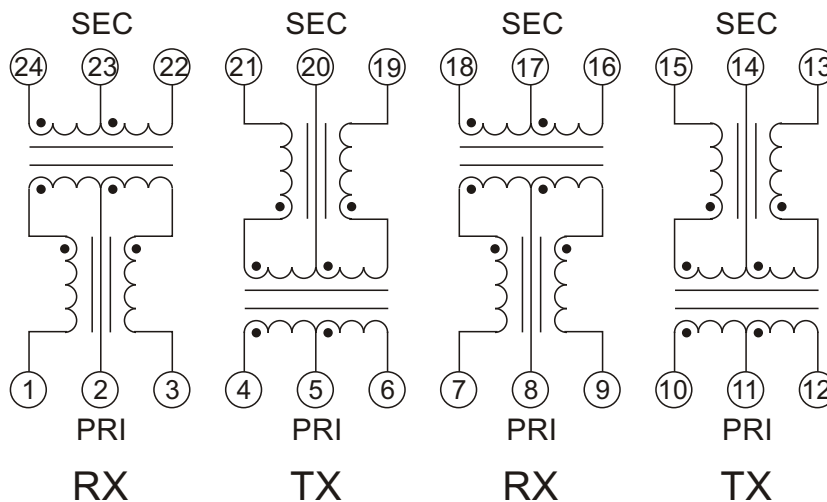


Notes:

- All dimensions are specified in $\frac{\text{inches}}{\text{mm}}$ with higher precedence in inches.
- Unless otherwise specified, all tolerances are $\pm \frac{.010}{0.25}$.

Weight (in gram)	: 2.4 Typ.
Tape & Reel	: 450 / reel

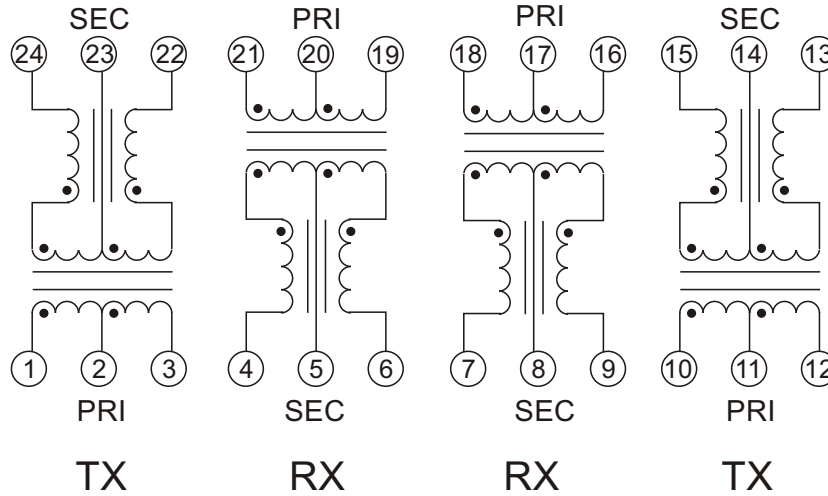
Schematic 1





Schematics

Schematic 2



FOR MORE INFORMATION, PLEASE CONTACT

HEADQUARTER

1/F., Harbour View 1, No.12 Science Park East Avenue,
Phase II, Hong Kong Science Park, Shatin, N.T.
Hong Kong

Tel: (852) 2954 3333 Fax: (852) 2954 3304

Email: eempl@eleceltek.com

Website: <http://www.eleceltek.com> / www.eemagnetic.com

Information herein is for reference only and subject to change without notice. It does not constitute any representation, warranty or commitment of the company in respect of the products in any aspect. All logos, brands and product names mentioned herein are trademarks or registered trademarks of their respective owners. The company does not assume any liability arising out of the application or use of any product or circuit described herein. Copyrights 2009, E & E Magnetic Products Limited.