

SF 4532-6005

NOTES:

1. MATING: Interface dimensions per Mil-C-39012/TNC Series & S/M MD-108.

2. MATERIALS:

ALL METAL PARTS

EXCEPT CONTACT..Stainless Steel per AMS-5640, Type 303, Cond. A.

CONTACT & CLAMP.....Beryllium Copper per QQ-C-530, Cond. H.T., Alloy 173.

INSULATOR.....Teflon per Mil-P-19468 & L-P-403, Type 1.

GASKET.....Silicone Rubber per ZZ-R-765, Class IIB, Grade 50 or 60.

3. FINISH:

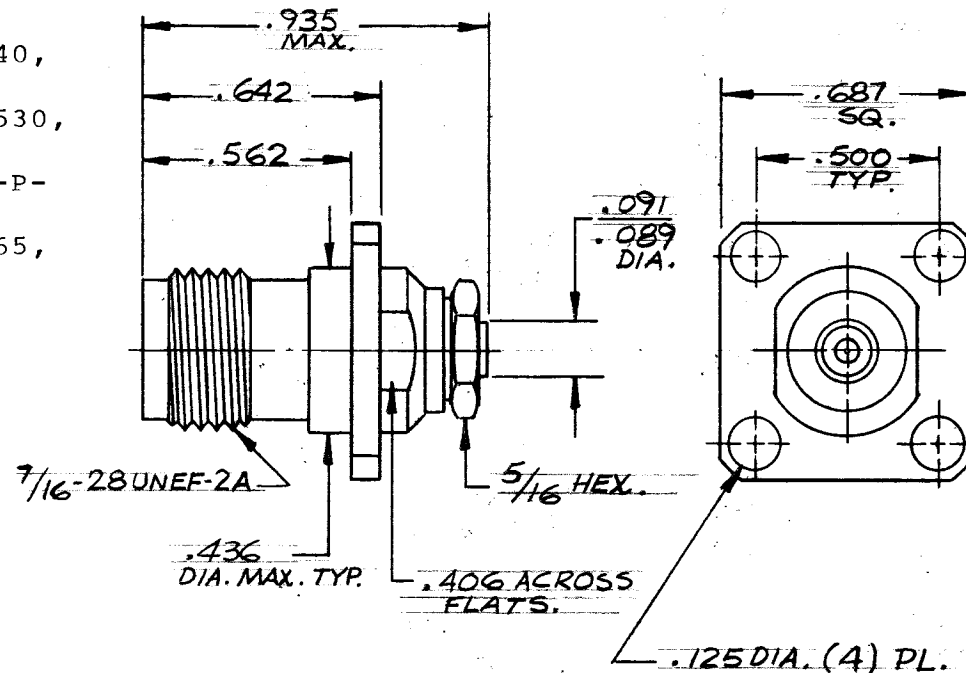
ALL METAL PARTS

EXCEPT CONTACT..Passivate per QQ-P-35A, Type 1.

CONTACT & CLAMP.....Gold per Mil-G-45204, Type II, Grade C, Class 2; over Copper per Mil-C-14550, Class 4.

4. CABLE ASS'Y INSTRUCTIONS: 300-80-617.

5. CONNECTOR ACCOMMODATES: .085 S.R. CABLE.



|   |              |      |             |  |  |  |       |
|---|--------------|------|-------------|--|--|--|-------|
| SYM   | DESCRIPTION  | DATE | APPR.       | UNLESS OTHERWISE SPECIFIED<br>1 ALL DIMENSIONS ARE AFTER PLATING<br>2 BREAK ALL CORNERS & EDGES .005 R MAX.<br>3 CHAMFER 1ST & LAST THREADS 45°<br>4 SURFACE ROUGHNESS 63 ✓ MIL-STD-10<br>5 DIAMETERS ON COMMON CENTERS TO BE CONCENTRIC WITHIN T.I.R.<br>6 REMOVE ALL BURRS | <b>SOLITRON/MICROWAVE</b><br>PORT SALERNO, FLORIDA |  | REF.  |
| -   | REL F-10800  | 4/87 | [Signature] |  | MATERIAL _____                                     |  | TITLE |
| A   | REV. F-11423 | 1/89 | WJT         | FINISH _____ AREA _____  |  | PTNC JACK<br>4 HOLE STRAIGHT FL.<br>MOUNT. FOR .085 S.R.<br>CABLE. SOLDER CLAMP ATT. |       |
| DIMENSIONS ARE IN INCHES<br>TOLERANCES<br>DECIMALS FRACTIONAL ANGULAR<br>X ± .030 X' ± 1'0"<br>XX ± .015 ± 1/64 X'' ± 15"<br>XXX ± .005 |              |      |             | DRAWN [Signature] DATE 4-17-87<br>CHECKED [Signature] DATE 4-20-87<br>APPROVED [Signature] DATE 9/29/87  | SCALE _____<br>CODE IDENT NO. 95077<br>SIZE A      | DRAWING NO. SHT. 1 OF 2<br>SF 4532-6005  |       |

# ENG. FILE COPY

S/M DESIGN STANDARDS

DRAWING NO.  
SF4532-6005

| REQUIREMENTS   | RATINGS                          | REQUIREMENTS                                       | RATINGS   |
|--|----------------------------------|--|---|
| Nominal Impedance (ohms)   | 50                               | Vibration  | MIL-STD-202<br>Method 204<br>Cond. D (20G's)                  |
| Frequency Range (ghz)  | DC - 15.0                        |  |   |
| Voltage Rating (max. vrms)   | 335                              | Shock  | MIL-STD-202<br>Method 213<br>Cond. I (100G's)                 |
| Temperature Rating (degrees centigrade) 2).  | -65° to + 105°                   |  |   |
| VSWR (max.)  | $1.10 + .010 \times \text{FGHZ}$ | Temperature<br>Cycling                             | MIL-STD-202<br>Method 107 - Cond. B<br>(-65°C to +115 ° C)    |
| Insertion Loss (dB max.)   | .05 $\times \sqrt{\text{FGHZ}}$  |  |   |
| RF Leakage (min. dB down)  | 100 dB-FGHZ                      | Corrosion  | MIL-STD-202<br>Method 101<br>Cond. B (48 Hrs.)                |
| RF High Potential (max. vrms)  | 670 at 5MHZ                      |  |   |
| Dielectric Withstanding Voltage (max. vrms)  | 1000                             | Moisture<br>Resistance                             | MIL-STD-202<br>Method 106<br>Less Step 7b                     |
| Insulation Resistance (min. megohms)   | 5000                             |  |   |
| Contact Resistance:<br>Center Contact (max. milliohms)<br>Outer Contact (max. milliohms) | 1.5<br>.2                        | Barometric Pressure<br>(Altitude)                  | MIL-STD-202<br>Method 105 - Cond. C<br>(70,000 ft) (250 vrms) |
| Center Contact Axial Forces:<br>Insertion (max. ounces)<br>Withdrawal (min. ounces)      | 24<br>2                          |  |   |
| Connector Durability (min. cycles)   | 500                              | CAPTIVATION:<br>Center Contact<br>Min. Axial Force | 6 lbs.  |
| Connector Engagement & Disengagement<br>(max. inch lbs.)                                 | 2.0                              |  |   |

REMARKS: 1) Recommended Mating Torque: 6 - 10 Inch Pounds.  
2) Connector is Derated from 165°C When used with Cable Specified.

TITLE P TNC JACK 4 HOLE STRAIGHT FLANGE MOUNT  
FOR .085 S.R. CABLE SOLDER CLAMP ATT.

**SOLITRON/MICROWAVE**  
PORT SALERNO, FLORIDA

SHT. 2 of 2

DRAWING NO.  
SF4532-6005

REV.  
A