

TWO - WAY

1 to 18 GHz



SPECIFICATIONS

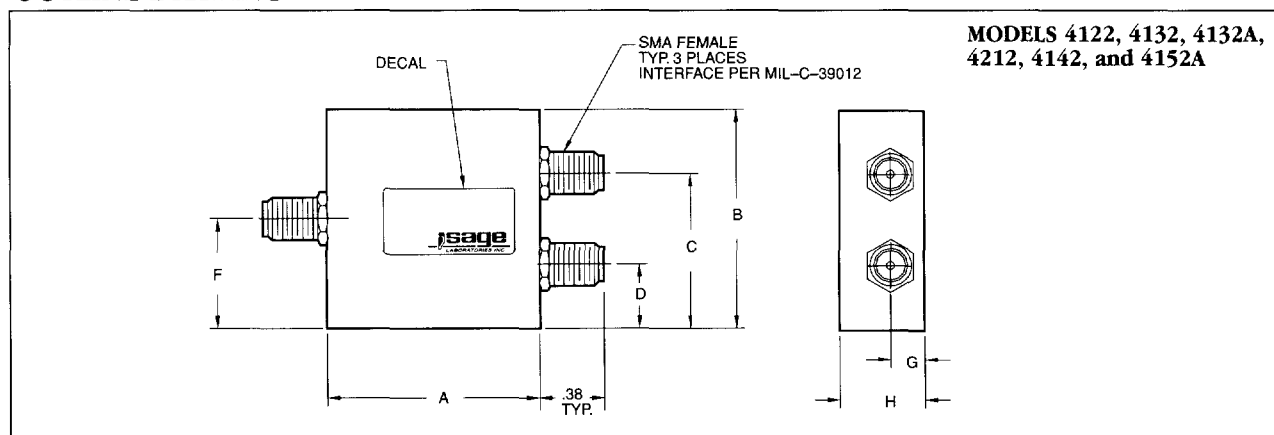
Frequency range (GHz)	Insertion loss max (dB) @ f (GHz)	VSWR max input/output	Isolation min (dB)	unbalance max (dB)	Amplitude unbalance max (degrees)	Phase Average power ¹ (W) @ 1 GHz	Model
1-2	0.3	1.35/1.35	20	0.2	2	15	4122
2-4	0.3	1.35/1.35	20	0.2	3	5	4132
2.3-4.4	0.4	1.25/1.30	20	0.2	3	2	4132A
3.7-4.2	0.4	1.25/1.30	20	0.2	3	2	4212
4-8	0.4	1.35/1.35	20	0.3	3	2	4142
7.2-10.8	0.6	1.50/1.35	20	0.4	4	2	4152A
2-18	(Note 2)	1.50/1.40	17 (2-3 GHz) 20 (3-5 GHz) 24 (5-18 GHz)	0.2	2 (2-3 GHz) 3 (3-5 GHz) 5 (5-18 GHz)	5	4232

All connectors are SMA female.

NOTES:

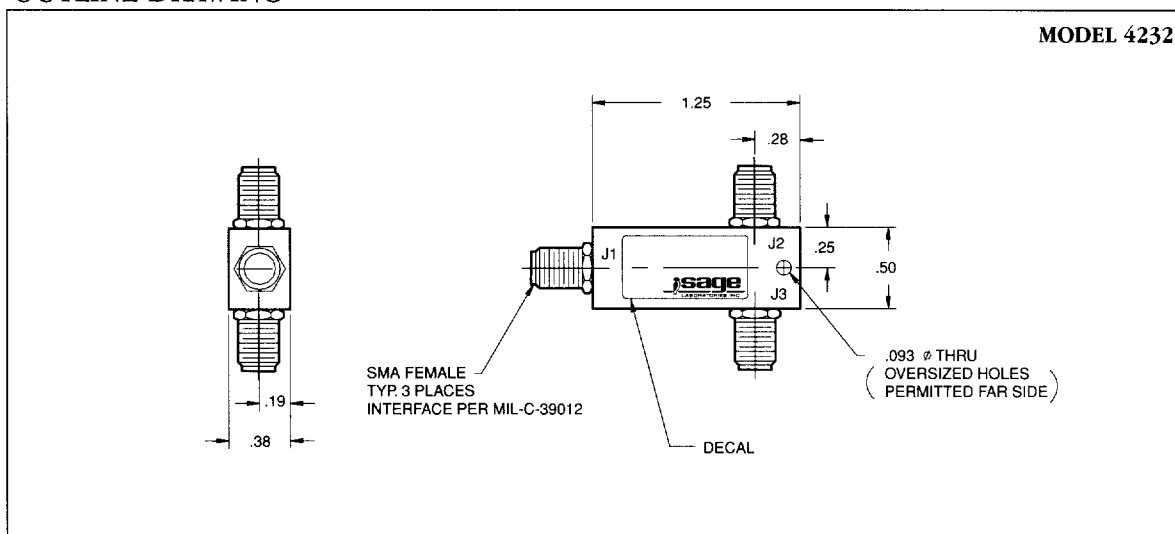
1. Input power with 1.5 max output system VSWR.
2. $0.6 + .07 \times f(\text{GHz})$ dB max.

OUTLINE DRAWING



Model	A	B	C	D	E	F	G	H
4122	4.00 (10,16)	1.30 (3,30)	.92 (2,34)	.38 (0,96)	.38 (0,96)	.65 (1,65)	.20 (0,51)	.50 (1,27)
4132	2.20 (5,58)	1.30 (3,30)	.92 (2,34)	.38 (0,96)	.38 (0,96)	.65 (1,65)	.20 (0,51)	.50 (1,27)
4132A	1.98 (5,03)	1.16 (2,95)	.85 (2,16)	.31 (0,79)	.38 (0,96)	.58 (1,47)	.25 (0,64)	.50 (1,27)
4212	1.98 (5,03)	1.16 (2,95)	.85 (2,16)	.31 (0,79)	.38 (0,96)	.58 (1,47)	.25 (0,64)	.50 (1,27)
4142	1.60 (4,06)	1.00 (2,54)	.70 (1,78)	.30 (0,76)	.38 (0,96)	.50 (1,27)	.20 (0,51)	.50 (1,27)
4152A	1.42 (3,61)	1.16 (2,95)	.85 (2,16)	.31 (0,79)	.38 (0,96)	.58 (1,47)	.25 (0,64)	.50 (1,27)

OUTLINE DRAWING



Model	A	B	C	D	E	F	G	H
4232	1.25 (3,17)	.50 (1,27)	.25 (0,64)	.30 (0,76)	.28 (0,71)	.30 (0,76)	.33 (0,96)	.19 (0,48)