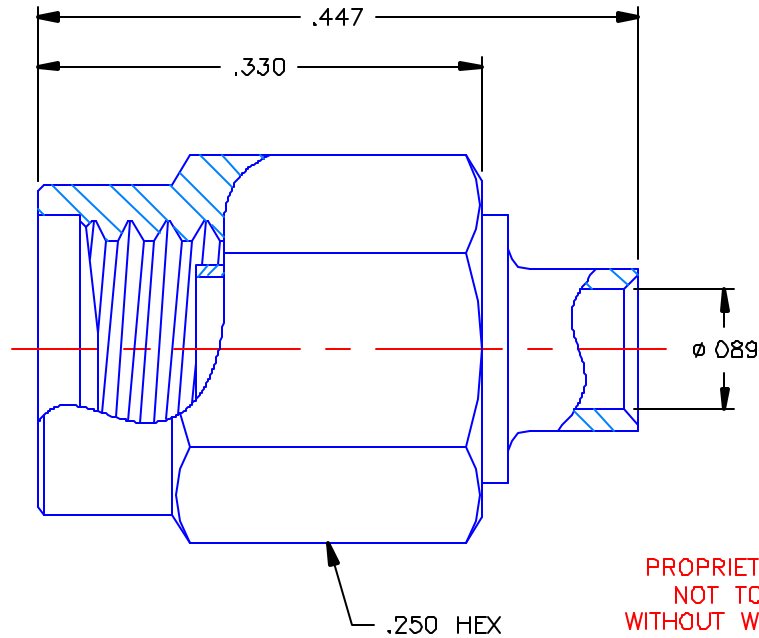


REVISIONS			
REV	DESCRIPTION	DATE	APPROVED
-	INITIAL RELEASE	04/05/02	D.N.



PROPRIETARY INFORMATION
NOT TO BE RELEASED
WITHOUT WRITTEN PERMISSION
FROM AN AUTHORIZED
REPRESENTATIVE OF
APPLIED ENGINEERING PRODUCTS


NOTES:

MATERIALS:

1. BODY & COUPLING NUT = STAINLESS STEEL PER ASTM A582, ALLOY 303, CONDITION "A".
2. GASKET = SILICONE RUBBER PER ZZ-R-765, CLASS 2B, GRADE 65-75.

FINISHES:

1. BODY = GOLD PLATE PER MIL-G-45204, TYPE II, CLASS 0, GRADE C, OVER .000050 TO .00010 STRESS FREE NICKEL PER QQ-N-290.
2. COUPLING NUT = PASSIVATE PER QQ-P-35, TYPE VI.

UNLESS OTHERWISE SPECIFIED DIMENSIONS ARE IN INCHES TOLERANCES ON		DWN: D.N.	DATE 03/28/02	 APPLIED ENGINEERING PRODUCTS 104 John W. Murphy Dr. New Haven, CT 06513
		CHKD: A.D.M.	DATE 04/05/02	
DECIMAL	ANGLE	APVD: D.J.C.	DATE 04/05/02	SSMA STRAIGHT CABLE PLUG DIRECT SOLDER TYPE FOR .085 S/R CABLE
REFERENCE:		MATERIALS & FINISHES: SEE NOTES		SIZE A
ORIGINATOR: D.N. DATE: 03/28/02		SCALE 7:1		FSCM NO. 19505
		DWG NO. 9763-1063-010		REV -
		SHEET 1 OF 1		

9763-1063-010