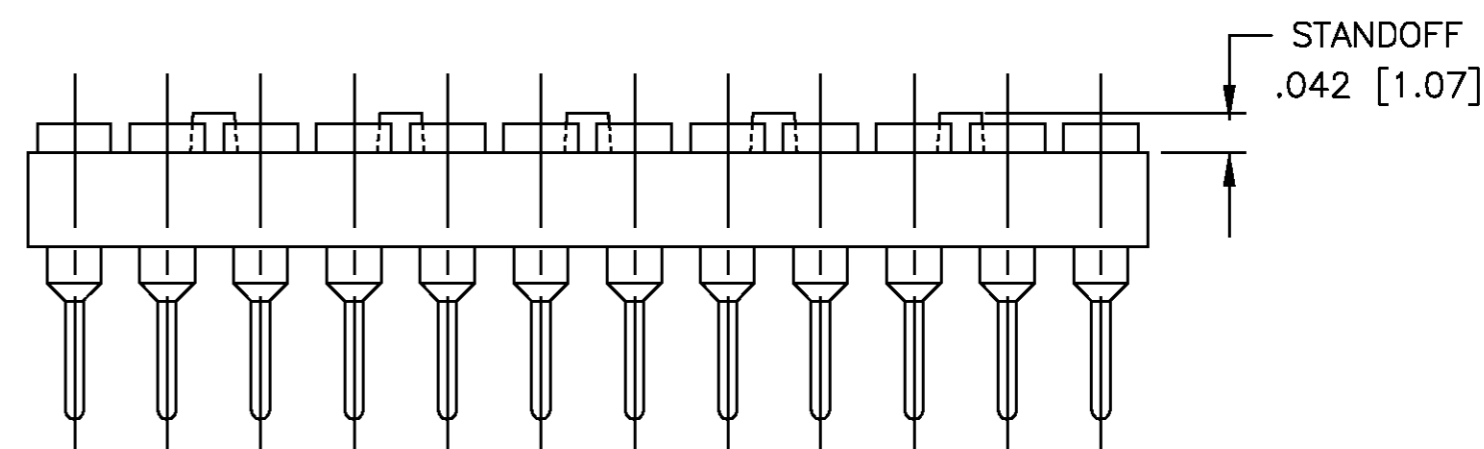
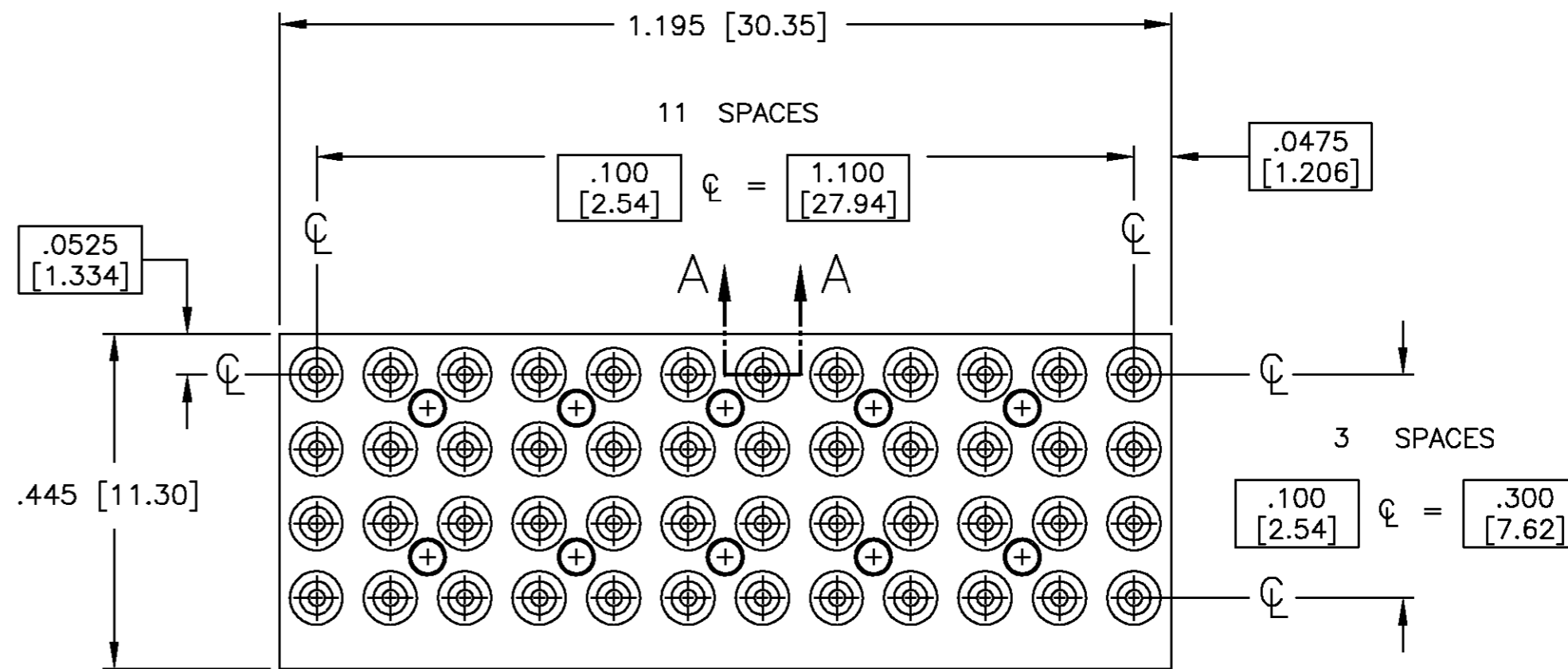
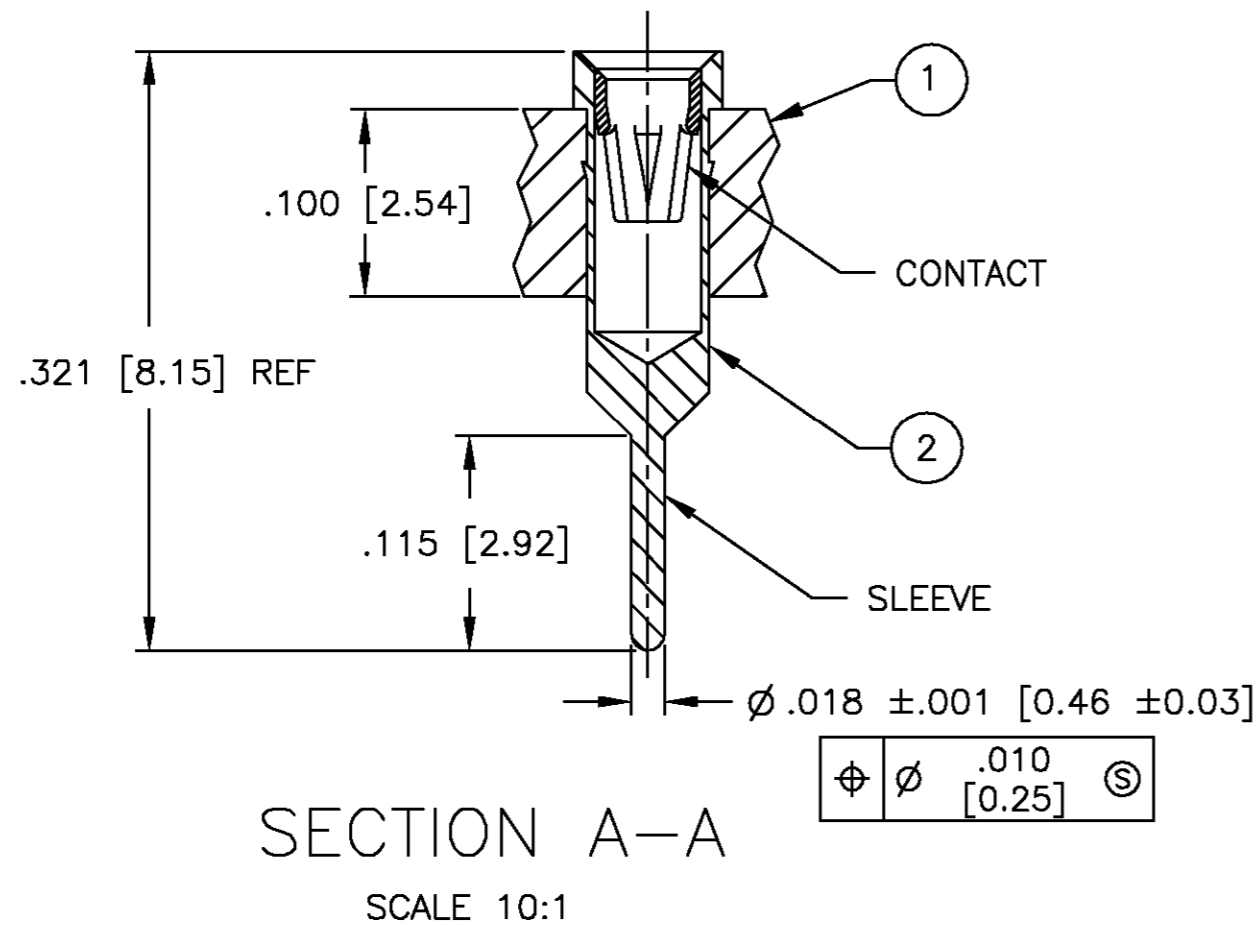


THIS DRAWING IS UNPUBLISHED. RELEASED FOR PUBLICATION .19
 © COPYRIGHT 19 BY AMP INCORPORATED. ALL RIGHTS RESERVED.

LOC		DIST		REVISIONS			
P	LTR	DESCRIPTION	DATE	DWN	APVD		
AG	97	C	ADD 1--4, PER NPR 99-6	09SEP99	LM	GR	



- TOLERANCE NON ACCUMULATIVE.
- SLEEVE ASSEMBLY FITS PCB HOLE SIZE: .035 ±.003 [0.89 ±0.08] DIA.
- CONTACT ACCEPTS .025 [0.64] SQ OR .030 ±.003 [0.76 ±0.08] DIA ROUND LEAD.
- SLEEVE MATERIAL: BRASS CDA C36000.
- SLEEVE PLATING:
 - 5A .000005-.000015 [0.00013-0.00038] GOLD PER MIL-G-45204, TYPE II, GRADE C, OVER .000030-.000070 [0.00076-0.00178] DULL NICKEL PER QQ-N-290, CLASS 2 OVER .000010-.000040 [0.00025-0.00102] MATTE COPPER PER MIL-C-14550 OR
 - 5B .000150-.000250 [0.00381-0.00635] BRIGHT 93/7 TIN LEAD PER MIL-P-81728 OVER .000030-.000070 [0.00076-0.00178] DULL NICKEL PER QQ-N-290, CLASS 2 OVER .000010-.000040 [0.00025-0.00102] MATTE COPPER PER MIL-C-14550.
- CONTACT MATERIAL: BERYLLIUM COPPER CDA C17200.
- CONTACT PLATING:
 - 7A .000030 [0.00076] MIN GOLD PER MIL-G-45204, TYPE II, GRADE C OVER .000030-.000070 [0.00076-0.00178] DULL NICKEL PER QQ-N-290, CLASS 2 ON HEAT TREATED CONTACT PER MIL-H-7199A OR
 - 7B .000010 [0.00025] MIN GOLD PER MIL-G-45204, TYPE II, GRADE C OVER .000030-.000070 [0.00076-0.00178] DULL NICKEL PER QQ-N-290, CLASS 2 ON HEAT TREATED CONTACT PER MIL-H-7199A OR
 - 7C .000100-.000200 [0.00254-0.00508] BRIGHT 93/7 TIN LEAD PER MIL-P-81728 OVER .000010-.000040 [0.00025-0.00102] MATTE COPPER PER MIL-C-14550, ON HEAT TREATED CONTACT PER MIL-H-7199A OR
 - 7D .000300-.000400 [0.00762-0.01016] BRIGHT 60/40 TIN LEAD PER MIL-P-81728 OVER .000050-.000100 [0.00127-0.00254] DULL NICKEL PER QQ-N-290, CLASS 2 OVER .000010-.000040 [0.00025-0.00102] MATTE COPPER PER MIL-C-14550.
- CONTACT RATING: 3 A MAX VDC.
CONTACT RESISTANCE: 15 mOHM MAX (100 ma AND 50 mV MAX).
- INSULATION RESISTANCE: 5000 MEGO MIN MEASURED FROM PIN TO PIN AT 500 V DC.
- OPERATING TEMPERATURE: GOLD PLATED CONTACT -55°C TO +125°C
TIN PLATED CONTACT -40°C TO +105°C.

- CARRIER MATERIAL:
 - 11A THERMOPLASTIC POLYESTER (PBT) RATED 94V-0 BLACK COLOR.
 - 11B BROWN GLASS FILLED (PBT)

12. VALUES IN BRACKETS ARE METRIC EQUIVALENTS.

PRELIMINARY	5B/7C	TIN LEAD/TIN LEAD	544844-2	11B	4-544651-6	1-545092-4
	5B/7C	TIN LEAD/TIN LEAD	544844-1	11A	4-544651-6	545092-4
		PLATING	1 CARRIER NO		2 SLEEVE ASSY NO	PART NO.
			QTY = 1		QTY = 48	

THIS DRAWING IS A CONTROLLED DOCUMENT.		DWN	RS	10/11/93	AMP AMP Incorporated Harrisburg Pa 17105-3608
DIMENSIONS: INCHES		CHK	RLM	9-15-94	
TOLERANCES UNLESS OTHERWISE SPECIFIED:		APVD	DJS	9-15-94	
0 PLC ± - 1 PLC ± - 2 PLC ± - 3 PLC ± .005 [0.13] 4 PLC ± - ANGLES ± 0°30'		PRODUCT SPEC	NAME		
MATERIAL NOTED		APPLICATION SPEC	PGA SOCKET		RESTRICTED TO
		WEIGHT	A2 00779 C-545092		
		CUSTOMER DRAWING	SCALE	5:1	SHEET 1 OF 1

Current Brand View

AMP

[View All Tyco Electronics Brands](#)

Click to activate links to all other products

Sockets

PGA Sockets

AMP 545092-4 -- 1 of 1 products [Active](#) [Active](#)

(Tyco Electronics P/N: 545092-4)

	Sales Information	AMP ACES	Step Search Screen
		Related Documents	General Information
		Pricing	Product Availability

Please use the customer drawing for all design activity.

- Customer Drawing: 545092, Rev. C

Document Title: PGA SOCKET

[200151.pdf](#) [200151.pdf](#) (74K)

Searchable Features:

Brand:	AMP
Insertion Force:	Low
No. of Positions:	48
PCB Mount Style:	Thru Hole
Grid Size:	12x4
Grid Spacing (mm [in]):	Standard: 2.54 x 2.54 [.100 x .100]
Chip Compatibility:	Other
Application:	Production
Frame Style:	Open
Contact Style:	Screw Machine
Contact Material:	Beryllium Copper
Contact Mating Area Plating:	Bright Tin Lead over Copper
Sleeve Material:	Brass

Other Properties:

Housing Color:	Black
Housing Material:	Thermoplastic Polyester (PBT)
Housing Flammability Rating:	UL 94V-0
Standoff Height (mm [in]):	1.07 [.042]
Housing Material Temperature:	High
Leg Style:	Standard

- [Home](#)
- [Part Number Search](#)
- [Text Search](#)
- [Alternate Part Search](#)
- [Multiple Part Comparison](#)
- [Alphabetical Search](#)
- [Brand Search](#)
- [Industry Product Search](#)
- [Product Type Search](#)
- [Product Family Search](#)
- [Competitor Cross Reference](#)
- [Document Number Search](#)
- [Lead Free Solutions](#)
- [Help/Glossary](#)

Termination Post Length (mm [in]):	2.92 [.115]
Heat Sink Attachment:	No
Socket Identifier:	None
Profile:	Standard

[Copyright](#) and [Privacy Statement](#)

Visit [Tyco International, Ltd.](#)

[Products](#) | [eCatalog](#) | [Brands](#) | [Industries](#) | [eCommerce](#) | [Customer Service](#) | [About](#) | [Home](#)