

SPECIFICATION

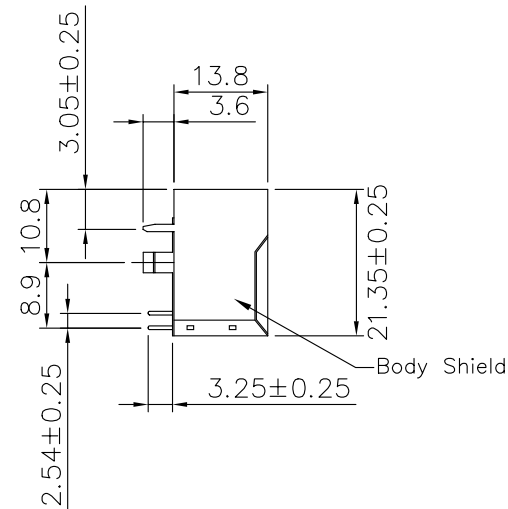
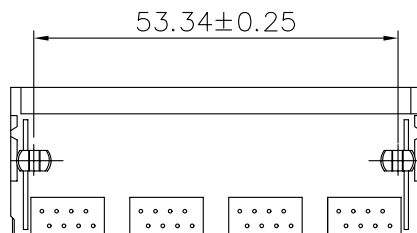
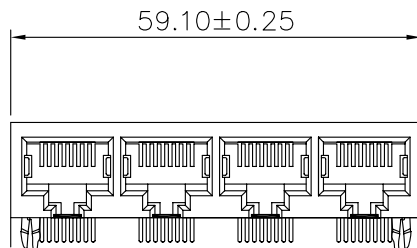
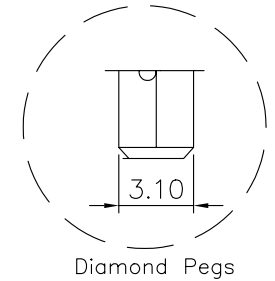
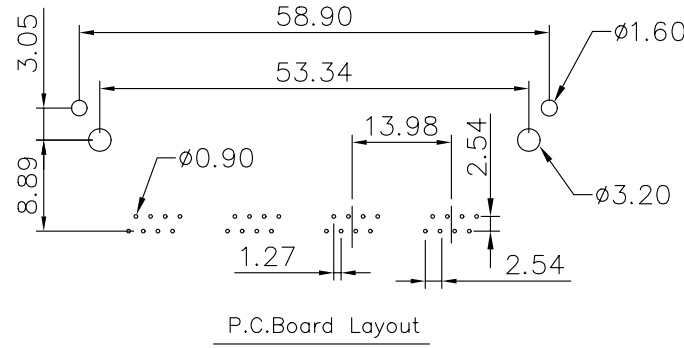
Housing: PBT Polyester UL 94V-0

Mixed Glass Fiber

Contact:  $\phi 0.46$ mm Phosphor Bronze

Gold Plated 6u"

Metal Shield: 0.25mm Thick Copper Alloy  
Tin/Lead Plated



**AUK** A NUMBER OF AUK GROUP  
**太聯事業股份有限公司**  
AUK CONTRACTORS CO., LTD.

DRAWING No.  
MJF0808X04F  
X06A4

APPROVED BY	MEI
CHECKED BY	RAN
DRAWING BY	HZF

UNLESS OTHERWISE SPECIFIED  
TOLERANCES ARE  
.X ±0.38  
.XX ±0.25  
.XXX

SCALE NONE

REV. A

UNIT mm

AREA

REVISIONS

CHK

DATE