

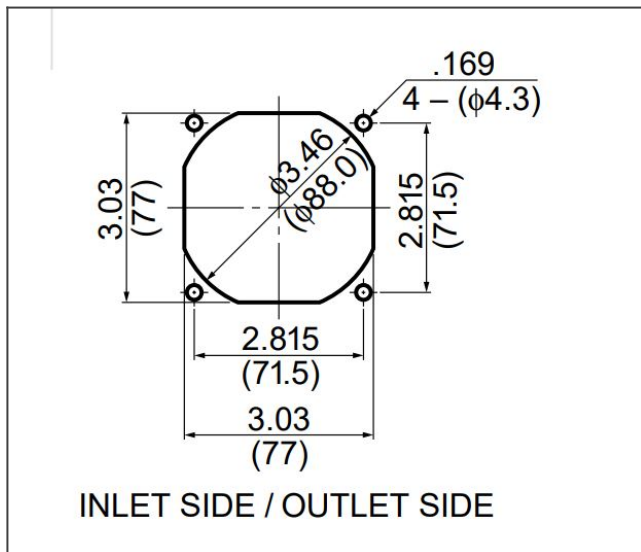
**General Specifications**

Motor Structure: Shaded Pole Induction Motor  
 Motor Protection: Impedance Protection  
 Insulation Resistance: 10M Ohm or over with DC500V Megger  
 Dielectric Withstand Voltage: AC 700V 1s  
 Allowable Ambient Temperature Range:  
 -10 degree C ~ +70 degree C (Operating)  
 -40 degree C ~ +70degree C (Storage)  
 (non-condensing environment)

**order part 3110PS-12W-B30-A00\_50Hz Ball Bearing Fan AC Axial Fans**



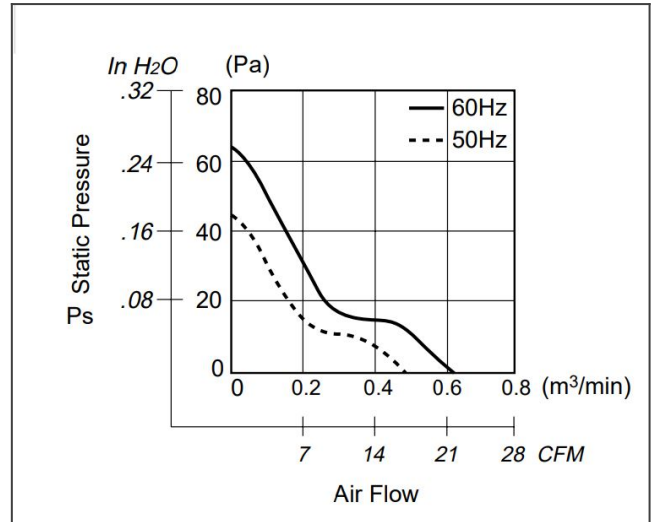
**3110PS panel cut out**



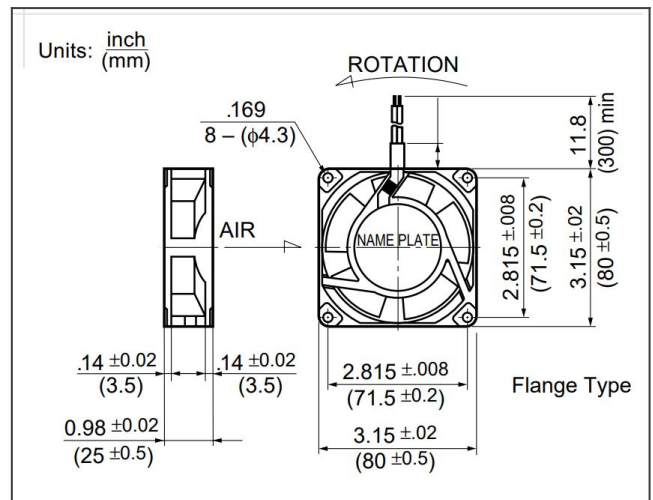
**Material**

Casing: Aluminum Black Painting  
 Impeller: Polycarbonate (Glass Fiber-containing)  
 Lead Wire or Terminal: UL3266, AWG22 CSA CL1252

**3110PS characteristics curve**



**3110PS product drawing**



## Detailed Specifications

<b>Expected Life:</b>	*Failure rate 10% 25deg.C 50,000 hours
<b>Nominal Voltage:</b>	115[V]
<b>Frequency:</b>	50[Hz]
<b>Starting Voltage:</b>	65[V]
<b>AC Fans:</b>	Ball Bearing Fan
<b>Current:</b>	0.09[A]
<b>Input Power (+10% - 20%):</b>	6[V]
<b>Speed:</b>	2600[ $\text{min}^{-1}$ ]
<b>Max. Air Flow:</b>	0.46[m <sup>3</sup> /min]
<b>Max. Air Flow:</b>	16.2[CFM]
<b>Max. Static Pressure:</b>	39.2[Pa]
<b>Max. Static Pressure:</b>	0.15[In H <sub>2</sub> O]
<b>Noise:</b>	28[dB]
<b>Fan Size:</b>	80[mm]
<b>Fan Width:</b>	25[mm]
<b>Mass:</b>	220[g]