



LEDTRONICS, Inc

TELE: 213-676-7996  
FAX: 213-676-0108

(7.62mm) SINGLE DIGIT 7 SEGMENT  
**0.3" NUMERIC DISPLAYS**  
STD RED, HI-RED, HI-EFF RED/YELLOW/GREEN

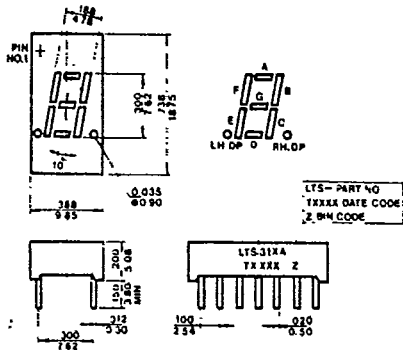
LEDTRONICS PART NO. LTS- ALL RNDP				LED RADIATION COLOR	ABSOLUTE MAXIMUM RATINGS Ta=25°C					ELECTRO-OPTICAL CHARACTERISTICS Ta=25°C					
COM. ANODE	SECOND SOURCES	COM. CATHODE	SECOND SOURCES		Pd mW	Ifp mA	If mA	Vr V	Topr °C	If mA	IvTYP µcd	VfTYP V	VfMAX V	IrMAX µA	λp nm
312RR	MAN71A	315AR	MAN74A	STD RED	55	160	25	5	-25to+85	10	450	1.7	2.0	100	655
312RP		315AP		HI-RED	40	60	15	5	-25to+85	10	600	2.1	2.8	100	647
312HR	MAN3910A	315HR	MAN3940A	HI-EFF RED	75	100	25	5	-25to+85	10	1800	2.1	2.8	100	635
312RE	MAN3610A	315RE	MAN3640A	ORANGE	75	100	25	5	-25to+85	10	1800	2.1	2.8	100	630
312RY	MAN3810A	315RY	MAN3840A	YELLOW	60	80	20	5	-25to+85	10	1300	2.1	2.8	100	585
312RG	MAN3410A	315RG	MAN3440A	GREEN	75	100	25	5	-25to+85	10	1800	2.1	2.8	100	565

NOTE-UNIVERSAL AND COMMON ANODE ±1 OVERFLOW AVAILABLE

PACKAGE DIMENSIONS

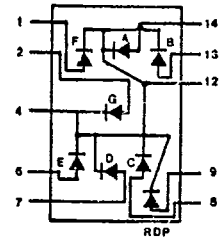
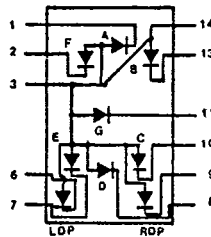
LTS-312A/313A/315A

INTERNAL CIRCUIT DIAGRAM



LTS-312A

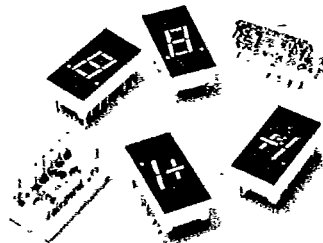
LTS-315A



NOTE: All dimensions are in  $\frac{\text{inches}}{\text{millimeters}}$ , tolerance is  $\frac{0.010''}{0.25\text{mm}}$  unless otherwise noted.

PIN FUNCTION

PIN NO.	CONNECTION	
	LTS 312A	LTS 315A
1	CATH A	ANODE F
2	CATH F	ANODE G
3	COM.ANODE	NO PIN
4	NO PIN	COM.CATH
5	NO PIN	NO PIN
6	CATH L.D.P.	ANODE E
7	CATH E	ANODE D
8	CATH D	ANODE C
9	CATH R.D.P.	ANODE D.P.
10	CATH C	NO PIN
11	CATH G	NO PIN
12	NO PIN	COM.CATH
13	CATH B	ANODE B
14	COM.ANODE	ANODE A



NOTE:  
1) PIN 3 & 14 ARE INTERNALLY CONNECTED  
2) PIN 4 & 12 ARE INTERNALLY CONNECTED