



Raychem

TE Internal #: 2162773001

Hook Up Wire, Spec 55, 600V Voltage Rating, Blue Wire Color, 22AWG Wire Size, Operating Temperature Range -65 – 200 °C

[View on TE.com >](#)

Wire & Cable > Hook Up Wire



Cable Type: **Spec 55**

Voltage Rating: **600 V**

Wire Color: **Blue**

Insulation Material: **Modified Radiation Cross-linked ETFE Polymer**

Conductor Material: **Silver-Coated High Strength Copper Alloy**

Features

Product Type Features

Cable Type	Spec 55
------------	---------

Electrical Characteristics

Voltage Rating	600 V
----------------	-------

Body Features

Wire Color	Blue
Insulation Material	Modified Radiation Cross-linked ETFE Polymer
Conductor Material	Silver-Coated High Strength Copper Alloy

Dimensions

Wire Size	22 AWG
-----------	--------

Usage Conditions

Operating Temperature Range	-65 – 200 °C
-----------------------------	--------------

Product Compliance

[For compliance documentation, visit the product page on TE.com>](#)

EU RoHS Directive 2011/65/EU	Compliant
EU ELV Directive 2000/53/EC	Compliant
China RoHS 2 Directive MIIT Order No 32, 2016	No Restricted Materials Above Threshold



EU REACH Regulation (EC) No. 1907/2006

Current ECHA Candidate List: JUN 2020 (209)

Candidate List Declared Against: JUN 2020 (209)

Does not contain REACH SVHC

Halogen Content

Out of Scope - excluded from Halogen requirements

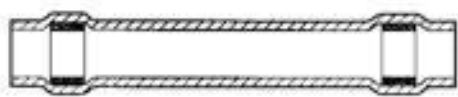
Solder Process Capability

Not applicable for solder process capability

Product Compliance Disclaimer

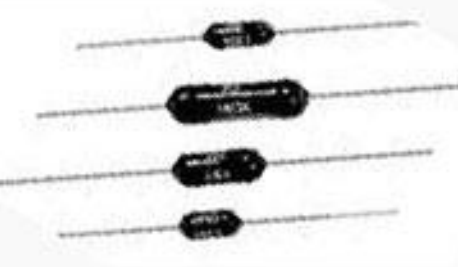
This information is provided based on reasonable inquiry of our suppliers and represents our current actual knowledge based on the information they provided. This information is subject to change. The part numbers that TE has identified as EU RoHS compliant have a maximum concentration of 0.1% by weight in homogenous materials for lead, hexavalent chromium, mercury, PBB, PBDE, DBP, BBP, DEHP, DIBP, and 0.01% for cadmium, or qualify for an exemption to these limits as defined in the Annexes of Directive 2011/65/EU (RoHS2). Finished electrical and electronic equipment products will be CE marked as required by Directive 2011/65/EU. Components may not be CE marked. Additionally, the part numbers that TE has identified as EU ELV compliant have a maximum concentration of 0.1% by weight in homogenous materials for lead, hexavalent chromium, and mercury, and 0.01% for cadmium, or qualify for an exemption to these limits as defined in the Annexes of Directive 2000/53/EC (ELV). Regarding the REACH Regulation, the information TE provides on SVHC in articles for this part number is based on the latest European Chemicals Agency (ECHA) 'Guidance on requirements for substances in articles' posted at this URL: <https://echa.europa.eu/guidance-documents/guidance-on-reach>

Compatible Parts




TE Model / Part # D17660-000
D-200-82

Customers Also Bought




TE Model / Part #8-1879642-3
H8 1K11 0.1% 5PPM



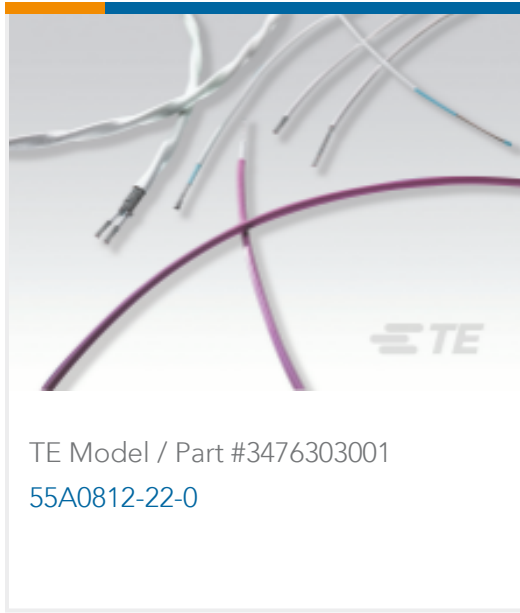
TE Model / Part #F733323001
55D0111-22-9



TE Model / Part #3-87962-1
64 MODII HORZ DR CE 100CL/115



TE Model / Part #2823013001
44A0211-8-9



Documents

Product Drawings

[55A0114-22-6](#)

English

Datasheets & Catalog Pages

[1654025_Sec9_SPEC55](#)

English

[Raychem Wire and Cable Quick Reference Guide](#)

English