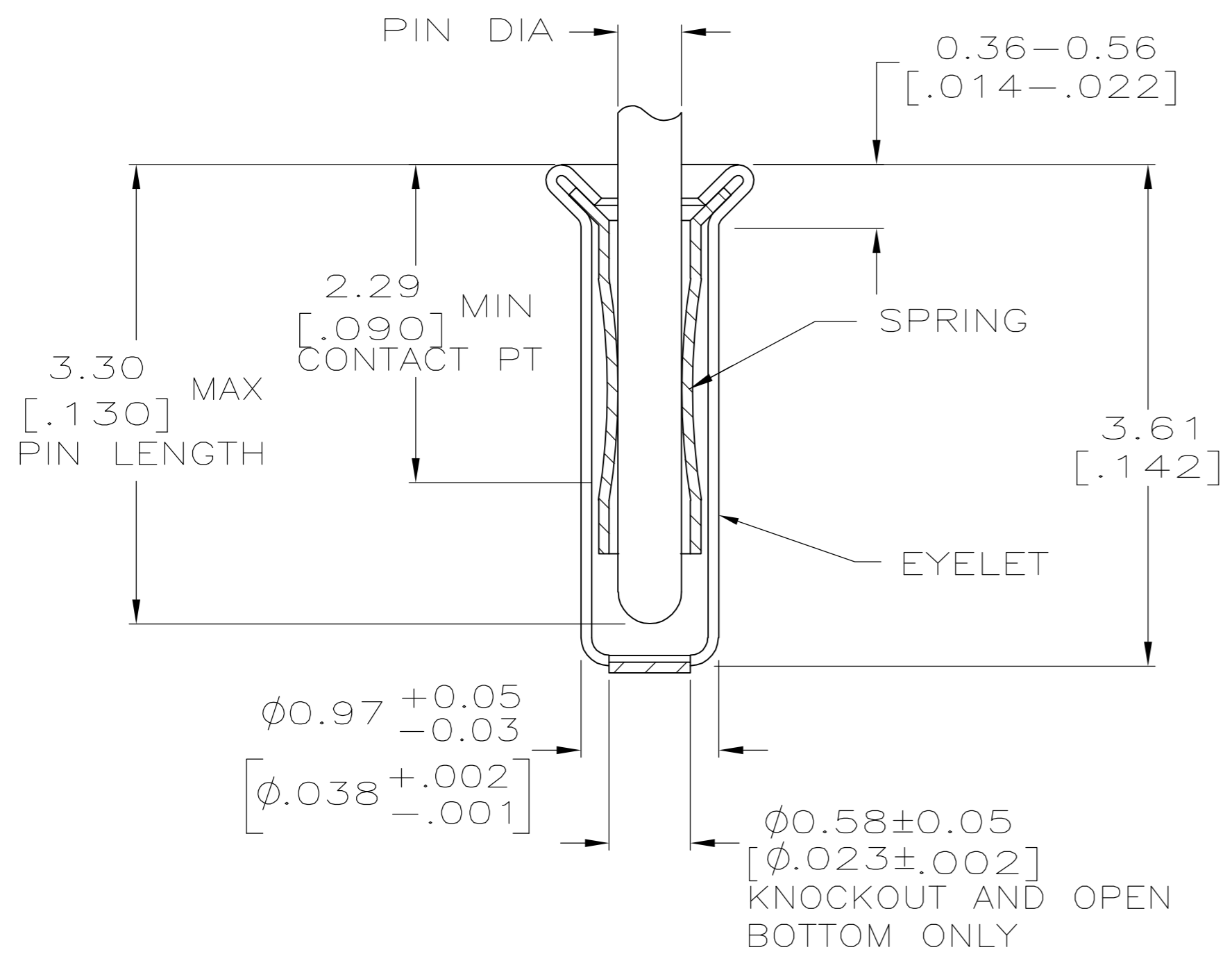
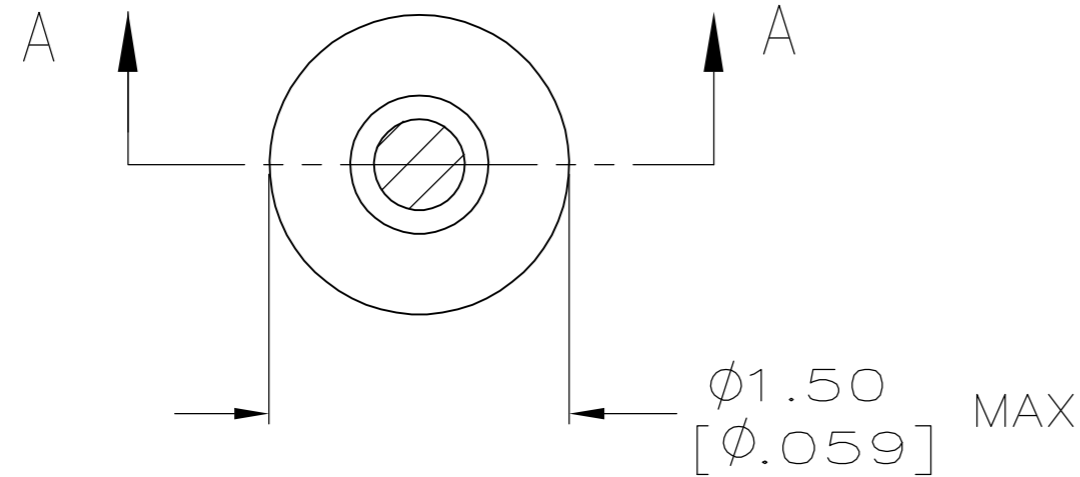


THIS DRAWING IS UNPUBLISHED. RELEASED FOR PUBLICATION  
 © COPYRIGHT BY TYCO ELECTRONICS CORPORATION. ALL RIGHTS RESERVED.

LOC	DIST	REVISIONS			
P	LTR	DESCRIPTION	DATE	DWN	APVD
FT	G4	CB3	REVISED PER ECO-06-018765	13APR07	DH DB

- 1. TIN PER MIL-T-10727 OR TIN LEAD .000254 [.000100] MIN THK.
- 2. GOLD PER MIL-G-45204, TYPE II, 0.00076 [.000030] MIN THK OVER NICKEL PER QQ-N-290 0.00028 [.000011] MIN THK ON CONTACT AREA.
- 3. GOLD FLASH PER MIL-G-45204, TYPE II, 0.13µm [.000005] MIN THK. OVER NICKEL PLATE PER QQ-N-290 0.51µm-1.52µm [.000020-.000060] EXT THK.
- 4. RECOMMENDED HOLE SIZE, PLATED OR UNPLATED:  
 MACHINE INSERTION: 1.04±0.05 [.041±.002]  
 HAND INSERTION: 1.02 <sup>+0.10</sup>/<sub>-0.00</sub> [.040 <sup>+0.004</sup>/<sub>-.000</sub>]
- 5. APPLICATION TOOL PART NUMBER:  
 MACHINE NO. 682127-2  
 INSERTION HEAD NO. 682039-1
- 6. TO INSURE PROPER SPRING TENSION DO NOT EXCEED A 0.10 [.004] DIFFERENCE IN PIN DIA WHEN CHANGING TO A SMALLER PIN.
- 7. BOTTOM PLUG KNOCKOUT TOOL PART NUMBER 69729 WITH TIP PART NUMBER 69728.
- 8. MATERIAL: SPRING: BERYLLIUM COPPER (QQ-C-533)  
 EYELET: COPPER (QQ-C-576)



SECTION A-A

STATUS	TYPE	RECOMMENDED PIN DIA	FINISH	FINISH	PART NO
OBSOLETE	CLOSED	0.33-0.51 [.013-.020]	GOLD 3	GOLD 2	9-330808-3
OBSOLETE	CLOSED	0.33-0.51 [.013-.020]	TIN 1	TIN 1	9-330808-2
OBSOLETE	CLOSED		GOLD 3	GOLD 2	7-330808-5
OBSOLETE	CLOSED		TIN 1	TIN 1	7-330808-4
SUPSD BY 5-330808-3	KNOCKOUT	0.46-0.51 [.018-.020]	GOLD 3	GOLD 2	7-330808-3
SUPSD BY 3-330808-8	KNOCKOUT	0.46-0.51 [.018-.020]	TIN 1	TIN 1	7-330808-2
SUPSD BY 4-330808-7	OPEN		GOLD 3	GOLD 2	7-330808-1
OBSOLETE	OPEN		TIN 1	TIN 1	7-330808-0
OBSOLETE	CLOSED	0.33-0.51 [.013-.020]	GOLD 3	GOLD 2	6-330808-9
OBSOLETE	OPEN	0.25-0.33 [.010-.013]	TIN 1	TIN 1	6-330808-8
OBSOLETE	OPEN	0.33-0.51 [.013-.020]	GOLD 3	GOLD 2	6-330808-7
SUPSD BY 5-330808-3	KNOCKOUT	0.33-0.51 [.013-.020]	TIN 1	GOLD 2	6-330808-5
OBSOLETE	CLOSED	0.25-0.33 [.010-.013]	TIN 1	TIN 1	5-330808-6
OBSOLETE	CLOSED	0.33-0.51 [.013-.020]	GOLD 3	GOLD 2	5-330808-4
OBSOLETE	OPEN	0.25-0.33 [.010-.013]	TIN 1	TIN 1	5-330808-3
OBSOLETE	OPEN	0.33-0.51 [.013-.020]	GOLD 3	GOLD 2	5-330808-2
OBSOLETE	OPEN	0.25-0.33 [.010-.013]	TIN 1	TIN 1	5-330808-1
OBSOLETE	OPEN	0.33-0.51 [.013-.020]	GOLD 3	GOLD 2	5-330808-0
OBSOLETE	OPEN	0.25-0.33 [.010-.013]	TIN 1	TIN 1	4-330808-8
OBSOLETE	OPEN	0.33-0.51 [.013-.020]	GOLD 3	GOLD 2	4-330808-7
OBSOLETE	OPEN	0.25-0.33 [.010-.013]	TIN 1	TIN 1	4-330808-2
OBSOLETE	OPEN	0.33-0.51 [.013-.020]	GOLD 3	GOLD 2	4-330808-1
OBSOLETE	OPEN	0.25-0.33 [.010-.013]	TIN 1	TIN 1	4-330808-0
SUPSD BY 3-330808-7	KNOCKOUT	0.33-0.51 [.013-.020]	GOLD 3	GOLD 2	4-330808-8
SUPSD BY 3-330808-7	KNOCKOUT	0.25-0.33 [.010-.013]	TIN 1	TIN 1	3-330808-8
SUPSD BY 3-330808-7	KNOCKOUT	0.33-0.51 [.013-.020]	GOLD 3	GOLD 2	3-330808-7
SUPSD BY 3-330808-7	KNOCKOUT	0.25-0.33 [.010-.013]	TIN 1	TIN 1	3-330808-1
SUPSD BY 5-330808-0	CLOSED	0.33-0.51 [.013-.020]	GOLD 3	GOLD 2	2-330808-8
SUPSD BY 5-330808-0	CLOSED	0.25-0.33 [.010-.013]	TIN 1	TIN 1	2-330808-7
OBSOLETE	CLOSED	0.33-0.51 [.013-.020]	GOLD 3	GOLD 2	2-330808-2
OBSOLETE	CLOSED	0.25-0.33 [.010-.013]	TIN 1	TIN 1	2-330808-1

THIS DRAWING IS A CONTROLLED DOCUMENT.		DWN	4-5-91	Tyco Electronics Corporation Harrisburg, PA 17105-3608
DIMENSIONS: mm [INCHES]		CHK	8-22-91	
TOLERANCES UNLESS OTHERWISE SPECIFIED:		APVD	8-22-91	
0 PLC ± - 1 PLC ± - 2 PLC ± - 3 PLC ± 0.20 [.008] 4 PLC ± - ANGLES ± - FINISH SEE TABLE		PRODUCT SPEC		
MATERIAL		R. TALLEY S. ROBERTSON R. MILLER		NAME MINIATURE SPRING SOCKET ASSEMBLY
		APPLICATION SPEC WEIGHT -		SIZE A2 CAGE CODE 00779 DRAWING NO C=330808
		CUSTOMER DRAWING		RESTRICTED TO SCALE 20:1 SHEET 1 OF 1 REV CB3