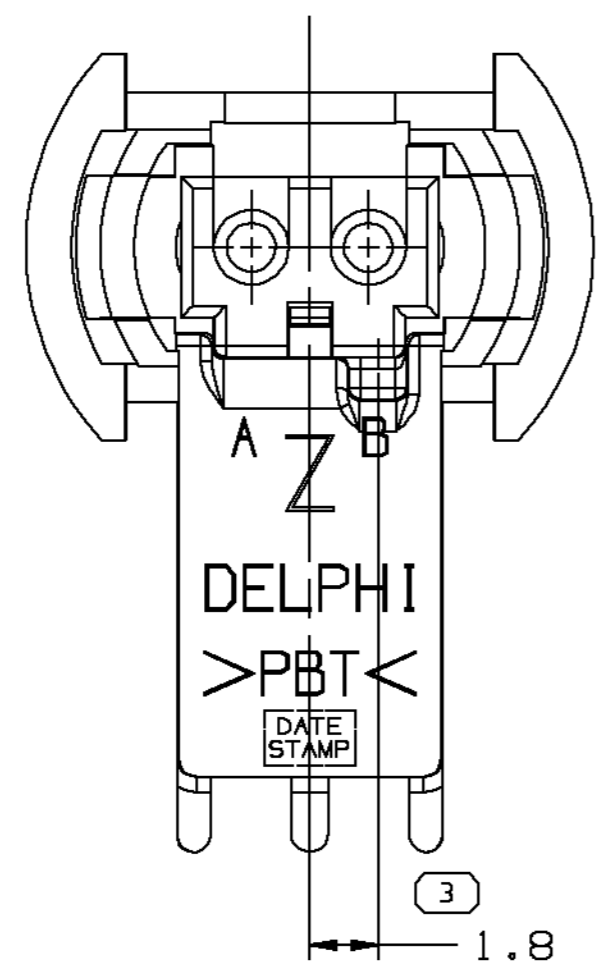
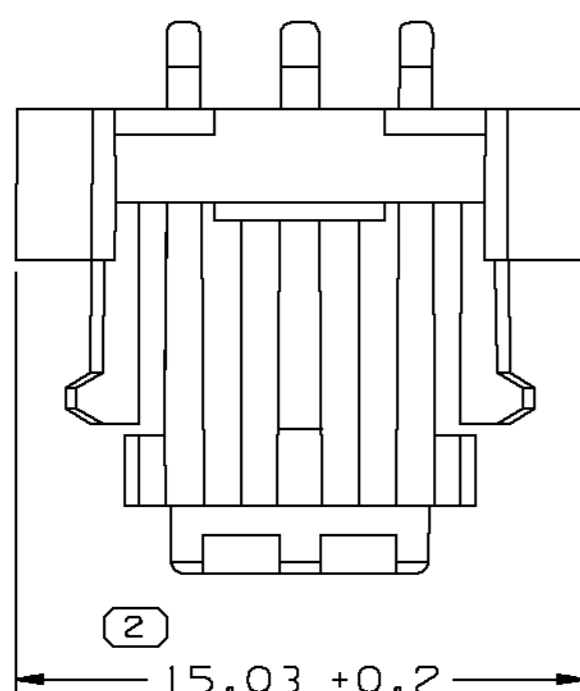


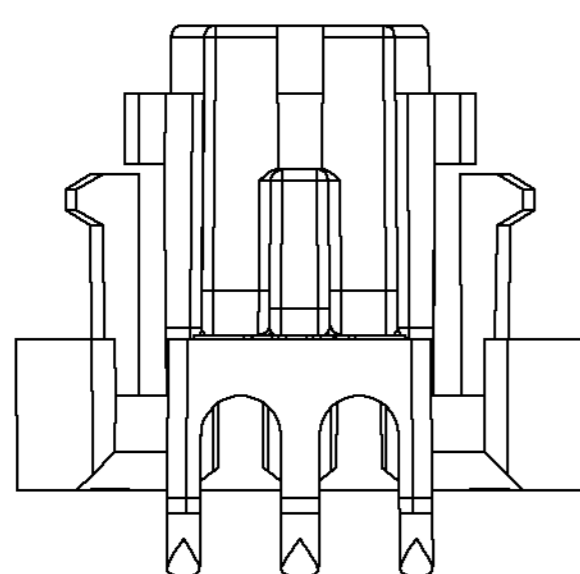
TYPE 102
SAME AS TYPE 101
EXCEPT AS SHOWN



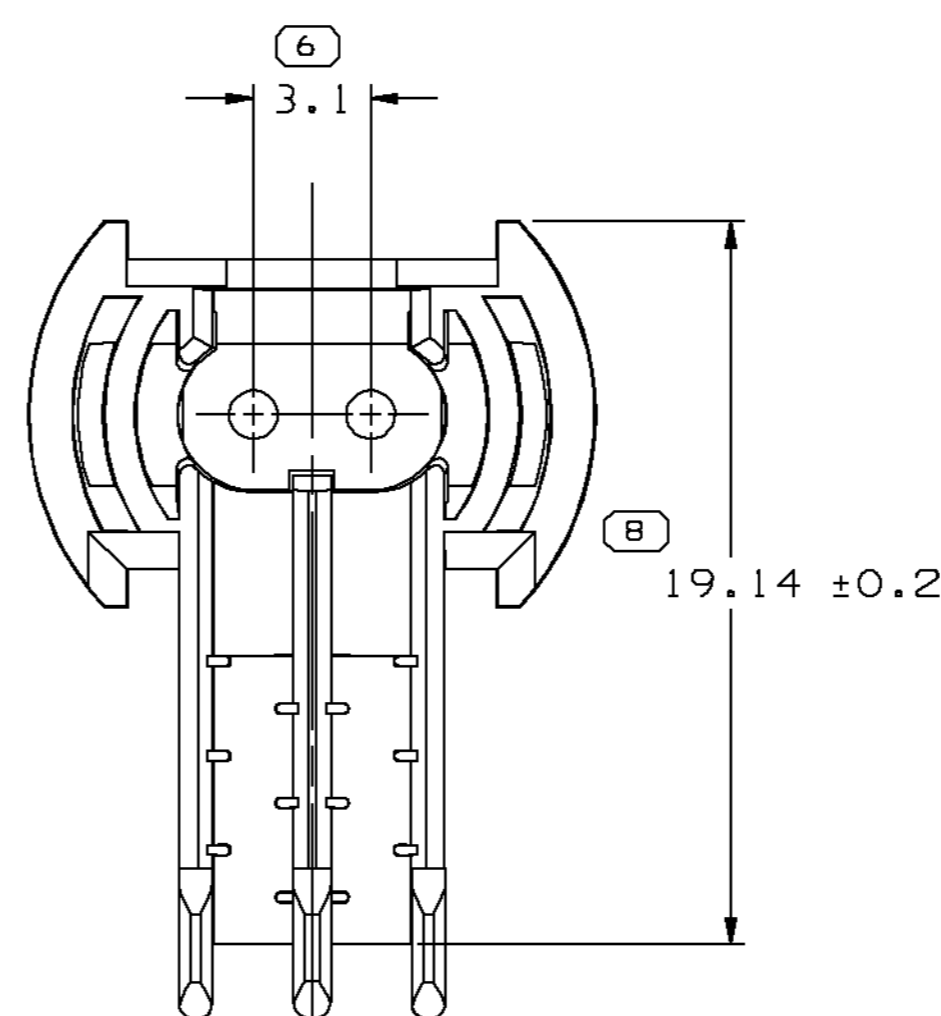
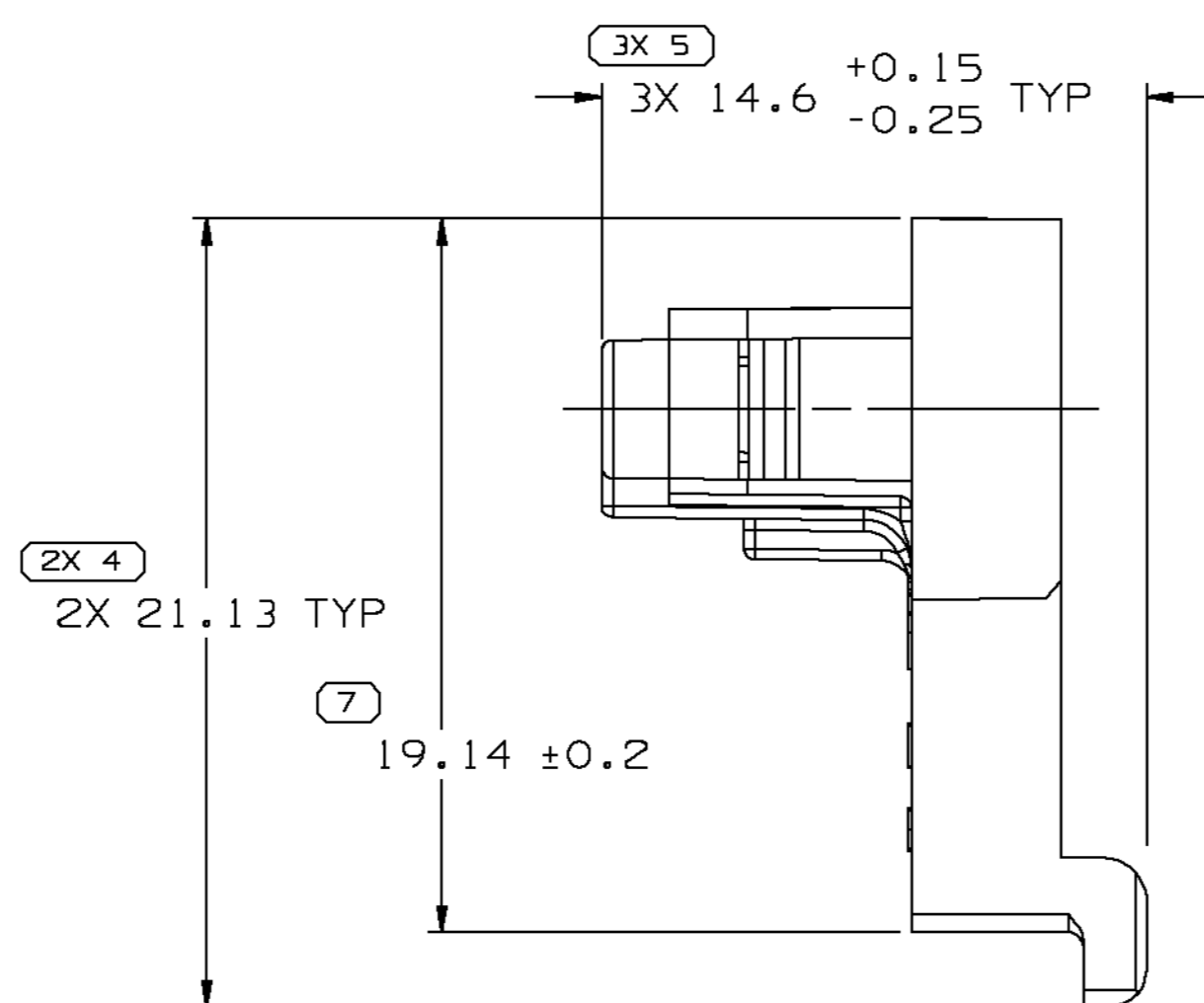
TYPE 103
SAME AS TYPE 101
EXCEPT AS SHOWN



TYPE 101



N.F.O. PERMISSIBLE
IN THESE AREAS



SYMBOL DEFINITION

A DIMENSION WITHOUT AN INSPECTION REPORT SYMBOL
() OR () DOES NOT REQUIRE INSPECTION. IT MAY BE
CONTROLLED ON THE INDIVIDUAL COMPONENT DRAWING.

TOTAL NO OF
INSPECTIONS
REQUIRED

11

() INDICATES THE DIMENSION IS SHOWN ON THE PART
DRAWING AND THE TOOL MUST BE QUALIFIED AT 80% OF
THE TOLERANCE SHOWN UNLESS SUPERSEDED BY A "TBT".

LAST NO.
USED

8

MISSING SYMBOLS

NO MISSING
SYMBOL NUMBER

DWG STATUS

DATE	STG	REV	N/P	CHG
15AP02	-	05	-	-
03JN02	-	06	-	-
04DE02	-	07	-	-
14AP03	-	08	-	-

ZONE

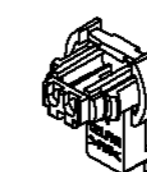
-

REVISION HISTORY

DATE	STG	REV	N/P	CHG	ZONE	REVISION HISTORY	AUTH	DR	APVD1	APVD2
15AP02	-	05	-	-	-	ALL PARTS-REVISED GRAPHICS	223458	CJP	CJP	MEF
03JN02	-	06	-	-	-	ALL PARTS - REVISED TOLERANCE 2 PLCS	225961	MAC	MAC	MEF
04DE02	-	07	-	-	-	ALL PARTS - REVISED GRAPHICS	233973	JAA	JAA	MEF
14AP03	-	08	-	-	-	ALL PARTS - ADDED RADII ADDED DIMS (3)PLCS, REVISED DIMS (6)PLCS	239455	DAD	DAD	MEF

NOTES

- UNLESS OTHERWISE SPECIFIED AND/OR INDICATED:
DIMENSIONS ARE TO FACE OF VIEW SHOWN AND
AUTOMATICALLY ROUNDED BY COMPUTER FOR INSPECTION
(SEE MATH MODEL FOR PRECISE DIMENSIONS). FOR ALL
OTHER DIMENSIONS NOT SHOWN BUT REQUIRED FOR TOOL
BUILD, SEE MATH MODEL FOR PRECISE TOOL PATH DATA.
- PARTS SHOWN ON THIS DRAWING USED IN ASSEMBLIES SHOWN
ON TAXI 15359120.
- MATERIAL RECYCLING CODE >PBT< PER SAE J1344. (1.15)(0.1) RAISED
CHARACTERS AS SHOWN TO BE LOCATED ON ANY EXTERIOR SURFACE.
OPTIONAL CONSTRUCTION TO BE NO MATERIAL RECYCLING CODE.
- MATING COMPONENTS OR EQUIVALENT:
FERRITE BEAD 15373435
CUSTOMER PART INFLATOR MODULE
- THIS PART ACCEPTS THE FOLLOWING COMPONENTS OR EQUIVALENT:
CPA COVER 15373433
TERMINAL 15373434
- (1.2)(0.1) RAISED DELPHI CORPORATE BRAND TO BE LOCATED ON ANY
EXTERIOR SURFACE, PREFERABLY VISIBLE AT FINAL ASSEMBLY.
OPTIONAL CONSTRUCTION TO BE "PED" OR NO LOGO.



DELPHI

DELPHI PACKARD ELECTRIC SYSTEMS
WARREN, OH

DWG TYPE		PART DRAWING	
STYLE			
VOLUME (CM ³)	SEE CHART	DISTR CODE	D
ROUTING		6901	
UNLESS OTHERWISE SPECIFIED			
THIS DOCUMENT IS IN ACCORDANCE WITH ASME Y14.5M-1994 AS AMENDED BY THE GM GLOBAL DIMENSIONING AND TOLERANCING ADDENDUM - 1997. ALL GEOMETRIC TOLERANCES AND RELATED DATUMS APPLY PER SAE RULE #1 PERFECT FORM AT MMC DOES NOT APPLY WHEN RELATIONSHIP BETWEEN FEATURES IS ESTABLISHED BY ORIENTATION OR LOCATION TOLERANCES. SEPARATE POSITION CALLOUTS MAY BE GAGED SEPARATELY, REGARDLESS OF DATUM REFERENCE. ALL DIMENSIONS ARE IN MILLIMETERS			
REFERENCE			

DR	DATE
APVD1 K.B. DISKO	10JAO1
APVD2 K.B. DISKO	10JAO1
APVD3 MICHAEL E. FRANCIS	12JAO1
APVD4	
APVD5	

SUBSTANCES OF CONCERN AND RECYCLED
CONTENT PER DELPHI-A 10949001

MATERIAL
SEE CHART

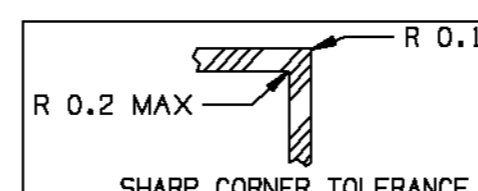
DRAWING NAME
TAXI CONN 2 F MIC/P 100W N/A

DRAWING NUMBER
15359117

SIZE	SCALE	FRAME NO	SHEET NO	STG	REV	N/P
A1	5:1	1 OF 1	1 OF 1	-	08	-

(7) PROCESS SENSITIVE DIMENSION

DIMENSIONS ENCLOSED IN () INDICATE
REFERENCE DIMENSIONS AND NO TOLERANCE
LIMITS ARE ESTABLISHED



DIMENSIONAL RANGE (MM)	CHART E1
FROM TO	
> 0	> 20
> 20	> 30
> 30	> 70
> 70	> 100
> 100	> 150
> 150	> 200
> 200	> 250
> 250	> 300
> 300	> 400
TOLERANCE UNLESS OTHERWISE SPECIFIED	
±0.15	±0.2
±0.3	±0.4
±0.5	±0.6
±0.8	±1
±1.2	±1.2
ANGULAR TOLERANCE ±2°	

THIRD ANGLE
PROJECTION

DO NOT
SCALE



USE MATH
DATA

PART NO	REV	N/P	STG	STATUS	TYPE	MATERIAL SPEC AND COLOR	CODE	VOL CM ³	ASSEMBLY P/N	MATING ASSEMBLY P/N
15373432	06	-	R		101	M4695006 PLAS PBT YEL	X	0.568	15373431	15359111
15359116	06	-	R		103	M4695009 PLAS PBT PPL	Z	0.570	15359119	15359113
15359115	06	-	R		102	M4695003 PLAS PBT GRA	Y	0.570	15359118	15359112