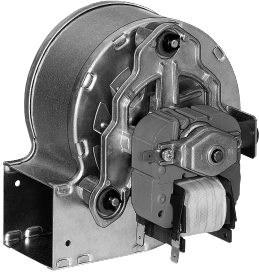


RLD85/3400-3025LH

AC centrifugal fan

forward-curved, single-intake

with housing (without flange), Gas blower for conventional heating



ebm-papst Landshut GmbH

Hofmark-Aich-Straße 25

D-84030 Landshut

Phone +49 (0) 871 707-0

Fax +49 (0) 871 707-465

info3@de.ebmpapst.com

www.ebmpapst.com

Nominal data

| Type | RLD85/3400-3025LH | |
|---------------------------|-------------------|------|
| Phase | | 1~ |
| Nominal voltage | VAC | 230 |
| Frequency | Hz | 50 |
| Speed | min ⁻¹ | 2550 |
| Power consumption | W | 39 |
| Current draw | A | 0.35 |
| Max. temp. of flow medium | °C | 180 |
| Air flow | m ³ /h | 108 |
| Pressure increase | Pa | 180 |

ml = Max. load · me = Max. efficiency · fa = Free air · cs = Customer specification · ce = Customer equipment
Subject to change



RLD85/3400-3025LH

AC centrifugal fan

forward-curved, single-intake

with housing (without flange), Gas blower for conventional heating

Technical description

| | |
|--------------------------|--|
| Weight | 1.3 kg |
| Impeller material | Aluminum (fire-aluminized sheet steel) |
| Housing material | Fire-aluminized sheet steel |
| Insulation class | "H" |
| Cable | Flat plug 6.3 x 0.8 |



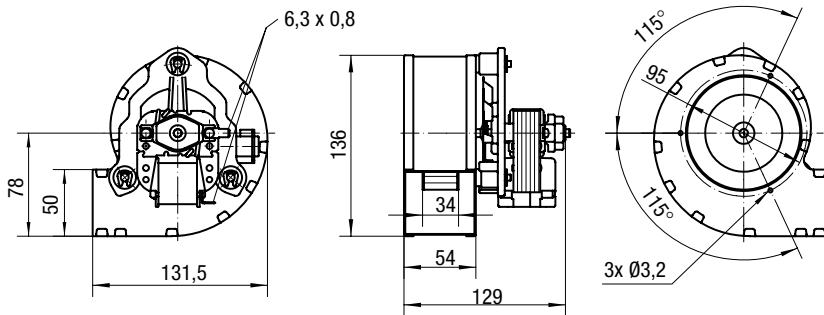
RLD85/3400-3025LH

AC centrifugal fan

forward-curved, single-intake

with housing (without flange), Gas blower for conventional heating

Product drawing

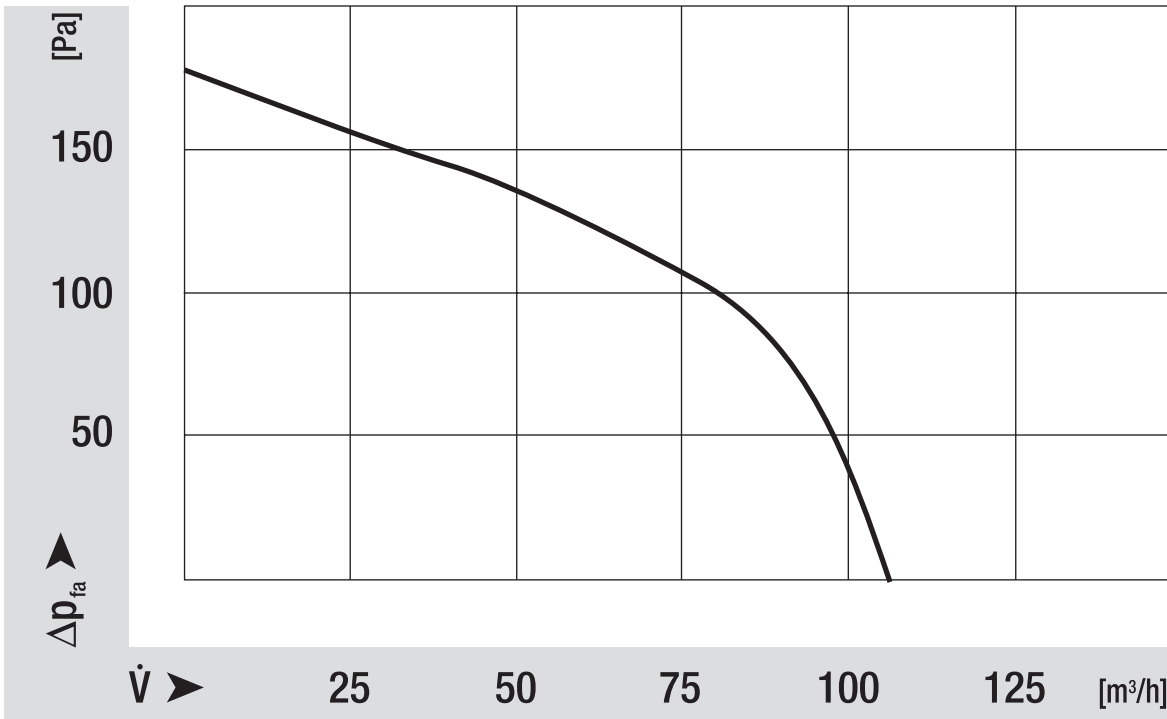


AC centrifugal fan

forward-curved, single-intake

with housing (without flange), Gas blower for conventional heating

Curves: Air performance



AC centrifugal fan

forward-curved, single-intake

with housing (without flange), Gas blower for conventional heating

Curves: Speed

