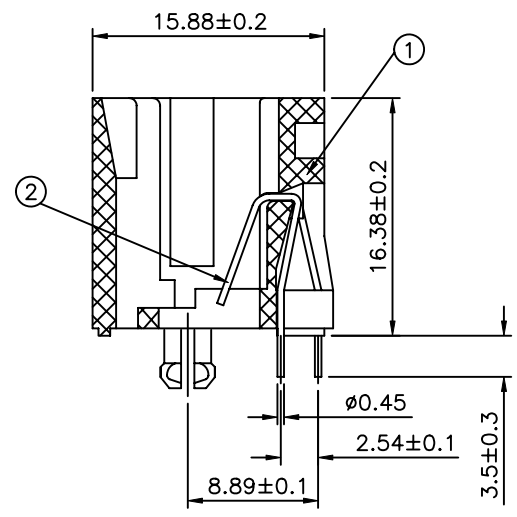
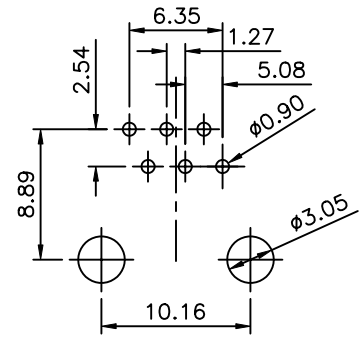
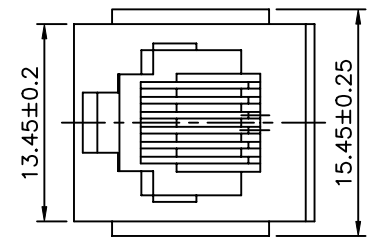
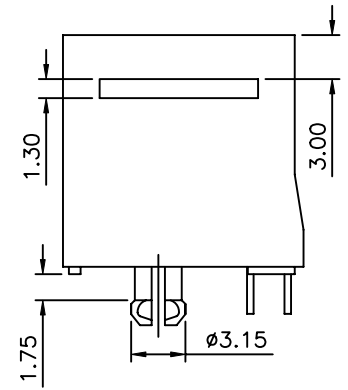
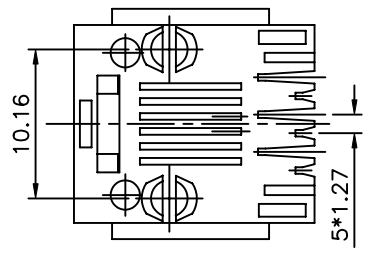
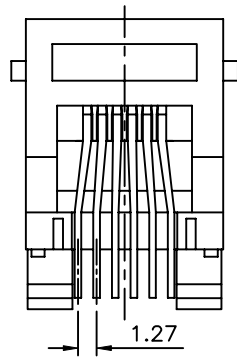


**SPECIFICATION**  
 Insulation Resistance:1000Megaohm Min  
 Withstand Voltage:1000V AC/Minute  
 Durability:600 Mating Circles Min  
 RoHS Compliant



No.	Part Name	QTY	Material	Remark
1	Housing	1	PBT	UL94V-0(Black)
2	Pin	6	Phosphor Bronze	Gold-Plating Over Nickel

**AUK** A MEMBER OF AUK GROUP  
**太聯事業股份有限公司**  
**AUK CONTRACTORS CO., LTD.**

CATEGORY		APPROVED BY		UNLESS OTHERWISE SPECIFIED TOLERANCES ARE .0~10 ±0.10 .10~20 ±0.15 .20~30 ±0.20 .ANG						
PART No. MJD0606KEXXL-H		MEI								
DRAWING No. MJD0606KEXXL-H		CHECKED BY HZF								
		DRAWING BY LXX								
SCALE	NONE	REV.	A0	UNIT mm			A0	NEW RELEASE	HZF	08/28/2007
							NO.REV.	REVISIONS	CHK	DATE