

Product data sheet

Characteristics

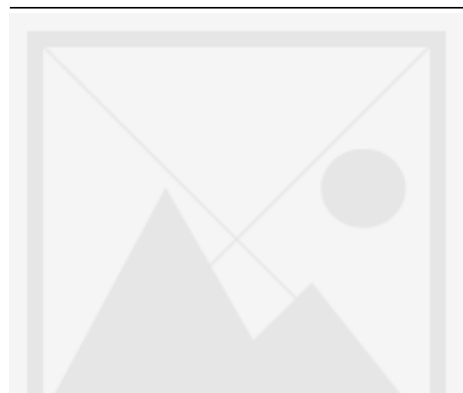
QO110319

Mini circuit breaker, QO, 10A, 1 pole, 120/240 VAC, 10 kA, plug in mount

Product availability : Non-Stock - Not normally stocked in distribution facility



Price* : 35.00 USD



! Discontinued

Main

Product	Miniature circuit-breaker
Range	QO
Current Rating	10 A
Voltage Rating	120/240 V AC 120 V AC 48 V DC
Mounting Type	Plug-in
Number of Poles	1P
Circuit Breaker Type	Standard
Ratings	Not rated
Electrical Connection	Pressure plate

Complementary

Interrupt Rating	10 kA 120/240 V AC 50/60 Hz 10 kA 120 V AC 50/60 Hz 5 kA 48 V DC
Number of Panel Spaces	1
Wire Size	AWG 14...AWG 8 copper or aluminium
Tightening Torque	44.25 lbf.in (5 N.m) 0.02...0.04 in ² (10...25 mm ²) AWG 8...AWG 2)
Height	3 in (76.20 mm)
Depth	2.91 in (73.91 mm)
Width	0.75 in (19.05 mm)

Environment

Certifications	UL Listed CSA
----------------	------------------

* Price is "List Price" and may be subject to a trade discount – check with your local distributor or retailer for actual price.

Ambient Rating	104 °F (40 °C)
----------------	----------------

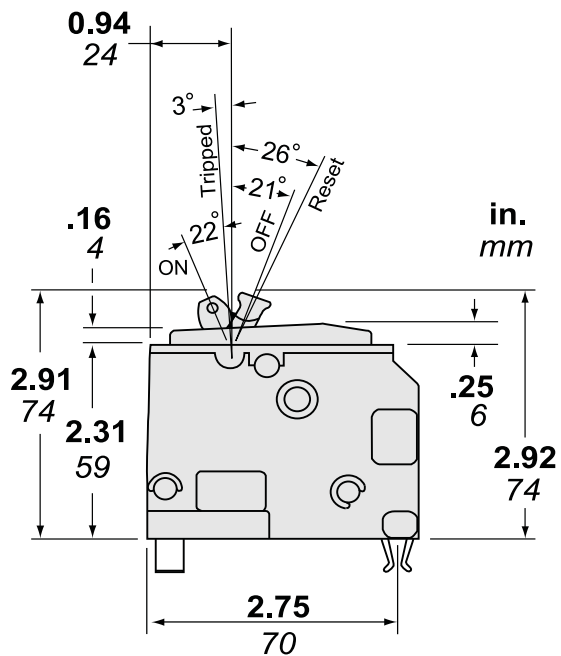
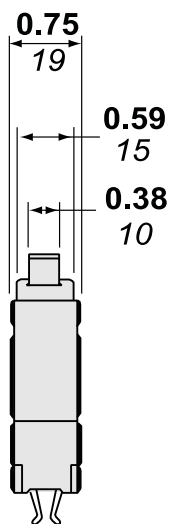
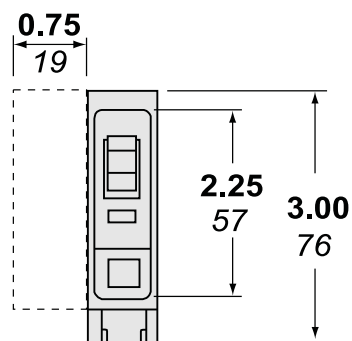
Ordering and shipping details

Category	00004 - QO,QOT 10-30A 1P;10-60A 2P
Discount Schedule	DE2A
GTIN	00785901515234
Nbr. of units in pkg.	1
Package weight(Lbs)	0.32 lb(US) (0.15 kg)
Returnability	No
Country of origin	MX

Contractual warranty

Warranty	18 months
----------	-----------

Dimensions



Dimensions are approximate. Refer to technical documentation for additional detail.