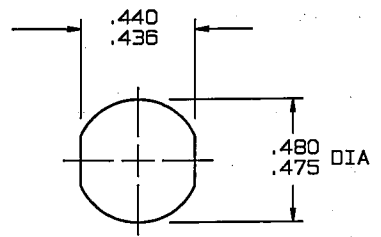
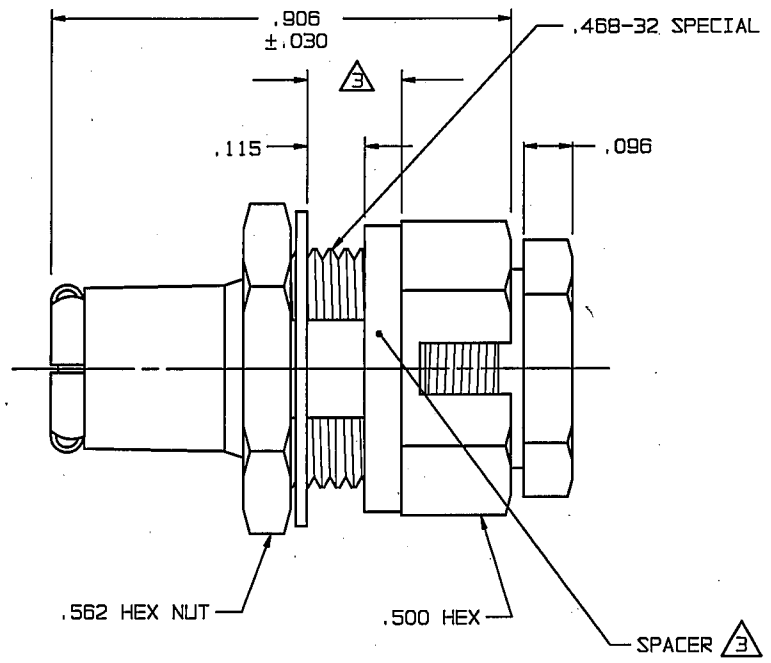


# RED INDICATES ORIGINAL

DWG SIZE C	DATA CONTAINED IN THIS DOCUMENT IS PROPRIETARY TO TROMPETER ELECTRONICS, INC. AND SHALL NOT BE DISCLOSED, COPIED OR USED FOR PROCUREMENT OR MANUFACTURE WITHOUT EXPRESS WRITTEN PERMISSION.			REVISIONS		105-1624	SH 1
				REV	EO	DESCRIPTION	DWN
				B	11391	ADDED NOTE 5; SEE ECO	DKC <i>[Signature]</i> 12/26/95

INCH	MM
.005	0.13
.030	0.76
.096	2.44
.115	2.92
.187	4.75
.436	11.07
.440	11.18
.475	12.07
.480	12.19
.500	12.70
.562	14.27
.906	23.01



RECOMMENDED  
PANEL CUTOUT  
SCALE: 2/1

5. FOR ASSEMBLY INSTRUCTIONS SEE TAI-101
4. MODIFIED MALE COAXIAL PUSH-ON TYPE BULKHEAD CABLE PLUG 50 OHM VERSION (BNC STYLE)
- △ MAX PANEL THK .187 (REMOVE SPACER)
2. FINISH: TFS-1A (NICKEL)
1. ALL DIM ARE IN INCHES

QTY	DESCRIPTION	PART NUMBER	ITEM
TOL UNLESS SPECIFIED .XX ± .XXX ±.005 .XXXX ± ANGLES ±		TROMPETER ELECTRONICS, INC. PL122-5 MOD	
DWN	DKC 12-9-95		
CHK	<i>[Signature]</i> 12/22/95	14949	105-1624
ENGR			
APPR	<i>[Signature]</i> 12/22/95	SCALE 4/1	DATE 2-23-95
NEXT ASSY		SHEET	1 OF 5