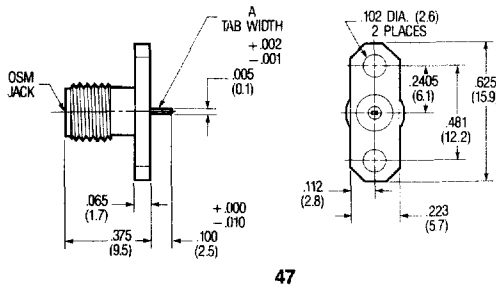
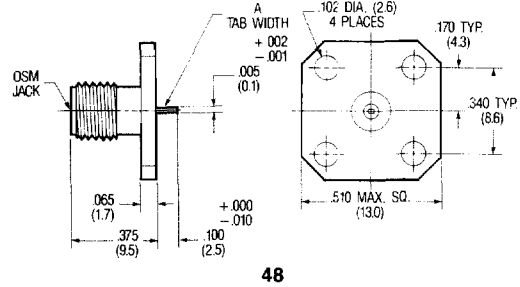


MIL-C-83517/1



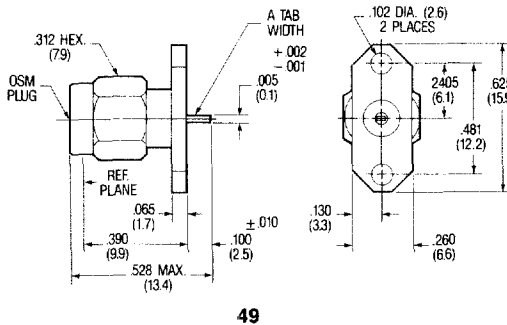
47



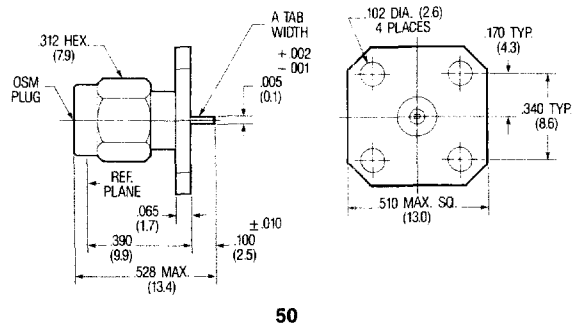
48

Military Part Number	M/A-COM Part Number	Outline	Dim. A Inches (mm)	Commercial Alternate
-31001	2052-8003-92	47	.020 (0.5) ± .002	---
-31002	2052-8004-92	47	.050 (1.3) ± .001	2052-1658
-31003	2052-8005-92	48	.020 (0.5) ± .002	2052-5636
-31004	2052-8006-92	48	.050 (1.3) ± .001	2052-1618
-32001	2052-8003-90	47	.020 (0.5) ± .002	---
-32002	2052-8004-90	47	.050 (1.3) ± .001	2052-1658
-32003	2052-8005-90	48	.020 (0.5) ± .002	2052-5636
-32004	2052-8006-90	48	.050 (1.3) ± .001	2052-1618

MIL-C-83517/2



49

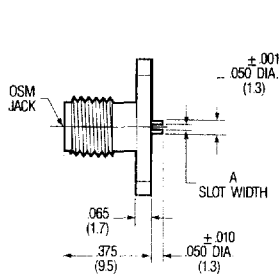


50

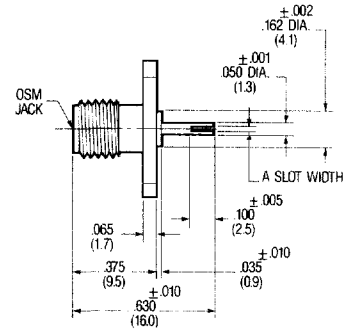
Military Part Number	M/A-COM Part Number	Outline	Dim. A Inches (mm)	Commercial Alternate
-31001	2051-8001-92	49	.020 (0.5) ± .002	---
-31002	2051-8002-92	49	.050 (1.3) ± .001	2051-1658
-31003	2051-8003-92	50	.020 (0.5) ± .002	---
-31004	2051-8004-92	50	.050 (1.3) ± .001	2051-1618
-32001	2051-8001-90	49	.020 (0.5) ± .002	---
-32002	2051-8002-90	49	.050 (1.3) ± .001	2051-1658
-32003	2051-8003-90	50	.020 (0.5) ± .002	---
-32004	2051-8004-90	50	.050 (1.3) ± .001	2051-1618

See Appendix for description of interface.

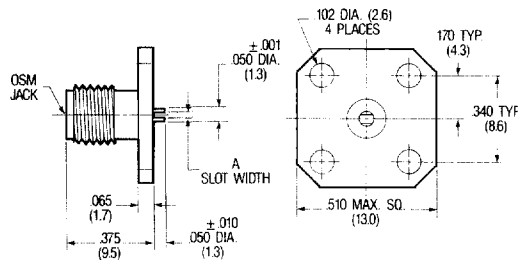
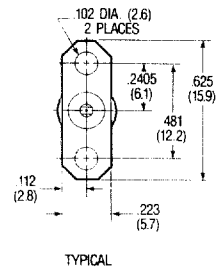
MIL-C-83517/3



51



52



53

Military Part Number	M/A-COM Part Number	Outline	Dim. A Inches (mm)	Commercial Alternate
-31001	2052-8007-92	51	.012 (0.3) +.003 - .001	2052-1650
-31002	2052-8008-92	51	.018 (0.5) +.003 - .001	2052-1652
-31003	2052-8009-92	51	.028 (0.7) +.003 - .001	2052-1654
-31004	2052-8010-92	53	.012 (0.3) +.003 - .001	2052-1610
-31005	2052-8011-92	53	.018 (0.5) +.003 - .001	2052-1612
-31006	2052-8012-92	53	.028 (0.7) +.003 - .001	2052-1614
-31007	2052-8013-92	52	.025 (0.6) ± .002	-
-32001	2052-8007-90	51	.012 (0.3) +.003 - .001	2052-1650
-32002	2052-8008-90	51	.018 (0.5) +.003 - .001	2052-1652
-32003	2052-8009-90	51	.028 (0.7) +.003 - .001	2052-1654
-32004	2052-8010-90	53	.012 (0.3) +.003 - .001	2052-1610
-32005	2052-8011-90	53	.018 (0.5) +.003 - .001	2052-1612
-32006	2052-8012-90	53	.028 (0.7) +.003 - .001	2052-1614
-32007	2052-8013-90	52	.025 (0.6) ± .002	-

See Appendix for description of interface.

M/A-COM, Inc.

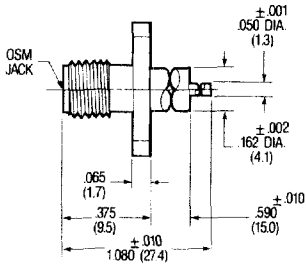
325

North America: Tel. (800) 366-2266
Fax (800) 618-8883

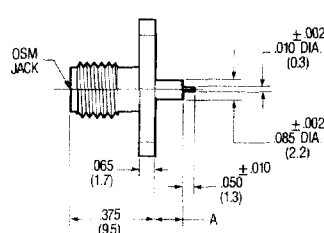
Asia/Pacific: Tel. +85 2 2111 8088
Fax +85 2 2111 8087

Europe: Tel. +44 (1344) 869 595
Fax +44 (1344) 300 020

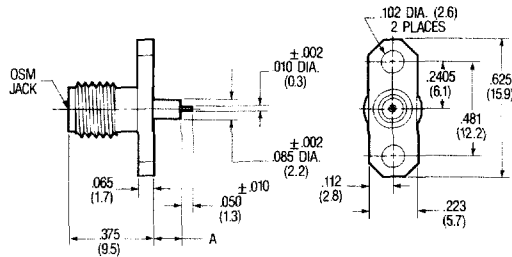
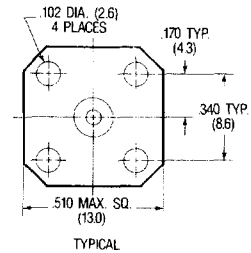
MIL-C-83517/4



54



55

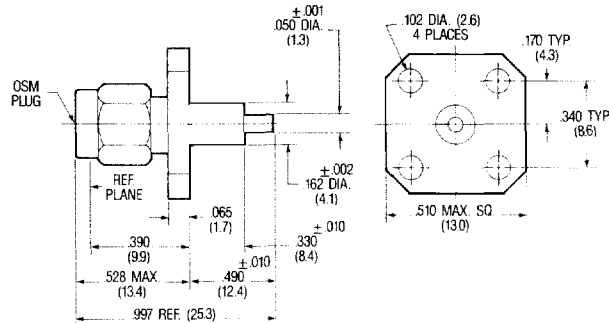


56

Military Part Number	M/A-COM Part Number	Outline	Dim. A Inches (mm)	Commercial Alternate
-31001	2052-8014-92	56	.057 (1.4) ± .003	2052-5675
-31002	2052-8015-92	56	.125 (3.2) ± .003	2052-5674
-31003	2052-8016-92	55	.057 (1.4) ± .003	2052-1216
-31004	2052-8017-92	55	.125 (3.2) ± .003	2052-1215
-31005	2052-8018-92	54	N/A	2052-1201
-32001	2052-8014-90	56	.057 (1.4) ± .003	2052-5675
-32002	2052-8015-90	56	.125 (3.2) ± .003	2052-5674
-32003	2052-8016-90	55	.057 (1.4) ± .003	2052-1216
-32004	2052-8017-90	55	.125 (3.2) ± .003	2052-1215
-32005	2052-8018-90	54	N/A	2052-1201

See Appendix for description of interface.

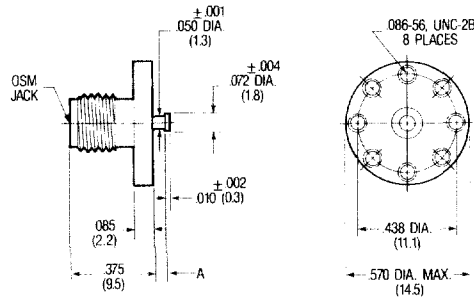
MIL-C-83517/5



57

Military Part Number	M/A-COM Part Number	Outline	Commercial Alternate
-31001	2051-8005-92	57	2051-1201
-32001	2051-8005-90	57	2051-1201

MIL-C-83517/6

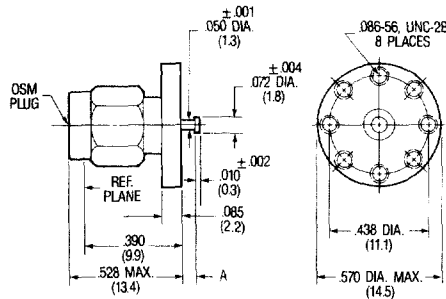


58

Military Part Number	M/A-COM Part Number	Outline	Dim. A Inches (mm)	Commercial Alternate
-31001	2066-8001-92	58	.060 (1.5) ± .003	2066-1402
-31002	2066-8002-92	58	.120 (3.0) ± .003	2066-1403
-32001	2066-8001-90	58	.060 (1.5) ± .003	2066-1402
-32002	2066-8002-90	58	.120 (3.0) ± .003	2066-1403

See Appendix for description of interface.

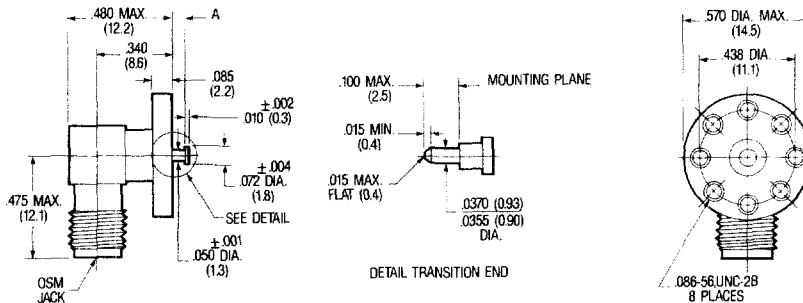
MIL-C-83517/7



59

Military Part Number	M/A-COM Part Number	Outline	Dim. A Inches (mm)	Commercial Alternate
-31001	2067-8001-92	59	.060 (1.5) ± .003	2067-1402
-31002	2067-8002-92	59	.120 (3.0) ± .003	2067-1403
-32001	2067-8001-90	59	.060 (1.5) ± .003	2067-1402
-32002	2067-8002-90	59	.120 (3.0) ± .003	2067-1403

MIL-C-83517/8

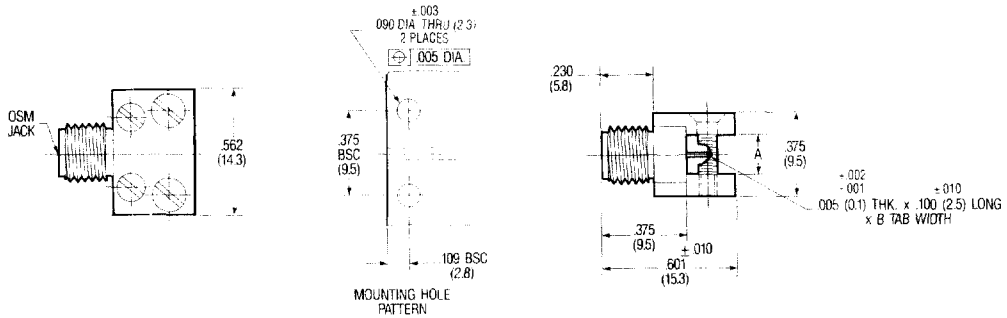


60

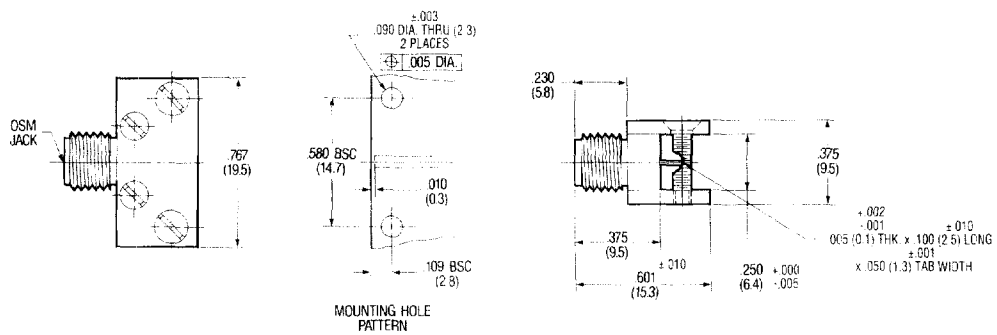
Military Part Number	M/A-COM Part Number	Outline	Dim. A Inches (mm)	Commercial Alternate
-31001	2068-8001-92	60	.060 (1.5) ± .003	2068-5156
-31002	2068-8002-92	60	.120 (3.0) ± .003	2068-5158
-32001	2068-8001-90	60	.060 (1.5) ± .003	2068-5156
-32002	2068-8002-90	60	.120 (3.0) ± .003	2068-5158

See Appendix for description of interface.

MIL-C-83517/9



61

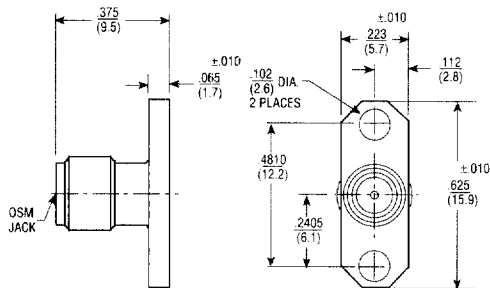


62

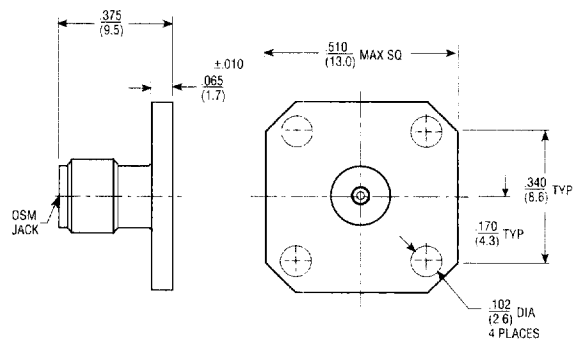
Military Part Number	M/A-COM Part Number	Outline	Dim. A Inches (mm)	Dim. B Inches (mm)	Commercial Alternate
-31001	2070-8001-92	61	.057 (1.4)/.064 (1.6)	.025 (0.6) ± .002	2070-8001
-31002	2070-8002-92	61	.120 (3.0)/.127 (3.2)	.050 (1.3) ± .001	2070-8002
-31003	2070-8003-92	61	.245 (6.2)/.250 (6.4)	.050 (1.3) ± .001	2070-8003
-31004	2070-8004-92	62	N/A	N/A	2070-8004
-32001	2070-8001-90	61	.057 (1.4)/.064 (1.6)	.025 (0.6) ± .002	2070-8001
-32002	2070-8002-90	61	.120 (3.0)/.127 (3.2)	.050 (1.3) ± .001	2070-8002
-32003	2070-8003-90	61	.245 (6.2)/.250 (6.4)	.050 (1.3) ± .001	2070-8003
-32004	2070-8004-90	62	N/A	N/A	2070-8004

See Appendix for description of interface.

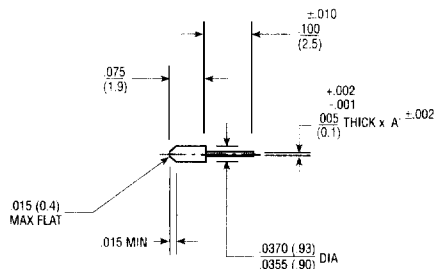
MIL-C-83517/10



63



64



65

Military Part Number	M/A-COM Part Number	Outline	Dim. A Inches (mm)	Commercial Alternate
-31001	2052-8019-92	63	-	2052-3359
-31003	2052-8021-92	64	-	2052-3358
-31005	2052-8023-92	63	65A	2052-3325
-31006	2052-8024-92	63	65A	-
-31015	2052-8033-92	64	65A	2052-3357
-31016	2052-8034-92	64	65B	-
-32001	2052-8019-90	63	-	2052-3359
-32003	2052-8021-90	64	-	2052-3358
-32005	2052-8023-90	63	65A	2052-3325
-32006	2052-8024-90	63	65B	-
-32015	2052-8033-90	64	65A	2052-3357
-32016	2052-8034-90	64	65B	-