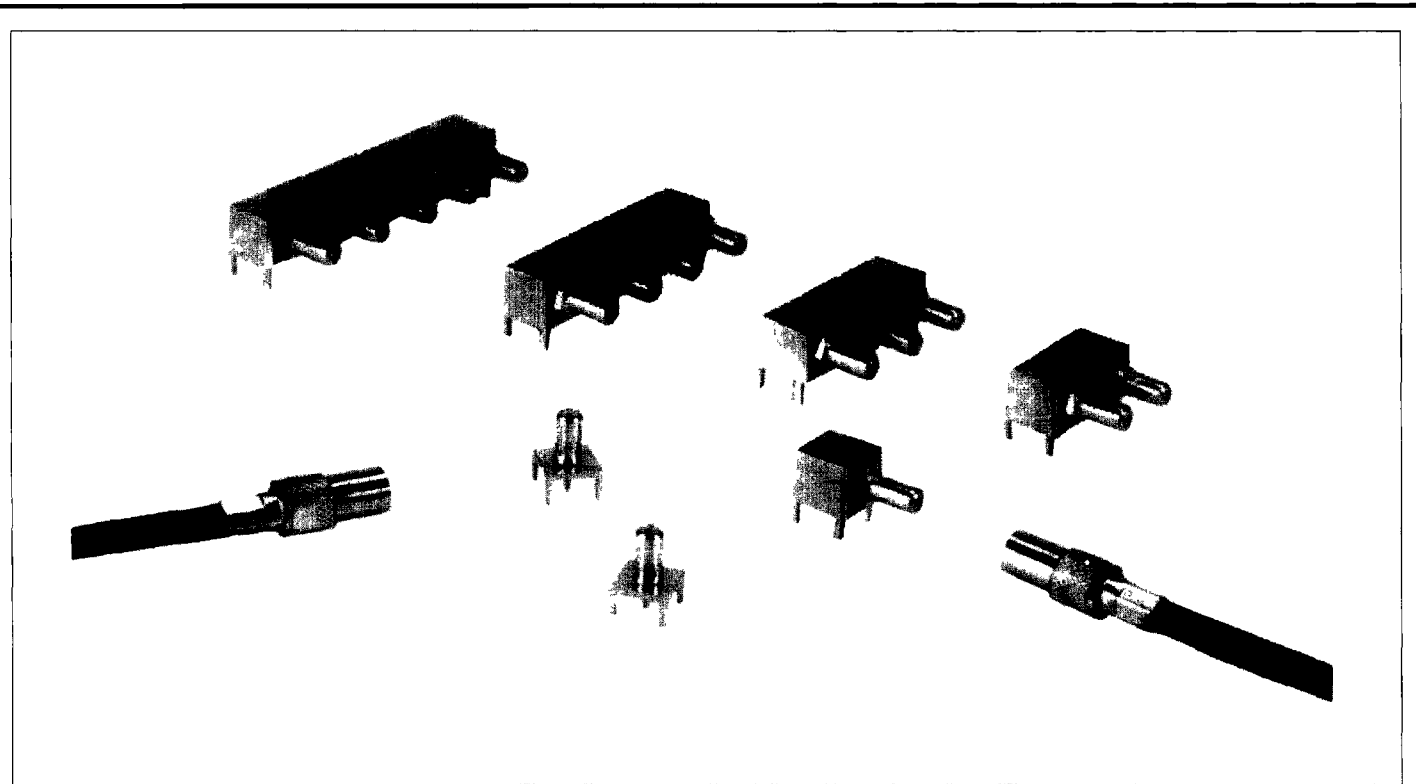


SSMB75 Series



Low-profile, Push-on Type Impedance 75ohm Coaxial Connectors



■ FEATURES

- SSMB75 series are connectors for 75 ohm group of SSMB series (50 ohm group).
- DDK's originally developed 75 ohm group connectors are super mini-size push-on type.
- Strong against distortion by application of closed entry structure.
- Receptacles (L type for print base) are available, i.e., 1-5 rows.
- Not intermateable with SSMB series.
- Widely used for test instruments, broadcasting equipment, CATV and HDTV, etc.

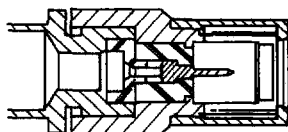
■ SPECIFICATION

Impedance.....75Ω
Dielectric withstanding voltage 1 minute
.....AC500V(r.m.s.)
Insulation resistance1000MΩ min.
at 500V DC
Contact resistance10mΩ max.
at 1A DC
VSWR1.2max. 2GHz

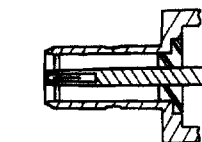
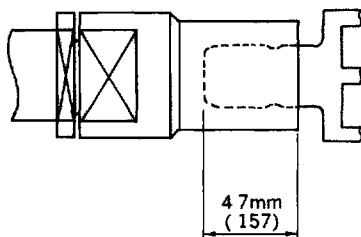
■ MATERIAL/FINISH

Shell(Body)Brass/Gold plate
Contact(male)Phosphor bronze/Gold plate
Contact(female)Beryllium copper/Gold plate
InsulatorsTeflon

■ Mating Dimension



Plug Mating Face



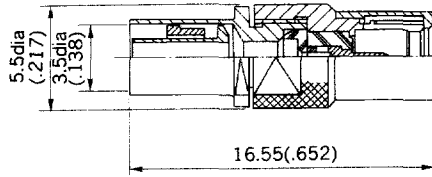
Jack Mating Face

SSMB75 Series



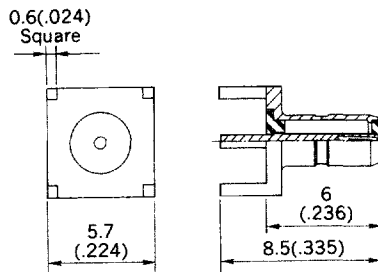
■ Plug

Unit:mm(inch)

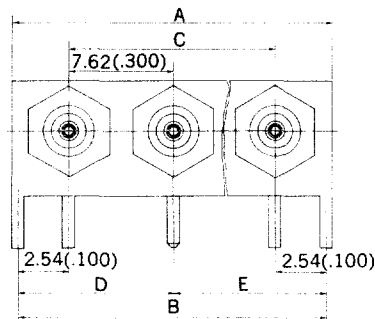
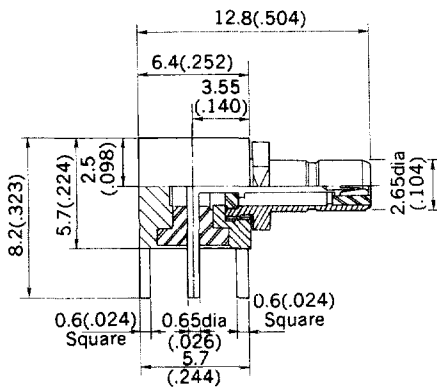


Name	Part no.	Applicable Cable	Hand crimp tool P/N
SSMB75-SP-1.5CCA-EXBV	110000	1.5CCA-EXBV	CR-H-1101

■ Receptacles



Name	Part no.	Mounting hole
SSMB75-SR-PC	110003	V



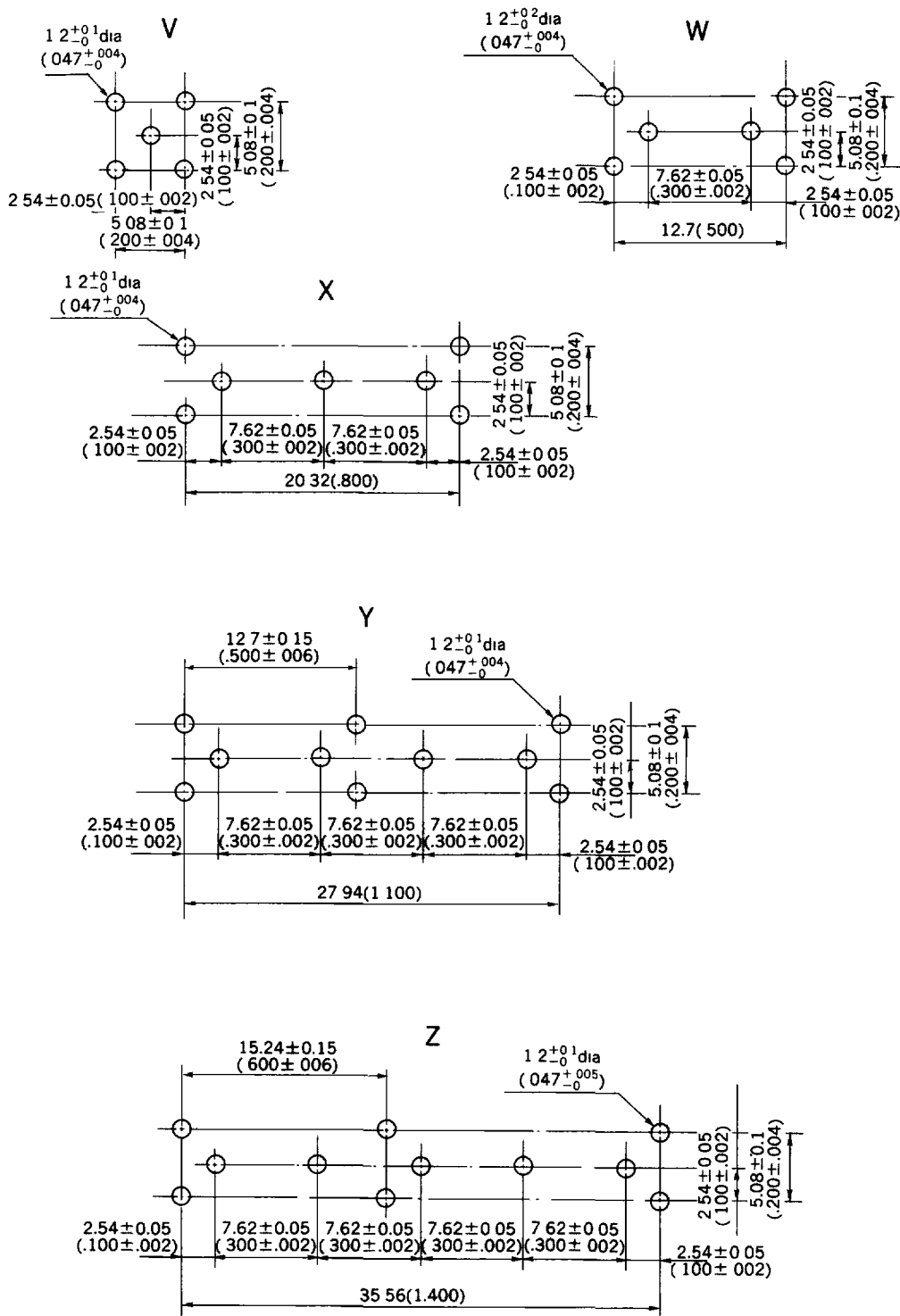
Name	Part no.	Dimensions					Mounting hole
		A	B	C	D	E	
SSMB75-LR-PC	110005-001	5.7 (.224)	5.08 (.200)	—	—	—	V
SSMB75-LR-PC-2	110005-002	13.3 (.524)	12.7 (.500)	7.62 (.300)	—	—	W
SSMB75-LR-PC-3	110005-003	20.92 (.824)	20.32 (.800)	15.24 (.600)	—	—	X
SSMB75-LR-PC-4	110005-004	28.54 (1.124)	27.94 (1.100)	22.86 (.900)	12.7 (.500)	15.24 (.600)	Y
SSMB75-LR-PC-5	110005-005	36.16 (1.424)	35.56 (1.400)	30.48 (1.200)	15.24 (.600)	20.32 (.800)	Z

SSMB75 Series



Mounting hole

Unit:mm(inch)



Pull-out Tool

Tool to be used in pulling out the plug connector from receptacle connector is available.