



Features

- Rugged construction

Model C-303™ 5-Pin Non-Protecting Modules

Bourns® C-303™ Non-Protecting Modules provide continuity or ground in a 5-pin type protector for use in central office connector, remote and building entrance terminal applications. The housings are made of colored self-extinguishing insulating material. When inserted into the connector sockets, contact pins provide the following connections for each cable pair:

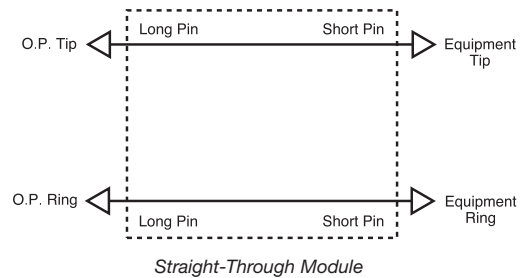
- ground that also acts as a polarization pin
- tip and ring to the outside cable
- tip and ring to the central office equipment

Non-protecting modules are available with tin-alloy or gold-plated outside plant and central office pins; the grounding pin is always tin-alloy plated.

- Non-protecting modules with gold-plated pins are intended to be used in connectors with gold-plated protector receptacles.
- Tin-alloy plated pins can be used when the protector receptacles are tin-alloy plated.

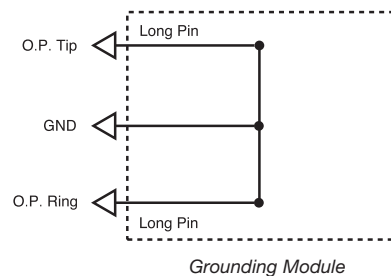
5-Type Direct Feed Modules

These modules give circuit continuity between the outside plant and central office pairs. Used in locations where protection is not required.



Denied Service Grounding Modules

These green-colored modules are used to temporarily disconnect a subscriber's line. The modules provide a permanent ground on all terminated outside plant cable pairs that are not being used or those that are in an idle condition. This prevents noise induction to the adjacent circuits. There is no connection on the central office equipment pins.



BOURNS®

Asia-Pacific: Tel: +886-2 2562-4117 • Fax: +886-2 2562-4116

Europe: Tel: +41-41 768 5555 • Fax: +41-41 768 5510

The Americas: Tel: +1-951 781-5500 • Fax: +1-951 781-5700

www.bourns.com

Model C-303™ 5-Pin Non-Protecting Modules

BOURNS®

How to Order

Product Code	Part Number	Application	Description	Module Color	Type Number	Figure Number (see page 3)
5-Type Modules Equipped with Gold-Plated Pins						
303M-05A6G0	A0337864	Standard Circuit	Straight-Through/Unprotected	Gray	C-5A1D	1
303M-05A2G0	A0338072	Service Denied	Open/Unprotected	Green	C-5A2D	1
303M-05A3G0	A0338073	Special Circuit	Straight-Through/Unprotected	Red	C-5A3D	1
303M-05A4G0	A0338074	PBX Battery	Straight-Through/Unprotected	Yellow	C-5A4D	1
303M-05A9G0	A0338075	Reversed Pairs*	Straight-Through/Unprotected	White	C-5A9D	1
303M-05C6G0	A0334926	Unprotected Circuit	Straight-Through/Unprotected	Gray	C-4B12C	3
303M-05F6G0	A0358284	Unprotected Circuit	Straight-Through/Unprotected with Front Test	Gray	C-4C12C	2
Modules Equipped with Tin-Alloy Plated Pins						
303M-13D2G0	303M-13D2G0	Service Denied	Grounding Module	Green	-	6
303M-05C6T0	303M-05C6T0	Unprotected Circuit	Straight-Through/Unprotected (4A Size)	Gray	-	3
303-1053	A0294497	Service Denied	Grounding Module (3A Size)	Green	-	4
303-1054	A0294510	Service Denied	Grounding Module (4A Size)	Green	-	5
303-1024	A0312306	Service Denied	Grounding Module (5A Size)	Green	-	6

* *Pair reversing module: This module identifies and corrects reversed pairs in the outside plant. It is intended for temporary use until the reversed pairs can be rewired correctly.*

Note: Order by Part Number.

Packaging Specifications

Standard Packaging.....	200 modules for 5A-type; 100 modules for all others
Dimensions (H x W x D).....	8 x 15 x 20 cm (3 x 6 x 8 in.)
Shipping Weight	1.8 kg (4 lb)

Model C-303™ 5-Pin Non-Protecting Modules

BOURNS®

Product Dimensions

Figure 1
5A-Type Continuity Module

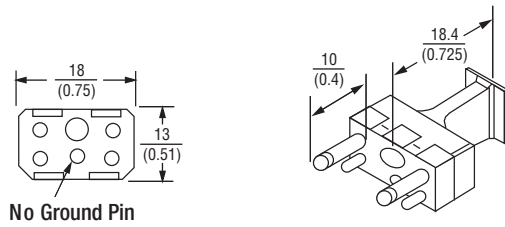


Figure 2
5F-Type Continuity Module

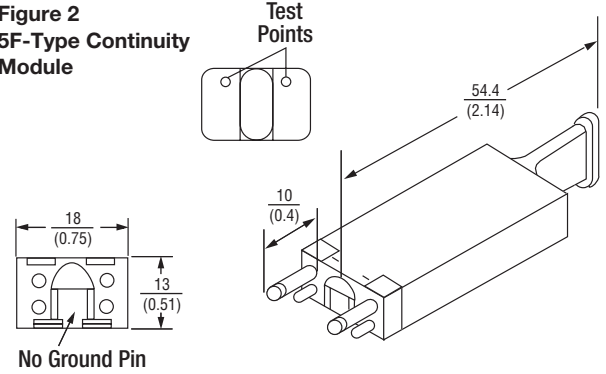


Figure 3
5C-Type Continuity Module

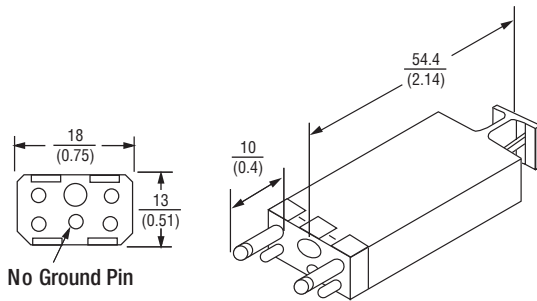


Figure 4
3A-Size Grounding Module

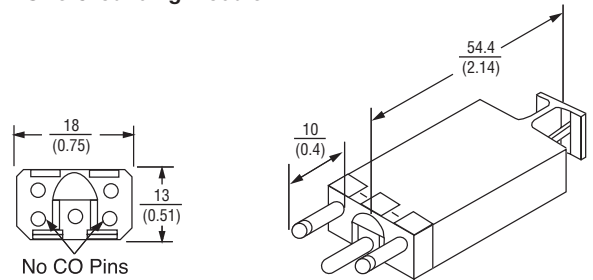


Figure 5
4A-Size Grounding Module

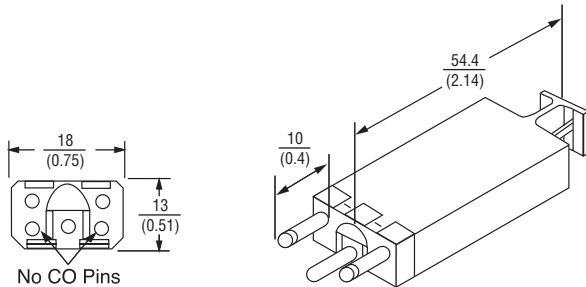
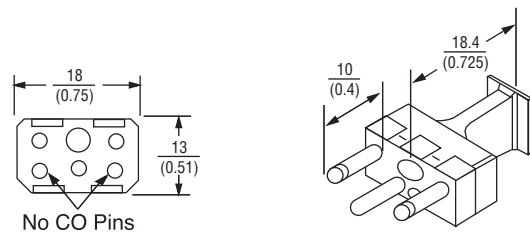


Figure 6
5A-Size Grounding Module



DIMENSIONS: $\frac{\text{MM}}{\text{(INCHES)}}$

REV. I 06/11

Specifications are subject to change without notice.
Customers should verify actual device performance in their specific applications.