

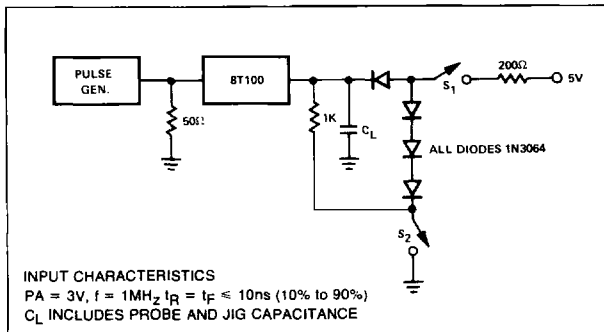
DESCRIPTION

The 8T100/101 are universal differential line drivers with tri-state outputs. The various operating modes of the drivers are controlled by 2 control lines. By proper controlling these control lines, the driver can be made to operate in single ended or multiplexed configuration. The tri-state capability allows disabled drivers to stay on the line in a multiplexed system without loading the line. The differential feature, when used with suitable line receiver eliminates troublesome ground loops and common mode noise associated with single wire transmission. 8T101 provides clamp diodes from output to V_{CC} on all drivers.

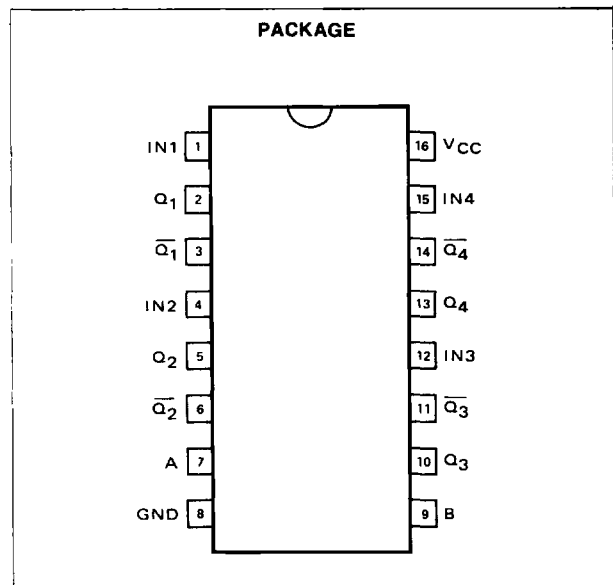
TRUTH TABLE

Operating Mode	A	B	Data In	Q Out	Q Out
Driver On	0	0	0	1 (Source) 0 (Sink)	0 (Sink) 1 (Source)
Driver Off (3-4-State)	1	1	0	Hi-Z Hi-Z	Hi-Z Hi-Z
Party-Line	0	1	0	Hi-Z 0 (Sink)	Hi-Z 1 (Source)
Party-Line	1	0	0	1 (Source) Hi-Z	0 (Sink) Hi-Z

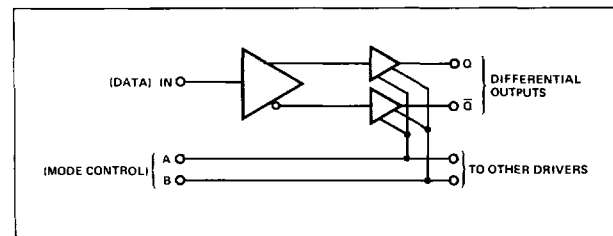
AC TEST CIRCUIT



PIN CONFIGURATION

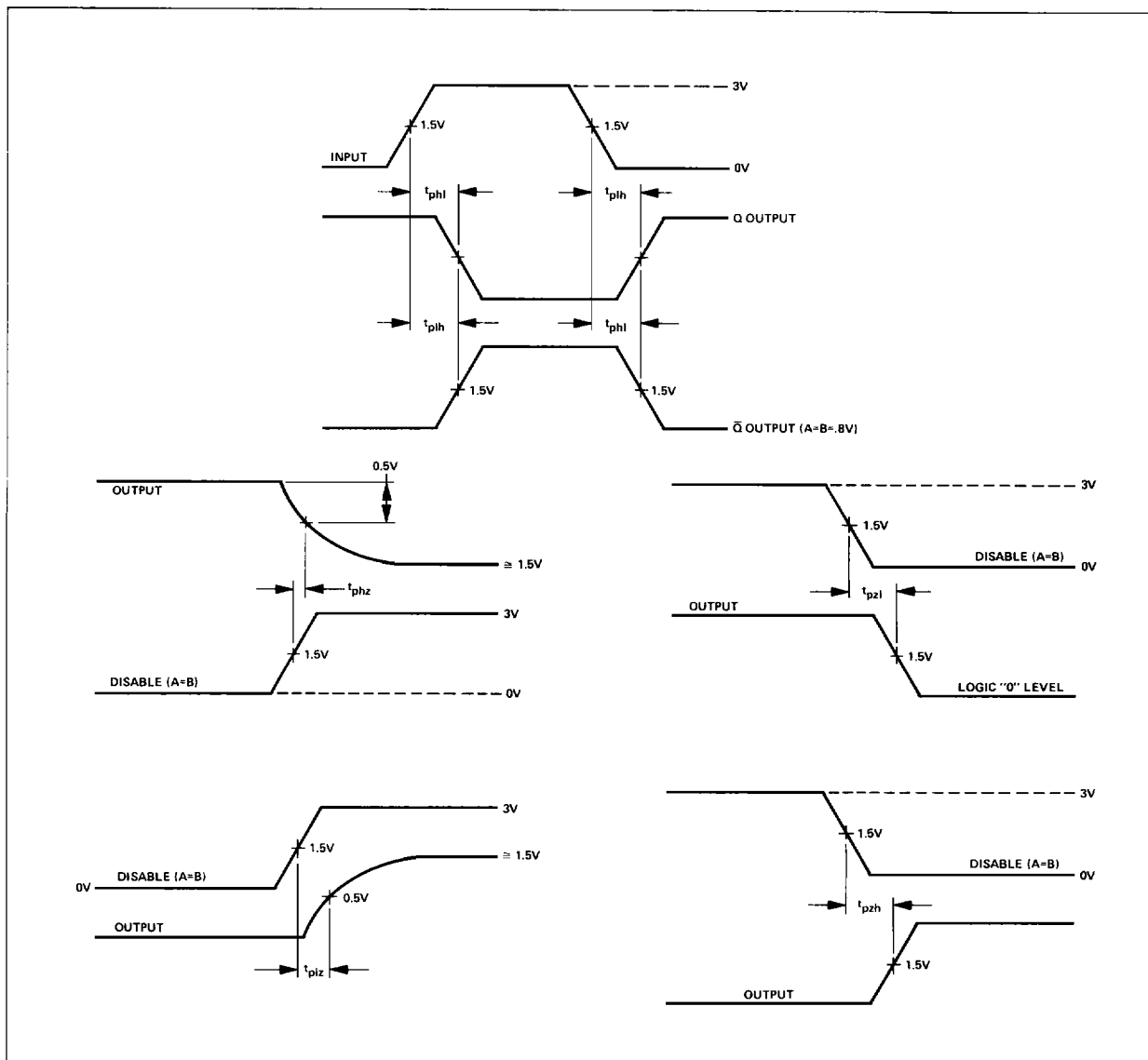


LOGIC DIAGRAM



AC TEST TABLE

	S ₁	S ₂	C _L
t _{PHL}	Closed	Closed	300pF
t _{PLH}	Closed	Closed	300pF
t _{PLZ}	Closed	Closed	5pF
t _{PHZ}	Closed	Closed	5pF
t _{PZL}	Closed	Open	300pF
t _{PZH}	Open	Closed	300pF



EQUJ3TUI