

ADVANTAGES

- Typical Application
- Low Cost
- Hermetic Package

APPLICATIONS

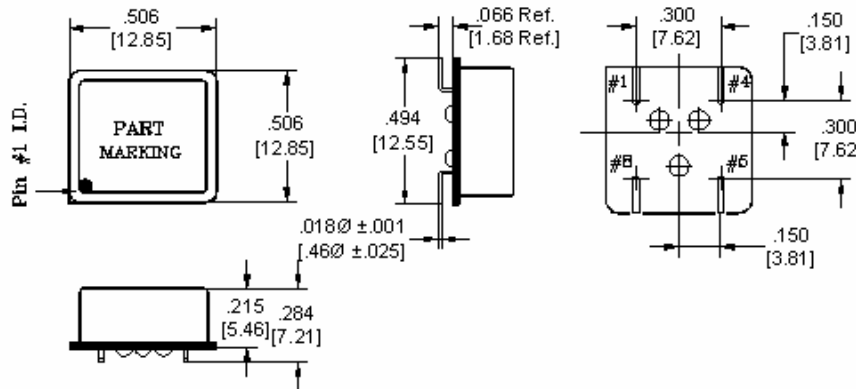
- Telecommunications
- Avionics
- Microprocessors
- Personal Computers
- Modem Chip Sets
- Ethernet Cards
- Military



ELECTRICAL PERFORMANCE (Ta=25°C)

PARAMETER	MINIMUM	MAXIMUM	UNITS
Center Frequency	1.544	125.0	MHz
Oscillation Mode (See Note 4)			
Supply Voltage	3.3	5.0	Volts
Frequency Stability at +25°C (See Note 2)	±50.0ppm Standard		ppm
Frequency Stability Over Temperature	±50.0ppm Standard		ppm
Operating Temperature Range (See Note 2)	-20 to 70		°C
Storage Temperature Range	-55 to 125		°C
Seal Method	Resistance Weld		
Output Load	TTL,HCMOS		

Parameter	Standard Observed
Mechanical Shock	MIL-STD-202 Method 213, Condition C
Vibration	MIL-STD-202 Method 201, 204, and 214
Hermeticity	MIL-STD-202, Method 112
Solderability	IPC/EIA-STD-002A



- NOTES**
- 1) To order, state part number, options and nominal frequency e.g. 008G 100.000MHz
 - 2) Other temperature ranges, stabilities and electrical parameters are readily available upon request.
 - 3) Other specifications available upon request.
 - 4) Dependent on frequency and mode

Precision Devices INC. – 8840N. Greenview Drive, Middleton WI 53562, Tel- 1-800-274-XTAL, Fax- 1-608-831-3343,
 www.pdixtal.com Outside US Phone- 608-381-4445, E-mail- sales@pdixtal.com
 PD (HK) Ltd. – Tel- (852)-2367-3626, Fax- (852)-2646-3122, E-mail- sales@pdixtal.com.hk
 PD (UK) Ltd. – Tel- +44 (0)1223 834444, Fax- +44(0)1223 834589, E-mail- sales@pdixtal.co.uk