

HC-Q12-I-CT-M - Contact insert



1418626

<https://www.phoenixcontact.com/us/products/1418626>

Please be informed that the data shown in this PDF document is generated from our Online Catalog. Please find the complete data in the user documentation. Our General Terms of Use for Downloads are valid.



Contact insert, number of positions: 12+PE, size: D7, number of connections per position: 1, Pin, Crimp connection, 400 V, 12 A, 0.14 mm² ... 2.5 mm²

Your advantages

- Can be keyed in seconds thanks to plastic profiles
- 16 coding options without loss of contact space
- Contact insert including IP65 sealing screw

Commercial Data

Item number	1418626
Packing unit	1 pc
Minimum order quantity	1 pc
Sales Key	BF61
Product Key	BF7ABJ
Catalog Page	Page 507 (C-2-2019)
GTIN	4055626249391
Weight per Piece (including packing)	13.9 g
Weight per Piece (excluding packing)	13.4 g
Customs tariff number	85389099
Country of origin	CN

HC-Q12-I-CT-M - Contact insert



1418626

<https://www.phoenixcontact.com/us/products/1418626>

Technical Data

Notes

General	For HC-D7 housing, crimp contacts CK1,6-ED (crimp contacts not included in scope of supply)
General	Connectors may be operated only when there is no load/voltage.

Mounting

Assembly instructions	To ensure correct use, installation in housing with IP54 protection or better is required Contact insert including IP67 sealing screw.
-----------------------	---

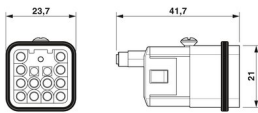
Product properties

Type	D7
Product type	Contact insert with a fixed no. of positions
Number of positions	12
Connection profile	12+PE
Contact numbering	1 - 12
Number of connections per position	1
Contact type	turned rolled
Series	HC-Q

Insulation characteristics

Overvoltage category	III
Degree of pollution	3

Dimensions

Dimensional drawing	
Width	21 mm
Height	40.8 mm
Length	21 mm

Mechanical characteristics

Contact diameter	1.6 mm
------------------	--------

Connection data

Connection technology

Connection technology	Crimp connection PE connection
-----------------------	-----------------------------------

HC-Q12-I-CT-M - Contact insert



1418626

<https://www.phoenixcontact.com/us/products/1418626>

Number of connections per position	1
Connection in acc. with standard	IEC / EN

Conductor connection

Conductor cross section	0.14 mm ² ... 2.5 mm ²
Connection cross section AWG	26 ... 14
Tightening torque	0.5 Nm ... 0.8 Nm (Mounting screws for mounting in the HEAVYCON housing)
Stripping length of the individual wire	8 mm
	6 mm (2.5 mm ²)

Electrical properties

Rated voltage (III/3)	400 V
Rated surge voltage	6 kV
Rated current	12 A

Mechanical properties

Mechanical data

Insertion/withdrawal cycles	≥ 500
-----------------------------	-------

Material specifications

Flammability rating according to UL 94	V0
Seal material	NBR, conductive
Contact material	Copper alloy
Contact surface material	Ag (alternatively Au)
Contact carrier material	PC
Standards/regulations	PC: Fire protection in rail vehicles - requirement sets R22, R23, and R24 acc. to DIN EN 45545-2 (Risk level HL1 - HL3)

Environmental and real-life conditions

Ambient conditions

Ambient temperature (operation)	-40 °C ... 125 °C (including heating up of contacts)
---------------------------------	--

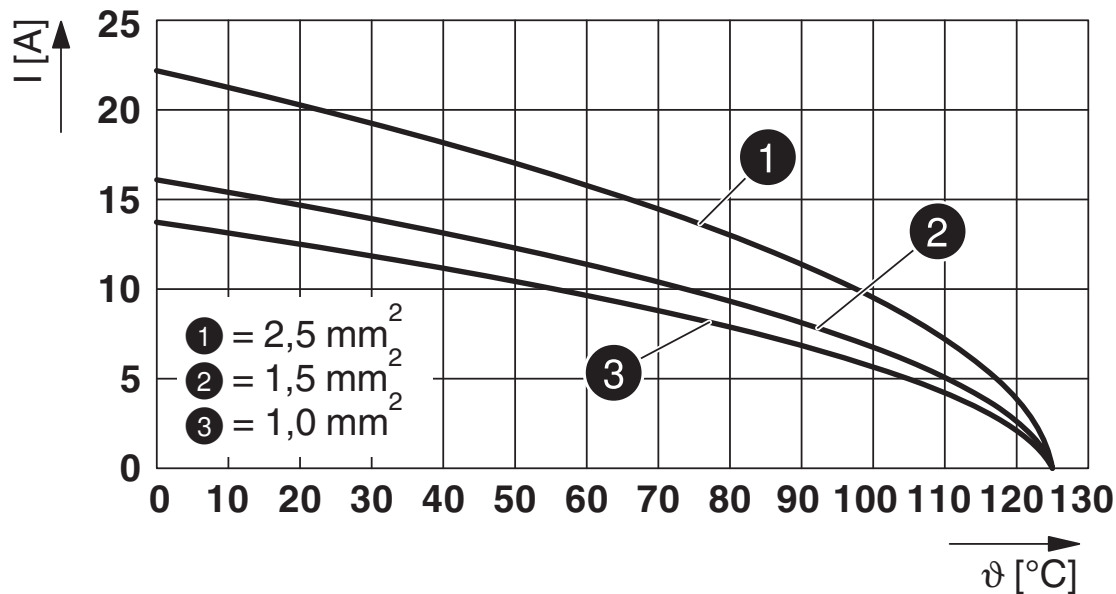
Standards and regulations

Testing

Standards/regulations	PC: Fire protection in rail vehicles - requirement sets R22, R23, and R24 acc. to DIN EN 45545-2 (Risk level HL1 - HL3)
-----------------------	---

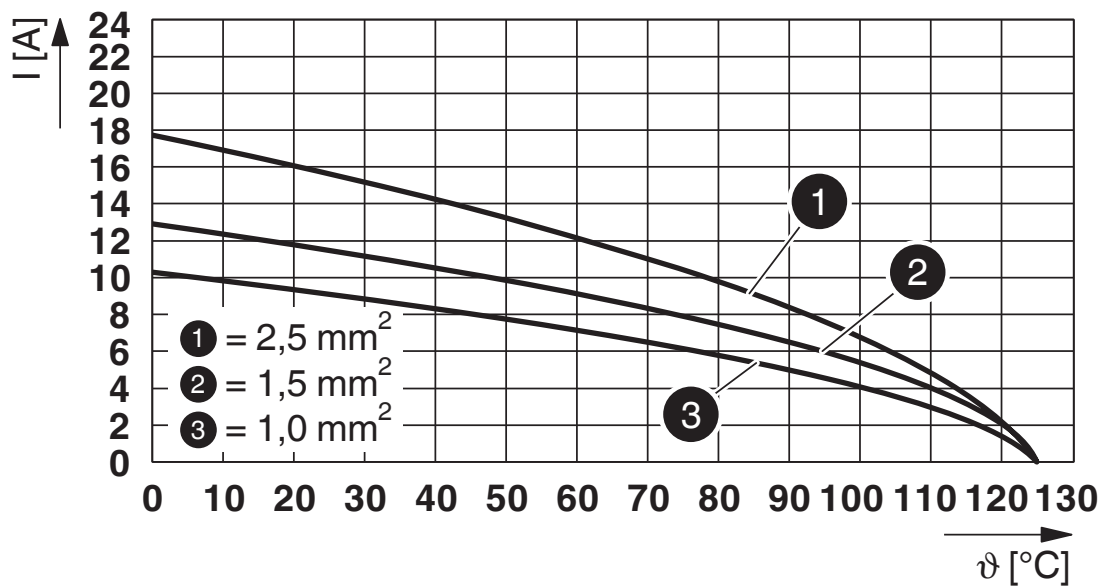
Drawings

Diagram



Derating diagram turned contacts

Diagram



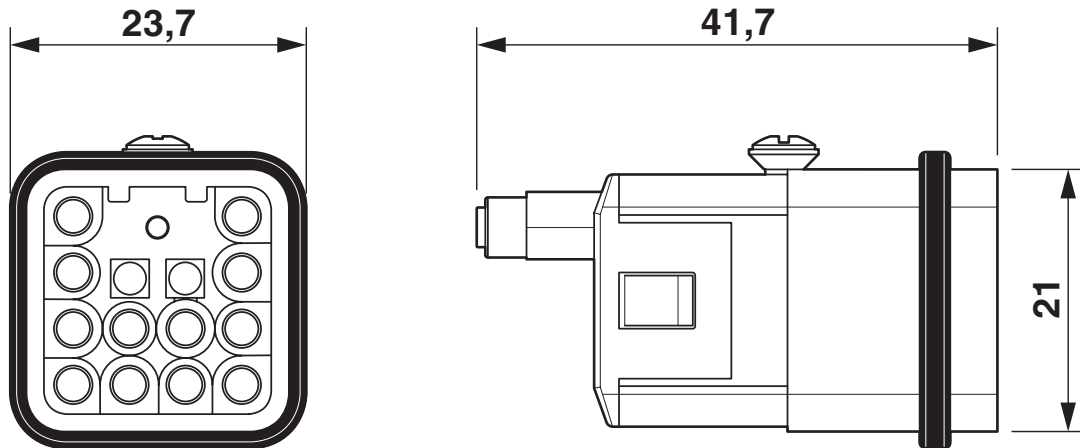
Derating diagram rolled contacts

HC-Q12-I-CT-M - Contact insert

1418626

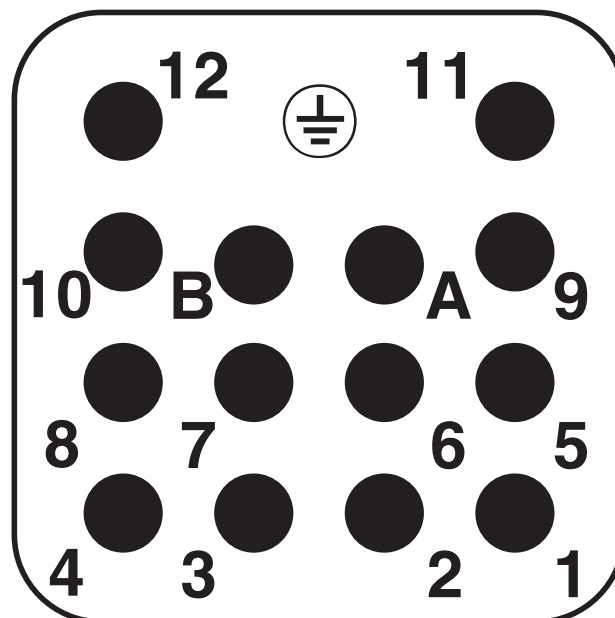
<https://www.phoenixcontact.com/us/products/1418626>

Dimensional drawing



Dimensional drawing: HC-Q 12-I-CT-M

Schematic diagram



Pin assignment connection side. Position A and B for coding profiles

Schematic diagram

HC-Q 12-I-CT-M		HC-Q 12-I-CT-F	
A	B	B	A
▼	▼	▲	▲
▼	▲	▼	▲
▼	▲	▲	▲
▼	▲	▼	▲
▲	▼	▲	▼
▲	▲	▼	▼
▲	▼	▲	▼
▲	▲	▼	▼
▼	▼	▲	▲
▼	▲	▼	▲
▼	▼	▲	▲
▼	▲	▼	▲
▲	▼	▲	▲
▲	▲	▼	▲
▲	▼	▲	▼
▲	▲	▼	▲
▲	▼	▲	▲

Coding scheme

HC-Q12-I-CT-M - Contact insert




1418626

<https://www.phoenixcontact.com/us/products/1418626>

Approvals

 CSA Approval ID: 13631	Nominal Voltage U_N	Nominal Current I_N	Cross Section AWG	Cross Section mm^2
	600 V	12 A	- 14	-

 UL Recognized Approval ID: E118976	Nominal Voltage U_N	Nominal Current I_N	Cross Section AWG	Cross Section mm^2
	600 V	15 A	- 14	-

 EAC Approval ID: RU C-DE.AI30.B.01102

 EAC Approval ID: RU C-DE.BL08.B.00511

 UL Recognized Approval ID: E468743	Nominal Voltage U_N	Nominal Current I_N	Cross Section AWG	Cross Section mm^2
	600 V	15 A	-	-

HC-Q12-I-CT-M - Contact insert



1418626

<https://www.phoenixcontact.com/us/products/1418626>

Classifications

ECLASS

ECLASS-11.0	27440205
ECLASS-12.0	27440205
ECLASS-13.0	27440205

ETIM

ETIM 8.0	EC000438
----------	----------

UNSPSC

UNSPSC 21.0	39121500
-------------	----------

HC-Q12-I-CT-M - Contact insert



1418626

<https://www.phoenixcontact.com/us/products/1418626>

Environmental Product Compliance

REACH SVHC	Lead 7439-92-1
China RoHS	Environmentally Friendly Use Period = 50 years
	For information on hazardous substances, refer to the manufacturer's declaration available under "Downloads"

HC-Q12-I-CT-M - Contact insert

1418626

<https://www.phoenixcontact.com/us/products/1418626>



Accessories

HC-CP-Q12-PL - Coding element

1095421

<https://www.phoenixcontact.com/us/products/1095421>

Coding element for HC-Q12 contact insert



HC-D07-SP-RBK - Profile gasket

1419622

<https://www.phoenixcontact.com/us/products/1419622>

Profile gasket, design: D7, for pin inserts



HC-Q12-I-CT-M - Contact insert

1418626

<https://www.phoenixcontact.com/us/products/1418626>



HC-D 7-DS-IP65 - Sealing screw

1686229

<https://www.phoenixcontact.com/us/products/1686229>



Sealing screw, size: Countersunk head, IP67, replacement part for D7 size HEAVYCON housing

UNIFOX MT-CK 1.6/2.5 - Assembly tool

1089092

<https://www.phoenixcontact.com/us/products/1089092>



Assembly tool, for CK 1.6... crimp contacts for small conductor cross sections

HC-Q12-I-CT-M - Contact insert

1418626

<https://www.phoenixcontact.com/us/products/1418626>



UNIFOX RT-CK 1.6 - Contact removal tool

1072069

<https://www.phoenixcontact.com/us/products/1072069>



Contact removal tool, for turned and rolled CK- 1.6-... contacts

CK1,6-ED-0,37ST AG - Crimp contact

1663336

<https://www.phoenixcontact.com/us/products/1663336>



Crimp contact, contact diameter: 1.6 mm, turned, Pin, contact material: Copper alloy, contact surface: silver-plated, connection cross section: 0.14 mm² ... 0.37 mm², AWG 26 ... 22

HC-Q12-I-CT-M - Contact insert

1418626

<https://www.phoenixcontact.com/us/products/1418626>



CK1,6-ED-0,50ST AG - Crimp contact

1663349

<https://www.phoenixcontact.com/us/products/1663349>



Crimp contact, contact diameter: 1.6 mm, turned, Pin, contact material: Copper alloy, contact surface: silver-plated, connection cross section: 0.5 mm² ... 0.5 mm², AWG 20

CK1,6-ED-0,75ST AG - Crimp contact

1663352

<https://www.phoenixcontact.com/us/products/1663352>



Crimp contact, contact diameter: 1.6 mm, turned, Pin, contact material: Copper alloy, contact surface: silver-plated, connection cross section: 0.75 mm² ... 0.75 mm², AWG 18

HC-Q12-I-CT-M - Contact insert

1418626

<https://www.phoenixcontact.com/us/products/1418626>



CK1,6-ED-1,00ST AG - Crimp contact

1663365

<https://www.phoenixcontact.com/us/products/1663365>



Crimp contact, contact diameter: 1.6 mm, turned, Pin, contact material: Copper alloy, contact surface: silver-plated, connection cross section: 1 mm² ... 1 mm², AWG 18

CK1,6-ED-1,50ST AG - Crimp contact

1663378

<https://www.phoenixcontact.com/us/products/1663378>



Crimp contact, contact diameter: 1.6 mm, turned, Pin, contact material: Copper alloy, contact surface: silver-plated, connection cross section: 1.5 mm² ... 1.5 mm², AWG 16

HC-Q12-I-CT-M - Contact insert

1418626

<https://www.phoenixcontact.com/us/products/1418626>



CK1,6-ED-2,50ST AG - Crimp contact

1663381

<https://www.phoenixcontact.com/us/products/1663381>



Crimp contact, contact diameter: 1.6 mm, turned, Pin, contact material: Copper alloy, contact surface: silver-plated, connection cross section: 2.5 mm² ... 2.5 mm², AWG 14

CK1,6-ED-ST-POF - Male contact

1884995

<https://www.phoenixcontact.com/us/products/1884995>



POF fiber optic pin contact, turned, for contact carriers (HC-DD...I-CT.../ HC-M-12-CT-.../ HC-M-17-CT-...) of CK1,6-ED... contacts

HC-Q12-I-CT-M - Contact insert

1418626

<https://www.phoenixcontact.com/us/products/1418626>



CK1,6-ED-0,37M AG - Crimp contact

1266193

<https://www.phoenixcontact.com/us/products/1266193>



Crimp contact, contact diameter: 1.6 mm, turned, Pin, contact material: Copper alloy, lead-free, contact surface: silver-plated, connection cross section: 0.14 mm² ... 0.34 mm², AWG 26 ... 22

CK1,6-ED-0,50M AG - Crimp contact

1266195

<https://www.phoenixcontact.com/us/products/1266195>



Crimp contact, contact diameter: 1.6 mm, turned, Pin, contact material: Copper alloy, lead-free, contact surface: silver-plated, connection cross section: 0.5 mm² ... 0.5 mm², AWG 20

HC-Q12-I-CT-M - Contact insert

1418626

<https://www.phoenixcontact.com/us/products/1418626>



CK1,6-ED-1,50M AG - Crimp contact

1266245

<https://www.phoenixcontact.com/us/products/1266245>



Crimp contact, contact diameter: 1.6 mm, turned, Pin, contact material: Copper alloy, lead-free, contact surface: silver-plated, connection cross section: 1.5 mm² ... 1.5 mm², AWG 16

CK1,6-ED-0,75M AG - Crimp contact

1266450

<https://www.phoenixcontact.com/us/products/1266450>



Crimp contact, contact diameter: 1.6 mm, turned, Pin, contact material: Copper alloy, lead-free, contact surface: silver-plated, connection cross section: 0.75 mm² ... 0.75 mm², AWG 18

HC-Q12-I-CT-M - Contact insert

1418626

<https://www.phoenixcontact.com/us/products/1418626>



CK1,6-ED-1,00M AG - Crimp contact

1266244

<https://www.phoenixcontact.com/us/products/1266244>



Crimp contact, contact diameter: 1.6 mm, turned, Pin, contact material: Copper alloy, lead-free, contact surface: silver-plated, connection cross section: 1 mm² ... 1 mm², AWG 18

CK1,6-ED-2,50M AG - Crimp contact

1266247

<https://www.phoenixcontact.com/us/products/1266247>



Crimp contact, contact diameter: 1.6 mm, turned, Pin, contact material: Copper alloy, lead-free, contact surface: silver-plated, connection cross section: 2.5 mm² ... 2.5 mm², AWG 14

HC-Q12-I-CT-M - Contact insert

1418626

<https://www.phoenixcontact.com/us/products/1418626>



CK1,6-ED-0,37ST AU - Crimp contact

1674901

<https://www.phoenixcontact.com/us/products/1674901>



Crimp contact, contact diameter: 1.6 mm, turned, Pin, contact material: Copper alloy, contact surface: gold-plated, connection cross section: 0.14 mm² ... 0.37 mm², AWG 22 ... 24

CK1,6-ED-0,50ST AU - Crimp contact

1672453

<https://www.phoenixcontact.com/us/products/1672453>



Crimp contact, contact diameter: 1.6 mm, turned, Pin, contact material: Copper alloy, contact surface: gold-plated, connection cross section: 0.5 mm² ... 0.5 mm², AWG 20

HC-Q12-I-CT-M - Contact insert

1418626

<https://www.phoenixcontact.com/us/products/1418626>



CK1,6-ED-0,75ST AU - Crimp contact

1674914

<https://www.phoenixcontact.com/us/products/1674914>



Crimp contact, contact diameter: 1.6 mm, turned, Pin, contact material: Copper alloy, contact surface: gold-plated, connection cross section: 0.75 mm² ... 0.75 mm², AWG 18

CK1,6-ED-1,00ST AU - Crimp contact

1674888

<https://www.phoenixcontact.com/us/products/1674888>



Crimp contact, contact diameter: 1.6 mm, turned, Pin, contact material: Copper alloy, contact surface: gold-plated, connection cross section: 1 mm² ... 1 mm², AWG 18

HC-Q12-I-CT-M - Contact insert

1418626

<https://www.phoenixcontact.com/us/products/1418626>



CK1,6-ED-1,50ST AU - Crimp contact

1674875

<https://www.phoenixcontact.com/us/products/1674875>



Crimp contact, contact diameter: 1.6 mm, turned, Pin, contact material: Copper alloy, contact surface: gold-plated, connection cross section: 1.5 mm² ... 1.5 mm², AWG 16

CK1,6-ED-2,50ST AU - Crimp contact

1674927

<https://www.phoenixcontact.com/us/products/1674927>



Crimp contact, contact diameter: 1.6 mm, turned, Pin, contact material: Copper alloy, contact surface: gold-plated, connection cross section: 2.5 mm² ... 2.5 mm², AWG 14

HC-Q12-I-CT-M - Contact insert

1418626

<https://www.phoenixcontact.com/us/products/1418626>



CK1,6-ER-1,00ST OIC AG - Crimp contact

1004360

<https://www.phoenixcontact.com/us/products/1004360>



Crimp contact, contact diameter: 1.6 mm, rolled, Pin, contact material: Cu alloy, nickel-plated, contact surface: silver-plated, connection cross section: 0.34 mm² ... 1 mm², AWG 22 ... 17

CK1,6-ER-2,50ST OIC AG - Crimp contact

1004365

<https://www.phoenixcontact.com/us/products/1004365>



Crimp contact, contact diameter: 1.6 mm, rolled, Pin, contact material: Cu alloy, nickel-plated, contact surface: silver-plated, connection cross section: 1.5 mm² ... 2.5 mm², AWG 16 ... 14

HC-Q12-I-CT-M - Contact insert

1418626

<https://www.phoenixcontact.com/us/products/1418626>



CK1,6-BR-1,00ST OIC AG - Crimp contact

1004380

<https://www.phoenixcontact.com/us/products/1004380>



Crimp contact, contact diameter: 1.6 mm, rolled, Pin, contact material: Cu alloy, nickel-plated, contact surface: silver-plated, connection cross section: 0.34 mm² ... 1 mm², AWG 22 ... 17, Taped products

CK1,6-BR-2,50ST OIC AG - Crimp contact

1004382

<https://www.phoenixcontact.com/us/products/1004382>



Crimp contact, contact diameter: 1.6 mm, rolled, Pin, contact material: Cu alloy, nickel-plated, contact surface: silver-plated, connection cross section: 1.5 mm² ... 2.5 mm², AWG 16 ... 14, Taped products

HC-Q12-I-CT-M - Contact insert

1418626

<https://www.phoenixcontact.com/us/products/1418626>



HC-Q12-I-CT-F - Contact insert

1418625

<https://www.phoenixcontact.com/us/products/1418625>



Contact insert, number of positions: 12+PE, size: D7, number of connections per position: 1, Socket, Crimp connection, 400 V, 12 A, 0.14 mm² ... 2.5 mm²

HC-D 7-DS-IP65 - Sealing screw

1686229

<https://www.phoenixcontact.com/us/products/1686229>



Sealing screw, size: Countersunk head, IP67, replacement part for D7 size HEAVYCON housing

Phoenix Contact 2023 © - all rights reserved
<https://www.phoenixcontact.com>

Phoenix Contact USA
586 Fulling Mill Road
Middletown, PA 17057, United States
(+717) 944-1300
info@phoenixcon.com