



# 9450SL Series

## Thin-Trim® Trimmer Capacitors

The Thin-Trim® 9450 series capacitor is an advanced development in miniaturized trimmers for applications in circuits where size and performance are critical. These one-half turn ceramic capacitors feature high Q performance up to 2 gigahertz and beyond.

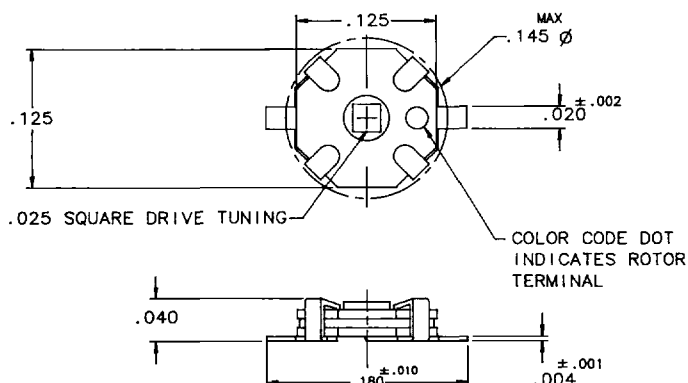
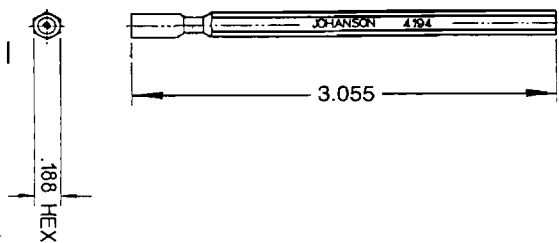
### Applications

- Filter networks
- Crystal trimming
- Interstage coupling
- Impedance matching
- Antenna tuning
- Avionics

### Characteristics

- Rated voltage: 250 VDC
- Torque: 0.05 to 1.5 oz.in.
- Insulation resistance:  $>10^4$  Meg  $\Omega$
- Operating temperature range:  $-20^\circ\text{C}$  to  $+85^\circ\text{C}$

JMC Square Drive Tuning Tool 4194



### Specifications

JMC P/N	RANGE $\mu\text{F}$	TC PPM/ $^\circ\text{C}$	MIN. Q@ 100 MHz	COLOR CODE
9450-0SL-1C	0.6 to 2.2	$100 \pm 100$	$>3000$	RED
9450-1SL-1C	1.0 to 4.5	$100 \pm 100$	$>1000$	BLACK
9450-2SL-1C	2.0 to 6.0	$-50 \pm 100$	$>1000$	ORANGE
9450-3SL-1C	3.0 to 10.0	$-50 \pm 100$	$>1000$	BLUE
9450-4SL-1C	5.0 to 18.0	$-450 \pm 300$	$>500$	GREY

Add Suffix to JMC P/N for reel packaging:  
R3 = 1500 pieces (7" reel)  
R4 = 6000 pieces (13" reel)

