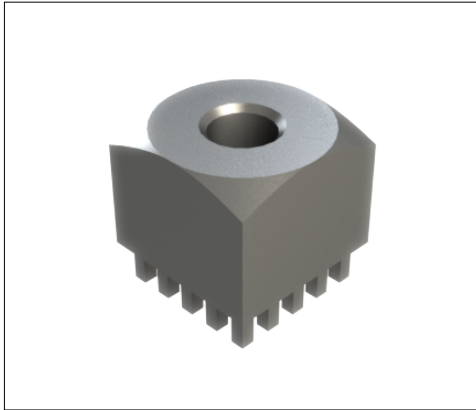


PowerOne Bush vertical through hole | K93172

MEPT - SV 13X13 - M6/10 - P16/1.60/3.50 rmB - RM2.54



Product properties

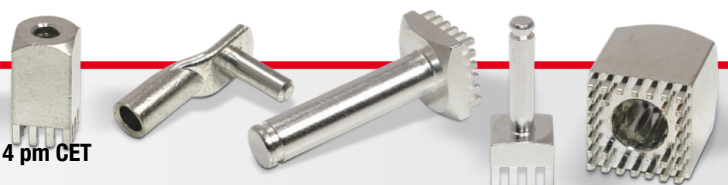
Socket	Square 13.0 x 13.0 mm
Height total	13.5
Terminal	Bush M 6, L 10.0 mm
No. of pins	16
Pin size	1.6
Pin length	3.5
Pin alignment	Circumference with hole
Grid dimension X	2.54
Grid dimension Y	2.54
Material	CuZn39Pb3
Surface	tin

Commercial data

Packaging unit	250 Pieces
Weight per piece	12,52 g
Customs tariff number	85369095
Country of origin	DE

Technical data

Design	
General	
Current per PIN (20°C) ~	15 A
Current per PIN (85°C) ~	9 A
Current part (20°C) ~	240 A
Current part (85°C) ~	144 A
Material	



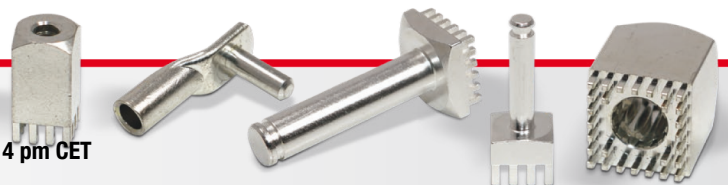
Surface	
---------	--

Dimensions

Height total	13,50 mm
Height over pcb	10,00 mm
Terminal	2
Type	
Thread/Diameter	6,00
Thread length	10,00 mm
Socket length	13,00 mm
Socket width	13,00 mm
Base height	10,00 mm
Pin length	3,50 mm
Pin diagonal	1,60 mm
Pin alignment	
Grid dimension X	2,54 mm
Grid dimension Y	2,54 mm
No. of Pins	16

Assembly

Torque	3,90 Nm
Assembly type PCB	
Press-in force min.	640 N
Press-in force max.	4000 N
Press-in speed min.	100 mm/min.



Printed Circuit Board

Drill diameter	1,60 mm
End diameter HAL surface	1,45 mm
End diameter chemical surface	1,48 mm

