

# S4-IS-PIIATA-1G-001

Centon PCMCIA ATA Card - Industrial, 1GB



\*Image may not represent actual product

## General Specifications

<b>Part Number Form</b>	S4-IS-PIIATA-1G-001	<b>Pin Count</b>	68 Pin
<b>Capacity</b>	1GB	<b>Max. Read Speed</b>	24MB/s
<b>Form Factor</b>	PCMCIAII	<b>Max. Write Speed</b>	18MB/s
<b>Function</b>	ATA	<b>Min. Bytes</b>	966,367,641 bytes
		<b>Voltage</b>	3.3V / 5V

## Flash Specifications

<b>Flash Manufacturer</b>	Toshiba	<b>Flash Config</b>	8Gbitx8
<b>Flash Part Number</b>	TC58NVG3S0FTA00	<b>Flash Quantity</b>	1
<b>Flash Type</b>	SLC	<b>Flash Package</b>	TSOP

## Controller Specifications

<b>Controller</b>	F4-LAT05	<b>Controller Mfg.</b>	Hyperstone
<b>Firmware</b>	130826		

## Environment

<b>Operating Temp</b>	Industrial (-40 to 85C)	<b>Storage Temp</b>	(-55 to +95C)
-----------------------	-------------------------	---------------------	---------------

S4-IS-PIIATA-1G-001

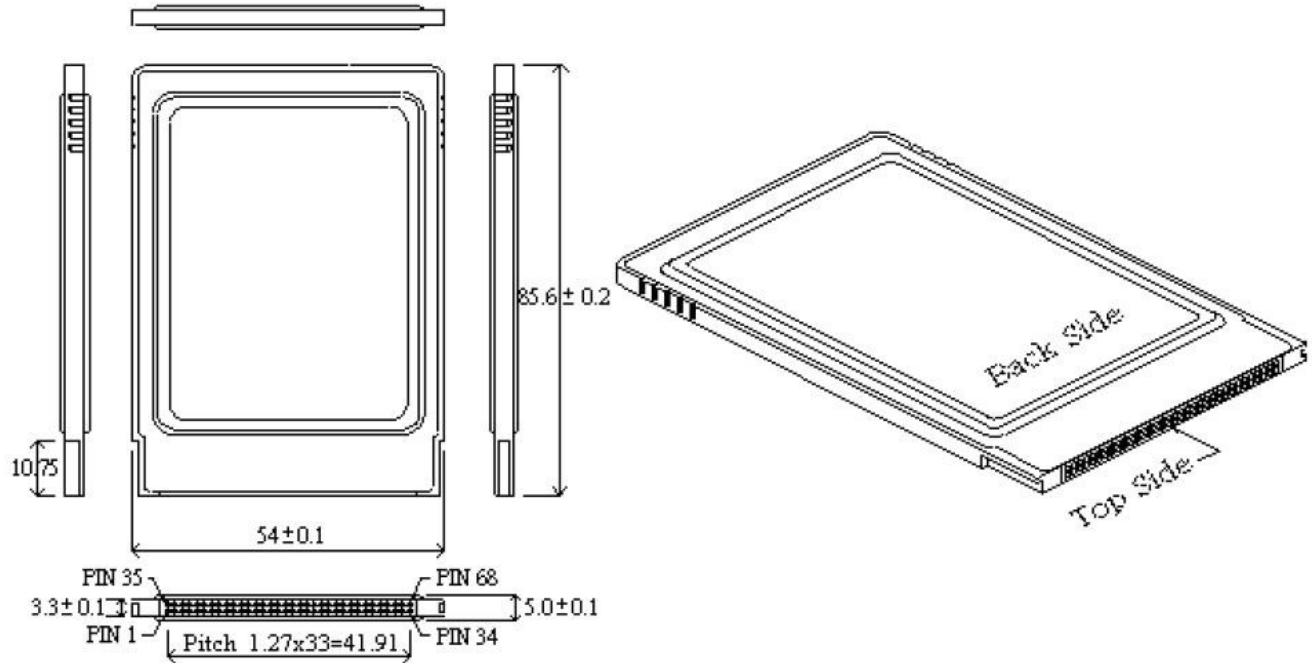
©2012 CENTON ELECTRONICS INC. RESERVES THE RIGHT TO CHANGE PRODUCTS, INFORMATION AND SPECIFICATIONS WITHOUT NOTICE. Products and specifications discussed herein are for reference purposes only. All information discussed herein is provided on an 'AS IS' basis, without warranties of any kind. This document and all information discussed herein remain the sole and exclusive property of Centon Electronics. No license of any patent, copyright, mask work, trademark or any other intellectual property right is granted by one party to the other party under this document, by implication, or other-wise. Centon products are not intended for use in life support, critical care, medical, safety equipment, or similar applications where product failure could result in loss of life or personal or physical harm, or any military or defense application, or any governmental procurement to which special terms or provisions may apply. The information set forth in this document is considered to be 'Proprietary' and 'Confidential' property owned by Centon. Although considered final, these specifications are subject to change, as further product development and data characterization sometimes occur.

## Pin Out Diagram

PC Card Memory Mode			PC Card I/O Mode			True IDE Mode		
No.	Pin Name	I/O	No.	Pin Name	I/O	No.	Pin Name	I/O
1	GND	-	1	GND		1	GND	-
2	D03	I/O	2	D03	I/O	2	D03	I/O
3	D04	I/O	3	D04	I/O	3	D04	I/O
4	D05	I/O	4	D05	I/O	4	D05	I/O
5	D06	I/O	5	D06	I/O	5	D06	I/O
6	D07	I/O	6	D07	I/O	6	D07	I/O
7	#CE1	I	7	#CE1	I	7	#CS1	I
8	A10	I	8	A10	I	8	A10	I
9	#OE	I	9	#OE	I	9	#ATASEL	I
10	---	-	10	---	-	10	---	-
11	A09	I	11	A09	I	11	A09	I
12	A08	I	12	A08	I	12	A08	I
13	---	-	13	---	-	13	---	-
14	---	-	14	---	-	14	---	-
15	#WE	I	15	#WE	I	15	#WE	I
16	RDY/#BSY	O	16	#IREQ	O	16	INTRQ	O
17	VCC	-	17	VCC	-	17	VCC	-
18	---	-	18	---	-	18	---	-
19	---	-	19	---	-	19	---	-
20	---	-	20	---	-	20	---	-
21	---	-	21	---	-	21	---	-
22	A07	I	22	A07	I	22	A07	I
23	A06	I	23	A06	I	23	A06	I
24	A05	I	24	A05	I	24	A05	I
25	A04	I	25	A04	I	25	A04	I
26	A03	I	26	A03	I	26	A03	I
27	A02	I	27	A02	I	27	A02	I
28	A01	I	28	A01	I	28	A01	I
29	A00	I	29	A00	I	29	A00	I
30	D00	I/O	30	D00	I/O	30	D00	I/O
31	D01	I/O	31	D01	I/O	31	D01	I/O
32	D02	I/O	32	D02	I/O	32	D02	I/O

PC Card Memory Mode			PC Card I/O Mode			True IDE Mode		
33	WP	O	33	#IOIS16	O	33	#IOIS16	O
34	GND	-	34	GND	-	34	GND	-
35	GND	-	35	GND	-	35	GND	-
36	#CD1	O	36	#CD1	O	36	#CD1	O
37	D11	I/O	37	D11	I/O	37	D11	I/O
38	D12	I/O	38	D12	I/O	38	D12	I/O
39	D13	I/O	39	D13	I/O	39	D13	I/O
40	D14	I/O	40	D14	I/O	40	D14	I/O
41	D15	I/O	41	D15	I/O	41	D15	I/O
42	#CE2	I	42	#CE2	I	42	#CS2	I
43	#VS1	O	43	#VS1	O	43	#VS1	O
44	RESERVED	-	44	#IORD	I	44	#IORD	I
45	RESERVED	-	45	#IOWR	I	45	#IOWR	I
46	---	-	46	---	-	46	---	-
47	---	-	47	---	-	47	---	-
48	---	-	48	---	-	48	---	-
49	---	-	49	---	-	49	---	-
50	---	-	50	---	-	50	---	-
51	VCC	-	51	VCC	-	51	VCC	-
52	---	-	52	---	-	52	---	-
53	---	-	53	---	-	53	---	-
54	---	-	54	---	-	54	---	-
55	---	-	55	---	-	55	---	-
56	#CSEL	I	56	#CSEL	I	56	#CSEL	I
57	#VS2	O	57	#VS2	O	57	#VS2	O
58	RESET	I	58	RESET	I	58	#RESET	I
59	#WAIT	O	59	#WAIT	O	59	IORDY	O
60	RESERVED	-	60	#INPACK	O	60	#INPACK	O
61	#REG	I	61	#REG	I	61	#REG	I
62	BVD2	I/O	62	#SPKR	I/O	62	#DASP	I/O
63	BVD1	I/O	63	#STSCHG	I/O	63	#PDIAG	I/O
64	D08	I/O	64	D08	I/O	64	D08	I/O
65	D09	I/O	65	D09	I/O	65	D09	I/O
66	D10	I/O	66	D10	I/O	66	D10	I/O
67	#CD2	O	67	#CD2	O	67	#CD2	O
68	GND	-	68	GND	-	68	GND	-

## Physical Dimensions



## Functional Diagram

