

SN55461 THRU SN55463 SN75461 THRU SN75463 DUAL PERIPHERAL DRIVERS

SLRS022A – DECEMBER 1976 – REVISED OCTOBER 1995

PERIPHERAL DRIVERS FOR HIGH-VOLTAGE, HIGH-CURRENT DRIVER APPLICATIONS

- Characterized for Use to 300 mA
- High-Voltage Outputs
- No Output Latch-Up at 30 V (After Conducting 300 mA)
- Medium-Speed Switching
- Circuit Flexibility for Varied Applications and Choice of Logic Function
- TTL-Compatible Diode-Clamped Inputs
- Standard Supply Voltages
- Plastic DIP (P) With Copper Lead Frame for Cooler Operation and Improved Reliability
- Package Options Include Plastic Small Outline Packages, Ceramic Chip Carriers, and Standard Plastic and Ceramic 300-mil DIPs

SUMMARY OF SERIES 55461/75461

| DEVICE | LOGIC | PACKAGES |
|---------|-------|----------|
| SN55461 | AND | FK, JG |
| SN55462 | NAND | FK, JG |
| SN55463 | OR | FK, JG |
| SN75461 | AND | D, P |
| SN75462 | NAND | D, P |
| SN75463 | OR | D, P |

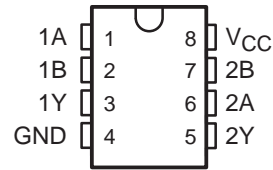
description

These dual peripheral drivers are functionally interchangeable with SN55451B through SN55453B and SN75451B through SN75453B peripheral drivers, but are designed for use in systems that require higher breakdown voltages than those devices can provide at the expense of slightly slower switching speeds. Typical applications include logic buffers, power drivers, relay drivers, lamp drivers, MOS drivers, line drivers, and memory drivers.

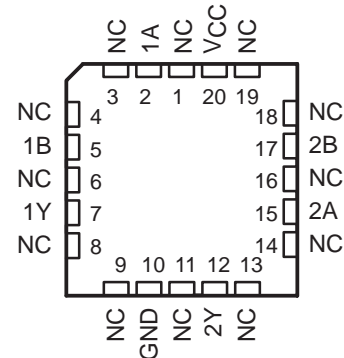
The SN55461/SN75461, SN55462/SN75462, and SN55463/SN75463 are dual peripheral AND, NAND, and OR drivers respectively (assuming positive logic), with the output of the gates internally connected to the bases of the npn output transistors.

Series SN55461 drivers are characterized for operation over the full military temperature range of -55°C to 125°C . Series SN75461 drivers are characterized for operation from 0°C to 70°C .

SN55461, SN55462, SN55463 . . . JG PACKAGE
SN75461, SN75462, SN75463 . . . D OR P PACKAGE
(TOP VIEW)



SN55461, SN55462, SN55463 . . . FK PACKAGE
(TOP VIEW)



NC – No internal connection

SN55461 THRU SN55463
SN75461 THRU SN75463
DUAL PERIPHERAL DRIVERS

SLRS022A – DECEMBER 1976 – REVISED OCTOBER 1995

absolute maximum ratings over operating free-air temperature range (unless otherwise noted)†

| | SN55' | SN75' | UNIT |
|---|------------------------------|------------|------|
| Supply voltage, V_{CC} (see Note 1) | 7 | 7 | V |
| Input voltage, V_I | 5.5 | 5.5 | V |
| Intermitter voltage (see Note 2) | 5.5 | 5.5 | V |
| Off-state output voltage, V_O | 35 | 35 | V |
| Continuous collector or output current (see Note 3) | 400 | 400 | mA |
| Peak collector or output current ($t_W \leq 10$ ms, duty cycle $\leq 50\%$, see Note 4) | 500 | 500 | mA |
| Continuous total power dissipation | See Dissipation Rating Table | | |
| Operating free-air temperature range, T_A | -55 to 125 | 0 to 70 | °C |
| Storage temperature range, T_{stg} | -65 to 150 | -65 to 150 | °C |
| Case temperature for 60 seconds, T_C | FK package | 260 | °C |
| Lead temperature 1,6 mm (1/16 inch) from case for 60 seconds | JG package | 300 | °C |
| Lead temperature 1,6 mm (1/16 inch) from case for 10 seconds | D or P package | 260 | °C |

† Stresses beyond those listed under "absolute maximum ratings" may cause permanent damage to the device. These are stress ratings only, and functional operation of the device at these or any other conditions beyond those indicated under "recommended operating conditions" is not implied. Exposure to absolute-maximum-rated conditions for extended periods may affect device reliability.

- NOTES:
1. Voltage values are with respect to network GND unless otherwise specified.
 2. This is the voltage between two emitters A and B.
 3. This value applies when the base-emitter resistance (R_{BE}) is equal to or less than 500 Ω .
 4. Both halves of these dual circuits may conduct rated current simultaneously; however, power dissipation averaged over a short time interval must fall within the continuous dissipation rating.

DISSIPATION RATING TABLE

| PACKAGE | $T_A \leq 25^\circ\text{C}$ POWER RATING | DERATING FACTOR ABOVE $T_A = 25^\circ\text{C}$ | $T_A = 70^\circ\text{C}$ POWER RATING | $T_A = 125^\circ\text{C}$ POWER RATING |
|---------|---|---|--|---|
| D | 725 mW | 5.8 mW/°C | 464 mW | – |
| FK | 1375 mW | 11.0 mW/°C | 880 mW | 275 mW |
| JG | 1050 mW | 8.4 mW/°C | 672 mW | 210 mW |
| P | 1000 mW | 8.0 mW/°C | 640 mW | – |

recommended operating conditions

| | SN55' | | | SN75' | | | UNIT |
|---------------------------------------|-------|-----|-----|-------|-----|------|------|
| | MIN | NOM | MAX | MIN | NOM | MAX | |
| Supply voltage, V_{CC} | 4.5 | 5 | 5.5 | 4.75 | 5 | 5.25 | V |
| High-level input voltage, V_{IH} | 2 | | | 2 | | | V |
| Low-level input voltage, V_{IL} | 0.8 | | | 0.8 | | | V |
| Operating free-air temperature, T_A | -55 | | 125 | 0 | | 70 | °C |

SN55461 THRU SN55463 SN75461 THRU SN75463 DUAL PERIPHERAL DRIVERS

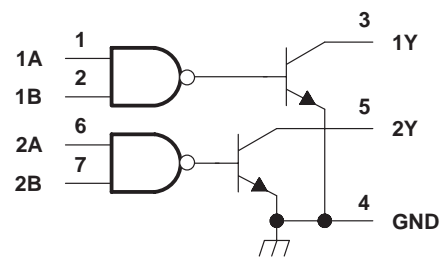
SLRS022A – DECEMBER 1976 – REVISED OCTOBER 1995

logic symbol†



† This symbol is in accordance with ANSI/IEEE Std 91-1984 and IEC Publication 617-12. Pin numbers shown are for D, JG, and P packages.

logic diagram (positive logic)

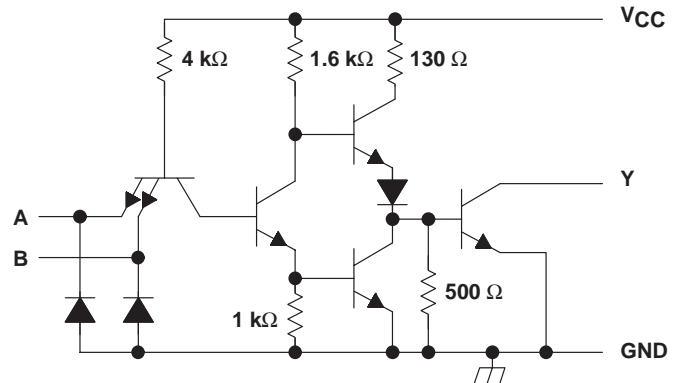


FUNCTION TABLE
(each driver)

| A | B | Y |
|---|---|---------------|
| L | L | L (on state) |
| L | H | L (on state) |
| H | L | L (on state) |
| H | H | H (off state) |

positive logic:
 $Y = AB$ or $\overline{A + B}$

schematic (each driver)



Resistor values shown are nominal.

electrical characteristics over recommended operating free-air temperature range

| PARAMETER | TEST CONDITIONS† | SN55461 | | SN75461 | | UNIT | |
|--|--|---------|------|---------|------|------|---------------|
| | | MIN | TYP‡ | MAX | MIN | | TYP‡ |
| V_{IK} Input clamp voltage | $V_{CC} = \text{MIN}$, $I_I = -12 \text{ mA}$ | | -1.2 | -1.5 | -1.2 | -1.5 | V |
| I_{OH} High-level output current | $V_{CC} = \text{MIN}$, $V_{IH} = \text{MIN}$, $V_{OH} = 35 \text{ V}$ | | | 300 | | 100 | μA |
| V_{OL} Low-level output voltage | $V_{CC} = \text{MIN}$, $V_{IL} = 0.8 \text{ V}$, $I_{OL} = 100 \text{ mA}$ | | 0.25 | 0.5 | 0.25 | 0.4 | V |
| | $V_{CC} = \text{MIN}$, $V_{IL} = 0.8 \text{ V}$, $I_{OL} = 300 \text{ mA}$ | | 0.5 | 0.8 | 0.5 | 0.7 | |
| I_I Input current at maximum input voltage | $V_{CC} = \text{MAX}$, $V_I = 5.5 \text{ V}$ | | | 1 | | 1 | mA |
| I_{IH} High-level input current | $V_{CC} = \text{MAX}$, $V_I = 2.4 \text{ V}$ | | | 40 | | 40 | μA |
| I_{IL} Low-level input current | $V_{CC} = \text{MAX}$, $V_I = 0.4 \text{ V}$ | | -1 | -1.6 | -1 | -1.6 | mA |
| I_{CCH} Supply current, outputs high | $V_{CC} = \text{MAX}$, $V_I = 5 \text{ V}$ | | 8 | 11 | 8 | 11 | mA |
| I_{CCL} Supply current, outputs low | $V_{CC} = \text{MAX}$, $V_I = 0$ | | 56 | 76 | 56 | 76 | mA |

† For conditions shown as MIN or MAX, use the appropriate value specified under recommended operating conditions.

‡ All typical values are at $V_{CC} = 5 \text{ V}$, $T_A = 25^\circ\text{C}$.

switching characteristics, $V_{CC} = 5 \text{ V}$, $T_A = 25^\circ\text{C}$

| PARAMETER | TEST CONDITIONS | MIN | TYP | MAX | UNIT |
|--|---|-------------------------------------|---|-----|------|
| t_{PLH} Propagation delay time, low-to-high-level output | $I_O \approx 200 \text{ mA}$, $C_L = 15 \text{ pF}$, $R_L = 50 \Omega$, See Figure 1 | | 30 | 55 | ns |
| t_{PHL} Propagation delay time, high-to-low-level output | | | 25 | 40 | |
| t_{TLH} Transition time, low-to-high-level output | | | 8 | 20 | |
| t_{THL} Transition time, high-to-low-level output | | | 10 | 20 | |
| V_{OH} High-level output voltage after switching | SN55461 | | $V_S - 10$ | | mV |
| | SN75461 | $V_S = 30 \text{ V}$, See Figure 2 | $I_O \approx 300 \text{ mA}$, $V_S - 10$ | | |

SN55461 THRU SN55463 SN75461 THRU SN75463 DUAL PERIPHERAL DRIVERS

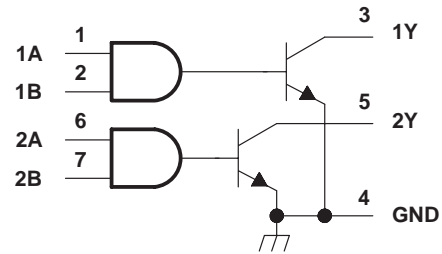
SLRS022A – DECEMBER 1976 – REVISED OCTOBER 1995

logic symbol†



† This symbol is in accordance with ANSI/IEEE Std 91-1984 and IEC Publication 617-12.
Pin numbers shown are for D, JG, and P packages.

logic diagram (positive logic)

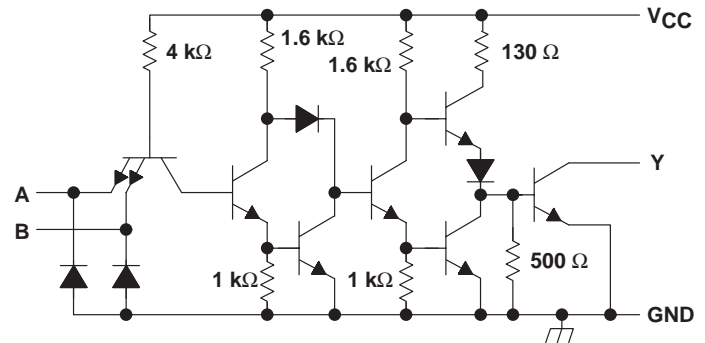


FUNCTION TABLE
(each driver)

| A | B | Y |
|---|---|---------------|
| L | L | H (off state) |
| L | H | H (off state) |
| H | L | H (off state) |
| H | H | L (on state) |

positive logic:
 $Y = \overline{AB}$ or $\overline{A + B}$

schematic (each driver)



Resistor values shown are nominal.

electrical characteristics over recommended operating free-air temperature range

| PARAMETER | TEST CONDITIONS† | SN55462 | | SN75462 | | UNIT |
|--|---|---------|------|---------|------|---------------|
| | | MIN | TYP‡ | MAX | MIN | |
| V_{IK} Input clamp voltage | $V_{CC} = \text{MIN}$, $I_I = -12 \text{ mA}$ | -1.2 | -1.5 | -1.2 | -1.5 | V |
| I_{OH} High-level output current | $V_{CC} = \text{MIN}$, $V_{IL} = 0.8 \text{ V}$, $V_{OH} = 35 \text{ V}$ | | 300 | | 100 | μA |
| V_{OL} Low-level output voltage | $V_{CC} = \text{MIN}$, $V_{IH} = \text{MIN}$, $I_{OL} = 100 \text{ mA}$ | 0.25 | 0.5 | 0.25 | 0.4 | V |
| | $V_{CC} = \text{MIN}$, $V_{IH} = \text{MIN}$, $I_{OL} = 300 \text{ mA}$ | 0.5 | 0.8 | 0.5 | 0.7 | |
| I_I Input current at maximum input voltage | $V_{CC} = \text{MAX}$, $V_I = 5.5 \text{ V}$ | | 1 | | 1 | mA |
| I_{IH} High-level input current | $V_{CC} = \text{MAX}$, $V_I = 2.4 \text{ V}$ | | 40 | | 40 | μA |
| I_{IL} Low-level input current | $V_{CC} = \text{MAX}$, $V_I = 0.4 \text{ V}$ | -1.1 | -1.6 | -1.1 | -1.6 | mA |
| I_{CCH} Supply current, outputs high | $V_{CC} = \text{MAX}$, $V_I = 0$ | 13 | 17 | 13 | 17 | mA |
| I_{CCL} Supply current, outputs low | $V_{CC} = \text{MAX}$, $V_I = 5 \text{ V}$ | 61 | 76 | 61 | 76 | mA |

† For conditions shown as MIN or MAX, use the appropriate value specified under recommended operating conditions.

‡ All typical values are at $V_{CC} = 5 \text{ V}$, $T_A = 25^\circ\text{C}$.

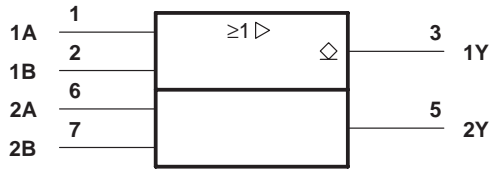
switching characteristics, $V_{CC} = 5 \text{ V}$, $T_A = 25^\circ\text{C}$

| PARAMETER | TEST CONDITIONS | MIN | TYP | MAX | UNIT |
|--|---|------------|-----|-----|------|
| t_{PLH} Propagation delay time, low-to-high-level output | $I_O \approx 200 \text{ mA}$, $C_L = 15 \text{ pF}$, $R_L = 50 \Omega$, See Figure 1 | | 45 | 65 | ns |
| t_{PHL} Propagation delay time, high-to-low-level output | | | 30 | 50 | |
| t_{TLH} Transition time, low-to-high-level output | | | 13 | 25 | |
| t_{THL} Transition time, high-to-low-level output | | | 10 | 20 | |
| V_{OH} High-level output voltage after switching | SN55462 | $V_S - 10$ | | mV | |
| | SN75462 | $V_S - 10$ | | | |

SN55461 THRU SN55463 SN75461 THRU SN75463 DUAL PERIPHERAL DRIVERS

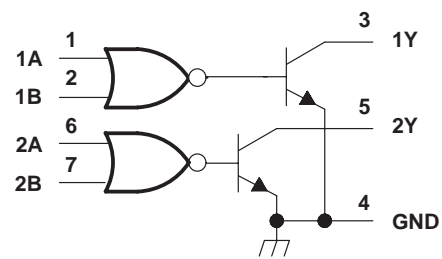
SLRS022A – DECEMBER 1976 – REVISED OCTOBER 1995

logic symbol†



† This symbol is in accordance with ANSI/IEEE Std 91-1984 and IEC Publication 617-12.
Pin numbers shown are for D, JG, and P packages.

logic diagram (positive logic)

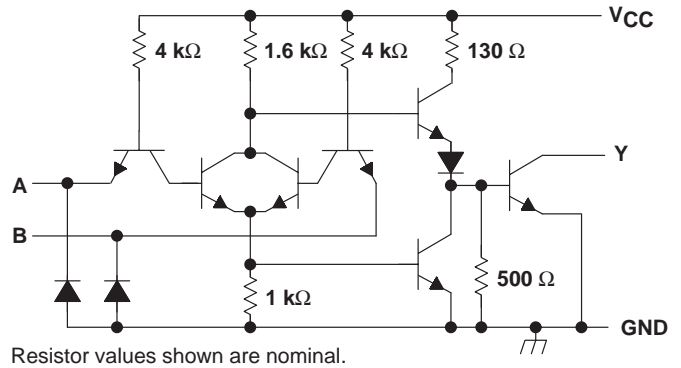


FUNCTION TABLE
(each driver)

| A | B | Y |
|---|---|---------------|
| L | L | L (on state) |
| L | H | H (off state) |
| H | L | H (off state) |
| H | H | H (off state) |

positive logic:
 $Y = A + B$ or $\overline{A} \overline{B}$

schematic (each driver)



electrical characteristics over recommended operating free-air temperature range

| PARAMETER | TEST CONDITIONS† | SN55463 | | SN75463 | | UNIT |
|--|---|---------|------|---------|------|---------------|
| | | MIN | TYP‡ | MAX | MIN | |
| V_{IK} Input clamp voltage | $V_{CC} = \text{MIN}$, $I_I = -12 \text{ mA}$ | -1.2 | -1.5 | -1.2 | -1.5 | V |
| I_{OH} High-level output current | $V_{CC} = \text{MIN}$, $V_{IH} = \text{MIN}$, $V_{OH} = 35 \text{ V}$ | | 300 | | 100 | μA |
| V_{OL} Low-level output voltage | $V_{CC} = \text{MIN}$, $V_{IL} = 0.8 \text{ V}$, $I_{OL} = 100 \text{ mA}$ | 0.25 | 0.5 | 0.25 | 0.4 | V |
| | $V_{CC} = \text{MIN}$, $V_{IL} = 0.8 \text{ V}$, $I_{OL} = 300 \text{ mA}$ | 0.5 | 0.8 | 0.5 | 0.7 | |
| I_I Input current at maximum input voltage | $V_{CC} = \text{MAX}$, $V_I = 5.5 \text{ V}$ | | 1 | | 1 | mA |
| I_{IH} High-level input current | $V_{CC} = \text{MAX}$, $V_I = 2.4 \text{ V}$ | | 40 | | 40 | μA |
| I_{IL} Low-level input current | $V_{CC} = \text{MAX}$, $V_I = 0.4 \text{ V}$ | -1 | -1.6 | -1 | -1.6 | mA |
| I_{CCH} Supply current, outputs high | $V_{CC} = \text{MAX}$, $V_I = 5 \text{ V}$ | 8 | 11 | 8 | 11 | mA |
| I_{CCL} Supply current, outputs low | $V_{CC} = \text{MAX}$, $V_I = 0$ | 58 | 76 | 58 | 76 | mA |

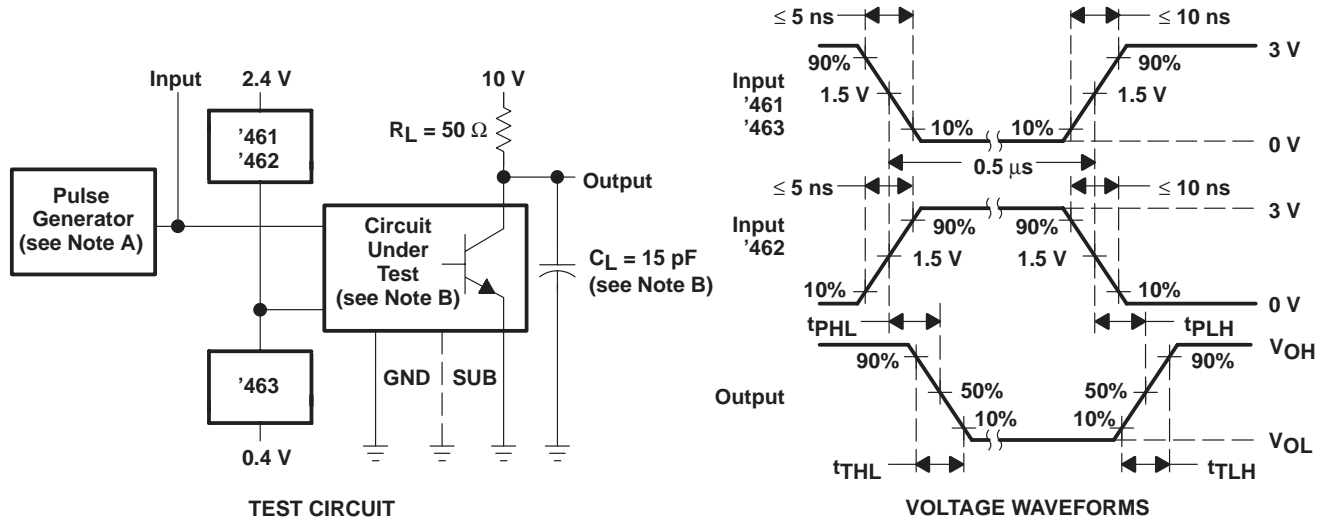
† For conditions shown as MIN or MAX, use the appropriate value specified under recommended operating conditions.

‡ All typical values are at $V_{CC} = 5 \text{ V}$, $T_A = 25^\circ\text{C}$.

switching characteristics, $V_{CC} = 5 \text{ V}$, $T_A = 25^\circ\text{C}$

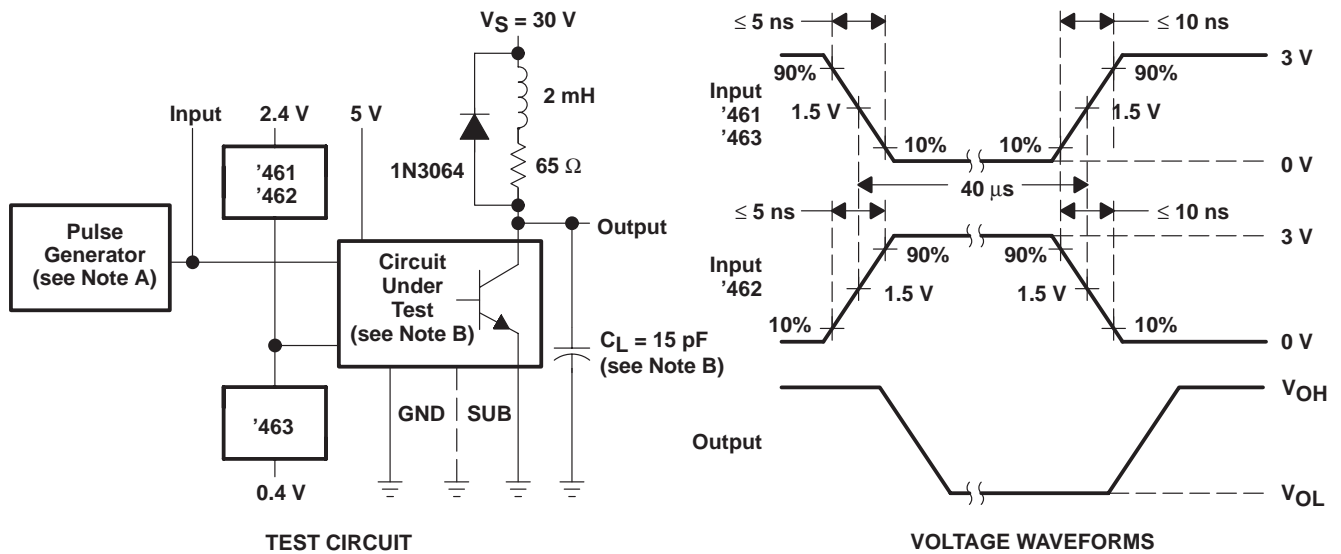
| PARAMETER | TEST CONDITIONS | MIN | TYP | MAX | UNIT |
|--|---|------------|-----|-----|------|
| t_{PLH} Propagation delay time, low-to-high-level output | $I_O \approx 200 \text{ mA}$, $C_L = 15 \text{ pF}$, $R_L = 50 \Omega$, See Figure 1 | | 30 | 55 | ns |
| t_{PHL} Propagation delay time, high-to-low-level output | | | 25 | 40 | |
| t_{TLH} Transition time, low-to-high-level output | | | 8 | 25 | |
| t_{THL} Transition time, high-to-low-level output | | | 10 | 25 | |
| V_{OH} High-level output voltage after switching | SN55463 | $V_S - 10$ | | mV | |
| | SN75463 | $V_S - 10$ | | | |

PARAMETER MEASUREMENT INFORMATION



NOTES: A. The pulse generator has the following characteristics: PRR \leq 1 MHz, $Z_O \approx 50 \Omega$.
 B. C_L includes probe and jig capacitance.

Figure 1. Test Circuit and Voltage Waveforms for Switching Times



NOTES: A. The pulse generator has the following characteristics: PRR \leq 12.5 kHz, $Z_O = 50 \Omega$.
 B. C_L includes probe and jig capacitance.

Figure 2. Test Circuit and Voltage Waveforms for Latch-Up Test

IMPORTANT NOTICE

Texas Instruments and its subsidiaries (TI) reserve the right to make changes to their products or to discontinue any product or service without notice, and advise customers to obtain the latest version of relevant information to verify, before placing orders, that information being relied on is current and complete. All products are sold subject to the terms and conditions of sale supplied at the time of order acknowledgement, including those pertaining to warranty, patent infringement, and limitation of liability.

TI warrants performance of its semiconductor products to the specifications applicable at the time of sale in accordance with TI's standard warranty. Testing and other quality control techniques are utilized to the extent TI deems necessary to support this warranty. Specific testing of all parameters of each device is not necessarily performed, except those mandated by government requirements.

CERTAIN APPLICATIONS USING SEMICONDUCTOR PRODUCTS MAY INVOLVE POTENTIAL RISKS OF DEATH, PERSONAL INJURY, OR SEVERE PROPERTY OR ENVIRONMENTAL DAMAGE ("CRITICAL APPLICATIONS"). TI SEMICONDUCTOR PRODUCTS ARE NOT DESIGNED, AUTHORIZED, OR WARRANTED TO BE SUITABLE FOR USE IN LIFE-SUPPORT DEVICES OR SYSTEMS OR OTHER CRITICAL APPLICATIONS. INCLUSION OF TI PRODUCTS IN SUCH APPLICATIONS IS UNDERSTOOD TO BE FULLY AT THE CUSTOMER'S RISK.

In order to minimize risks associated with the customer's applications, adequate design and operating safeguards must be provided by the customer to minimize inherent or procedural hazards.

TI assumes no liability for applications assistance or customer product design. TI does not warrant or represent that any license, either express or implied, is granted under any patent right, copyright, mask work right, or other intellectual property right of TI covering or relating to any combination, machine, or process in which such semiconductor products or services might be or are used. TI's publication of information regarding any third party's products or services does not constitute TI's approval, warranty or endorsement thereof.

SN55462, Dual High-Voltage, High-Current Peripheral Drivers

 DEVICE STATUS: **ACTIVE**

FEATURES

[Back to Top](#)

PERIPHERAL DRIVERS FOR HIGH-VOLTAGE, HIGH-CURRENT DRIVER APPLICATIONS

- Characterized for Use to 300 mA
- High-Voltage Outputs
- No Output Latch-Up at 30 V (After Conducting 300 mA)
- Medium-Speed Switching
- Circuit Flexibility for Varied Applications and Choice of Logic Function
- TTL-Compatible Diode-Clamped Inputs
- Standard Supply Voltages
- Plastic DIP (P) With Copper Lead Frame for Cooler Operation and Improved Reliability
- Package Options Include Plastic Small Outline Packages, Ceramic Chip Carriers, and Standard Plastic and Ceramic 300-mil DIPs

DESCRIPTION

[Back to Top](#)

These dual peripheral drivers are functionally interchangeable with SN55451B through SN55453B and SN75451B through SN75453B peripheral drivers, but are designed for use in systems that require higher breakdown voltages than those devices can provide at the expense of slightly slower switching speeds. Typical applications include logic buffers, power drivers, relay drivers, lamp drivers, MOS drivers, line drivers, and memory drivers.

The SN55461/SN75461, SN55462/SN75462, and SN55463/SN75463 are dual peripheral AND, NAND, and OR drivers respectively (assuming positive logic), with the output of the gates internally connected to the bases of the npn output transistors.

Series SN55461 drivers are characterized for operation over the full military temperature range of -55°C to 125°C. Series SN75461 drivers are characterized for operation from 0°C to 70°C.

TECHNICAL DOCUMENTS

[Back to Top](#)

To view the following documents, [Acrobat Reader 3.x](#) is required.
To download a document to your hard drive, right-click on the link and choose 'Save'.

DATASHEET

[Back to Top](#)

Full datasheet in Acrobat PDF: [slrs022a.pdf](#) (130 KB) (Updated: 10/01/1995)

Full datasheet in Zipped PostScript: [slrs022a.psz](#) (121 KB)

RELATED DOCUMENTS

[Back to Top](#)

- [PowerFLEX Surface Mount Power Packaging Marketing Documentation \(SLIT115A, 319 KB - Updated: 02/15/1999\)](#)

PRICING/AVAILABILITY

[Back to Top](#)

| <u>ORDERABLE DEVICE</u> | <u>PACKAGE</u> | <u>PINS</u> | <u>TEMP (°C)</u> | <u>STATUS</u> | <u>BUDGETARY PRICE US\$/UNIT QTY= 1000+</u> | <u>PACK QTY</u> | <u>DSCC NUMBER</u> | <u>PRICING/AVAILABILITY</u> |
|-------------------------|----------------|-------------|------------------|---------------|---|-----------------|--------------------|-----------------------------|
| JM38510/12908BPA | <u>JG</u> | 8 | -55 TO 125 | ACTIVE | 17.16 | 1 | | <u>Check stock or order</u> |
| SN55462JG | <u>JG</u> | 8 | -55 TO 125 | OBSOLETE | | | | |
| SNJ55462FK | <u>FK</u> | 20 | -55 TO 125 | ACTIVE | 8.94 | 1 | | <u>Check stock or order</u> |
| SNJ55462JG | <u>JG</u> | 8 | -55 TO 125 | ACTIVE | 1.86 | 1 | | <u>Check stock or order</u> |

Table Data Updated on: 11/8/2000

© Copyright 2000 Texas Instruments Incorporated. All rights reserved. [Trademarks](#) | [Privacy Policy](#) | [Important Notice](#)

| | | | |
|---------------------------------|--------------------------|--------------------------|----------------------------|
| Advanced Search | TI Home | TI_ME | Employment |
| Tech Support | Comments | Site Map | TI Global |

[PRODUCT FOLDER](#) | [PRODUCT INFO:](#) [FEATURES](#) | [DESCRIPTION](#) | [DATASHEETS](#) | [PRICING/AVAILABILITY](#) | [RELATED DOCUMENTS](#)

SN55463, Dual High-Voltage, High-Current Peripheral Drivers

DEVICE STATUS: **ACTIVE**

FEATURES

[Back to Top](#)

PERIPHERAL DRIVERS FOR HIGH-VOLTAGE, HIGH-CURRENT DRIVER APPLICATIONS

- Characterized for Use to 300 mA
- High-Voltage Outputs
- No Output Latch-Up at 30 V (After Conducting 300 mA)
- Medium-Speed Switching
- Circuit Flexibility for Varied Applications and Choice of Logic Function
- TTL-Compatible Diode-Clamped Inputs
- Standard Supply Voltages
- Plastic DIP (P) With Copper Lead Frame for Cooler Operation and Improved Reliability
- Package Options Include Plastic Small Outline Packages, Ceramic Chip Carriers, and Standard Plastic and Ceramic 300-mil DIPs

DESCRIPTION

[Back to Top](#)

These dual peripheral drivers are functionally interchangeable with SN55451B through SN55453B and SN75451B through SN75453B peripheral drivers, but are designed for use in systems that require higher breakdown voltages than those devices can provide at the expense of slightly slower switching speeds. Typical applications include logic buffers, power drivers, relay drivers, lamp drivers, MOS drivers, line drivers, and memory drivers.

The SN55461/SN75461, SN55462/SN75462, and SN55463/SN75463 are dual peripheral AND, NAND, and OR drivers respectively (assuming positive logic), with the output of the gates internally connected to the bases of the npn output transistors.

Series SN55461 drivers are characterized for operation over the full military temperature range of -55°C to 125°C. Series SN75461 drivers are characterized for operation from 0°C to 70°C.

TECHNICAL DOCUMENTS

[Back to Top](#)

To view the following documents, [Acrobat Reader 3.x](#) is required.

To download a document to your hard drive, right-click on the link and choose 'Save'.

DATASHEET

[Back to Top](#)

Full datasheet in Acrobat PDF: [slrs022a.pdf](#) (130 KB) (Updated: 10/01/1995)

Full datasheet in Zipped PostScript: [slrs022a.psz](#) (121 KB)

RELATED DOCUMENTS

[Back to Top](#)

- [PowerFLEX Surface Mount Power Packaging Marketing Documentation \(SLIT115A, 319 KB - Updated: 02/15/1999\)](#)

PRICING/AVAILABILITY

[Back to Top](#)

| ORDERABLE DEVICE | PACKAGE | PINS | TEMP (°C) | STATUS | BUDGETARY PRICE US\$/UNIT QTY= 1000+ | PACK QTY | DSCC NUMBER | PRICING/AVAILABILITY |
|------------------|-----------|------|------------|--------|--|----------|-------------|--------------------------------------|
| JM38510/12909BPA | <u>JG</u> | 8 | -55 TO 125 | ACTIVE | 17.16 | 1 | | Check stock or order |
| SN55463JG | <u>JG</u> | 8 | -55 TO 125 | ACTIVE | 1.65 | 1 | | Check stock or order |
| SNJ55463JG | <u>JG</u> | 8 | -55 TO 125 | ACTIVE | 1.86 | 1 | | Check stock or order |

Table Data Updated on: 11/8/2000

© Copyright 2000 Texas Instruments Incorporated. All rights reserved. [Trademarks](#) | [Privacy Policy](#) | [Important Notice](#)