



Wire & Cable > Hook Up Wire



Cable Type: **Spec 80**

Voltage Rating: **600 V**

Wire Color: **White**

Insulation Material: **Modified Radiation Cross-linked ETFE Polymer**

Conductor Material: **Silver-Coated Copper**

Features

Product Type Features

Wall Type	Single
Cable Style	Primary
Product Type	Cable
Product Classification	Wire - Spec 80 (FlexLine)
Cable Type	Spec 80

Configuration Features

Number of Conductors	1
Number of Strands	42

Electrical Characteristics

Voltage Rating	600 V
----------------	-------

Body Features

Conductor Stranding	High Strand Count Conductor
Wire Color	White
Insulation Material	Modified Radiation Cross-linked ETFE Polymer
Conductor Material	Silver-Coated Copper

Dimensions

	.029 in
--	---------



Strand Size	44 AWG
-------------	--------

Wire Size	28 AWG
-----------	--------

Usage Conditions

Operating Temperature Range	-65 – 200 °C
-----------------------------	--------------

Operation/Application

Wire Class	Equipment
------------	-----------

Product Compliance

[For compliance documentation, visit the product page on TE.com>](#)

EU RoHS Directive 2011/65/EU	Compliant
------------------------------	-----------

EU ELV Directive 2000/53/EC	Compliant
-----------------------------	-----------

China RoHS 2 Directive MIIT Order No 32, 2016	No Restricted Materials Above Threshold
---	---

EU REACH Regulation (EC) No. 1907/2006	Current ECHA Candidate List: JUN 2020 (209) Candidate List Declared Against: JUL 2019 (201) Does not contain REACH SVHC
--	---

Halogen Content	Out of Scope - excluded from Halogen requirements
-----------------	---

Solder Process Capability	Not applicable for solder process capability
---------------------------	--

Product Compliance Disclaimer

This information is provided based on reasonable inquiry of our suppliers and represents our current actual knowledge based on the information they provided. This information is subject to change. The part numbers that TE has identified as EU RoHS compliant have a maximum concentration of 0.1% by weight in homogenous materials for lead, hexavalent chromium, mercury, PBB, PBDE, DBP, BBP, DEHP, DIBP, and 0.01% for cadmium, or qualify for an exemption to these limits as defined in the Annexes of Directive 2011/65/EU (RoHS2). Finished electrical and electronic equipment products will be CE marked as required by Directive 2011/65/EU. Components may not be CE marked. Additionally, the part numbers that TE has identified as EU ELV compliant have a maximum concentration of 0.1% by weight in homogenous materials for lead, hexavalent chromium, and mercury, and 0.01% for cadmium, or qualify for an exemption to these limits as defined in the Annexes of Directive 2000/53/EC (ELV). Regarding the REACH Regulations, TE's information on SVHC in articles for this part number is still based on the European Chemical Agency (ECHA) 'Guidance on requirements for substances in articles' (Version: 2, April 2011), applying the 0.1% weight on weight concentration threshold at the finished product level. TE is aware of the European Court of Justice ruling of September 10th, 2015 also known as O5A (Once An Article Always An Article) stating that, in case of 'complex object', the threshold for a SVHC must be applied to both the product as a whole and simultaneously to each of the articles forming part of its composition. TE has evaluated this ruling based on the new ECHA "Guidance on requirements for substances in articles" (June 2017, version 4.0) and will be updating its statements accordingly.

Compatible Parts

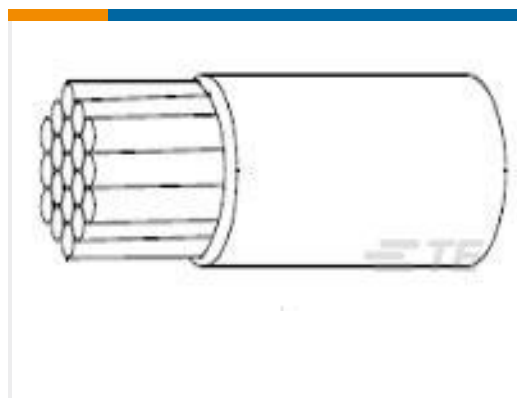


TE Model / Part # 38943-22L
CONT SOC ASSY

Customers Also Bought



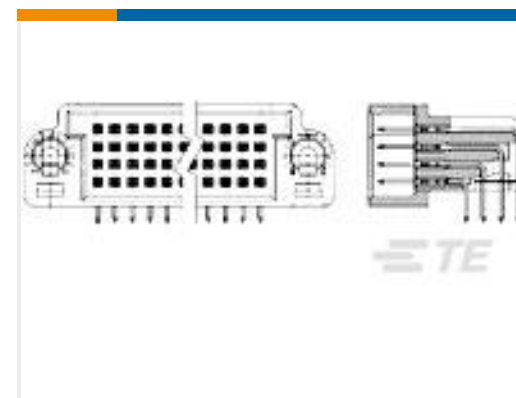
TE Model / Part #793345-000
222A174-25/86-0



TE Model / Part #A00535-000
55/0322-26-9/96



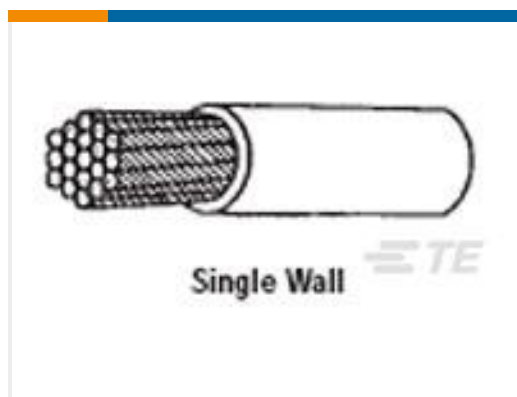
TE Model / Part #EJ1556-000
82A0132-22-3/6/9



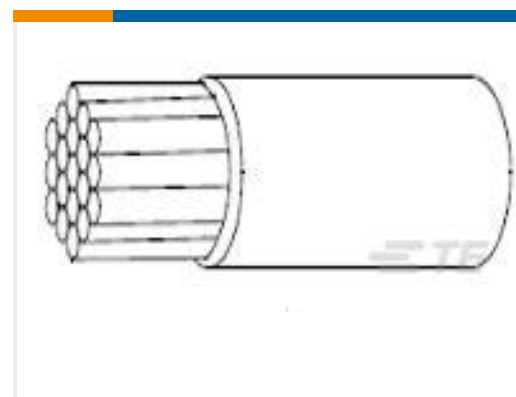
TE Model / Part #1-446080-0
BOX 4 ROW R/A PIN ASSY 200 POS



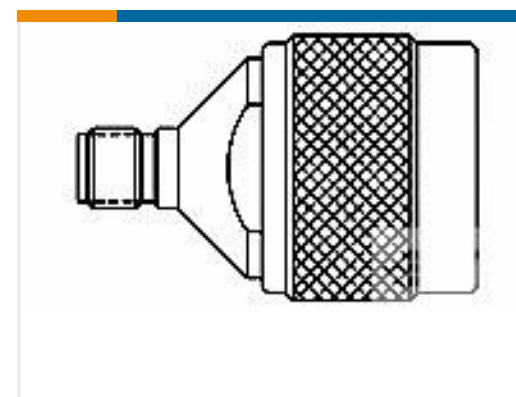
TE Model / Part #528425-000
55A0122-22-9/96



TE Model / Part #697463-000
82A0112-24-9



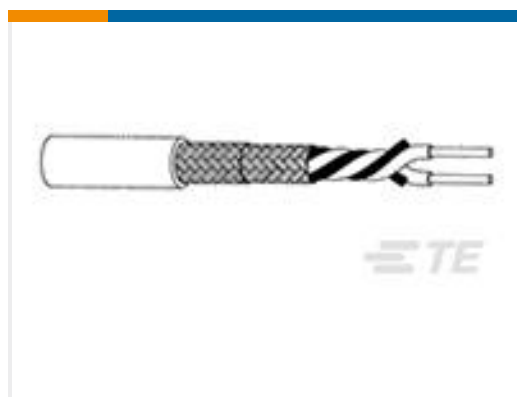
TE Model / Part #355771-000
55/0312-26-9



TE Model / Part #1046247-1
ADAPTER, N PLUG TO SMA JACK



TE Model / Part #717087-000
55/0812-24-0



TE Model / Part #930360-000
7724R3524-9

Documents

Product Drawings

[82A0112-28-9](#)

English

Datasheets & Catalog Pages

[1654025_Sec9_SPEC80](#)

English

[Raychem Wire and Cable Quick Reference Guide](#)

English



Product Specifications

Product Specification

English