

Variable Inductors

Singapore

Series: **05T (Type 5E□)**

Series: **07T (Type 7E□)**



05T

07T

Variable inductors for TV, VTR and audio

Industrial Property: Utility models 9 (incl. pending)

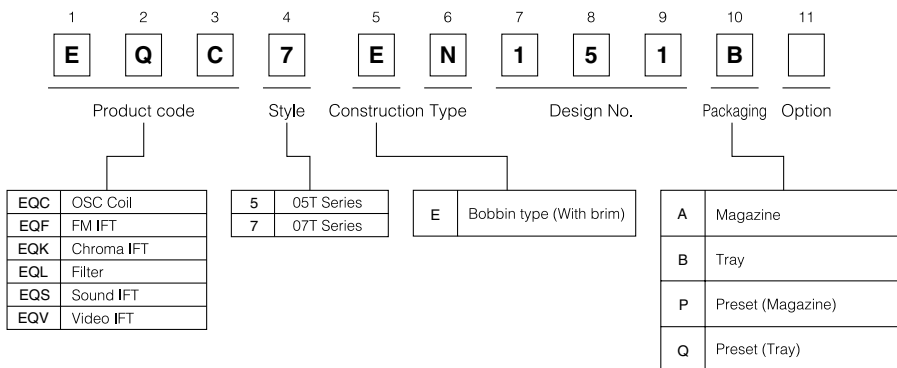
■ Features

- Excellent coupling and distributed capacitive stability due to separate winding construction
- Stable core rotational torque due to use of thermoplastic resin

■ Recommended Applications

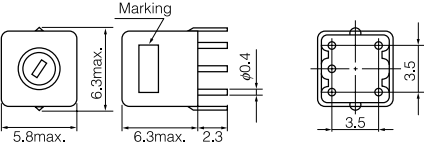

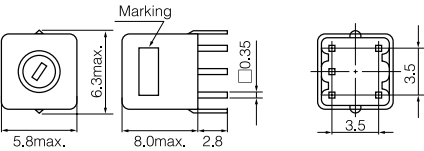

- TVs, VTRs, Audios
- Cordless telephones, Tuners

■ Explanation of Part Numbers



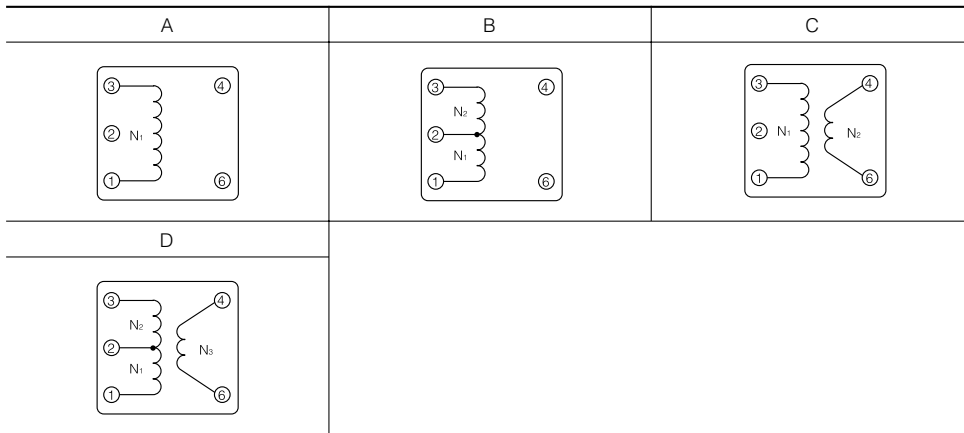
● From Aug '94, the product code of "E□" was changed. Order new product code in "EQ□".

Series 05T

Type	Dimensions in mm (not to scale)	Core Type	Freq. Range	*1 L Range	Qu	Internal Capacitor
5EB			1 MHz to 150 MHz	0.1 μ H to 30 μ H	30 to 60	—
5EC			1 MHz to 150 MHz	0.1 μ H to 30 μ H	30 to 60	—

*1 "L Range" is applicable designed inductance, not variable range.

■ Connection Schematics

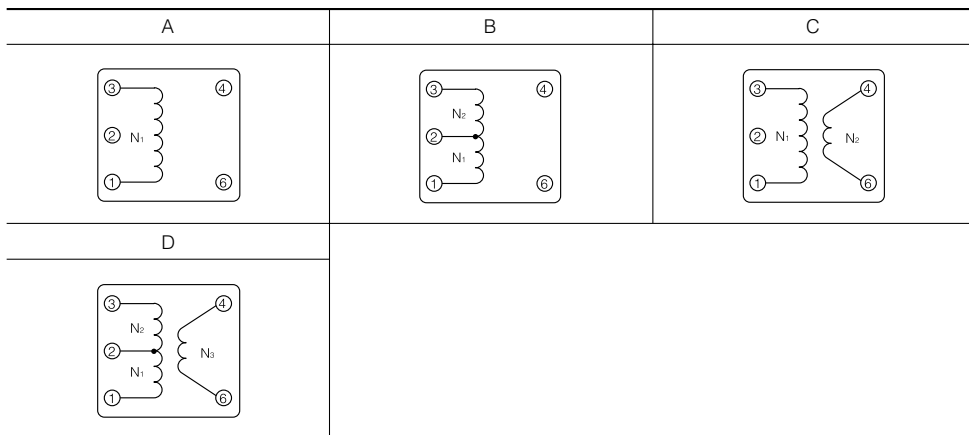


Series 07T

Type	Dimensions in mm (not to scale)	Core Type	Freq. Range	*1 L Range	Qu	Internal Capacitor
7EL			1 MHz to 150 MHz	0.1 μH to 20 μH	30 to 70	10 pF to 120 pF
7EN			1 MHz to 150 MHz	0.1 μH to 50 μH	30 to 70	10 pF to 120 pF
7ES			500 kHz to 150 MHz	0.1 μH to 70 μH	40 to 80	10 pF to 120 pF

*1 "L Range" is applicable designed inductance, not variable range.

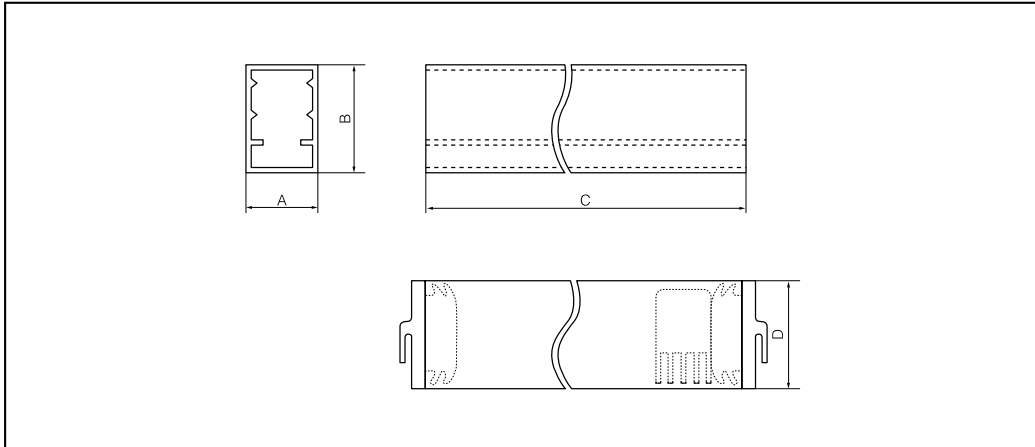
■ Connection Schematics



Magazine Pack Methods

Series: **05T, 07T**

- Magazine Dimensions in mm (not to scale)



Series	Dimensions			
	A	B	C	D
05T	7.6±0.5	13.2±0.5	620±2	14.0 max.
07T	9.5 ^{+0.4} ₀	22.2±0.3	414±2	25.0 max.

■ Standard Packing Quantity

Series	Quantity per Package	
	Quantity per Magazine	Quantity per Outer Carton
05T	100 pcs.	1000 pcs. (10 magazines/carton)
07T	50 pcs.	1000 pcs. (20 magazines/carton)