



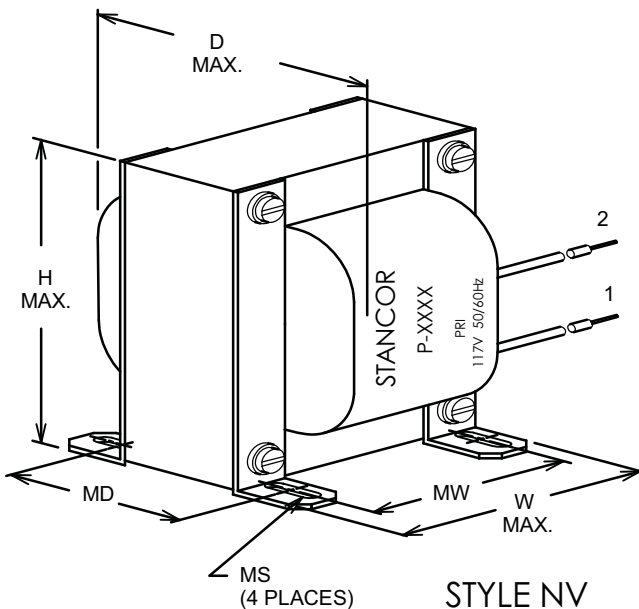
⚠ WARNING	
	<p style="text-align: center;">ELECTROCUTION HAZARD</p> <p>Disconnect electric power to system at main fuse or circuit breaker box before servicing. Failure to do so could result in death or serious injury.</p>
	<p style="text-align: center;">FIRE HAZARD</p> <p>Do not exceed transformer ratings. Higher voltage may damage control and could cause personal injury or property damage.</p>

SPECIFICATIONS:

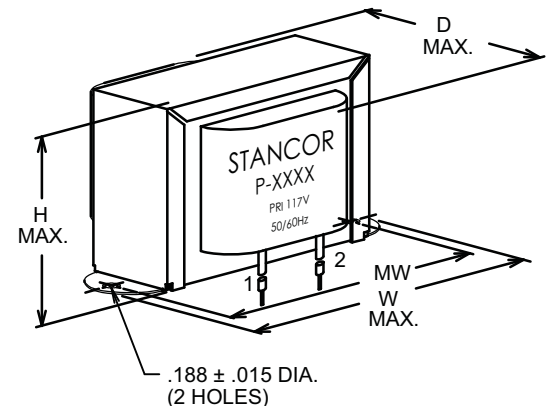
INPUT:	117 V, 50/60Hz
OUTPUT:	36V CT: SEE OUTPUT AMP RATING & VA CAPACITY IN TABLE
INSULATION RATING:	CLASS A (105°C)
TEMPERATURE RISE:	65°C RISE ABOVE 40°C AMBIENT
DIELECTRIC STRENGTH:	1500 VRMS

NOTE:

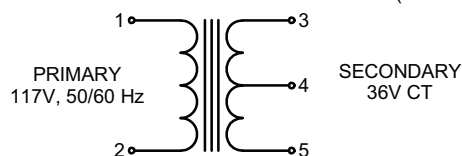
1. Primary leads Black, #22 AWG.
2. All leads 8" long minimum.



STYLE NV



STYLE A



SCHMATIC DIAGRAM

STANCOR Part No.	Sec. Curr.	VA Cap.	Sec. Lead Wires				Mtg. Style	Dimensions - Inches						Wt. Lbs.
			Color			#5		#22	H	W	D	MW	MD	
#3	#4 (CT)	#5	Avg											
P-8611	.135A	4.9	BLU	YEL	BLU	#22	A	1.44	2.44	1.50	2.00	-	-	0.35
P-8612	.30A	10.8	BLU	YEL	BLU	#22	A	1.75	2.88	1.62	2.38	-	-	0.60
P-8613	.55A	19.8	GRN	YEL	GRN	#22	A	2.06	3.31	2.00	2.81	-	-	1.00
P-8671	1.0A	36.0	BLU	YEL	BLU	#22	A	2.38	3.75	2.38	3.12	-	-	2.00
P-8672	2.0A	72.0	GRN	YEL	GRN	#22	NV	3.56	2.88	2.88	2.25	2.13	.188 X .312	3.50
P-8673	4.0A	144.0	GRN	YEL	GRN	#18	NV	4.38	3.56	3.19	2.75	2.38	.188 X .312	6.00
P-8674	6.0A	216.0	GRN	YEL	GRN	#18	NV	4.69	3.81	3.62	3.06	2.47	.203 X .500	8.30