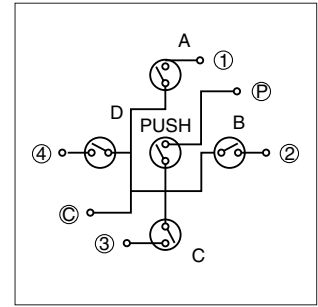
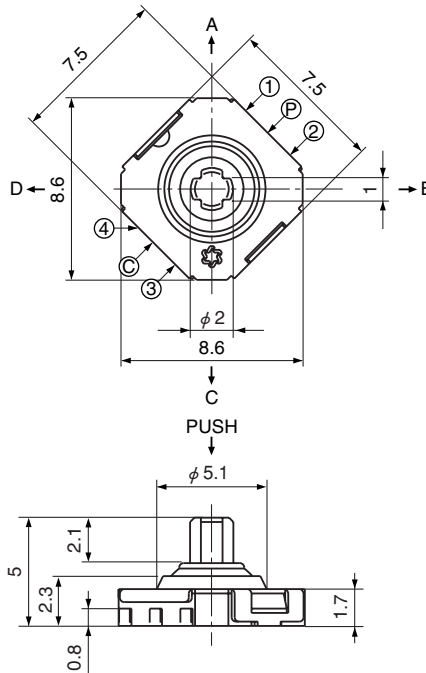
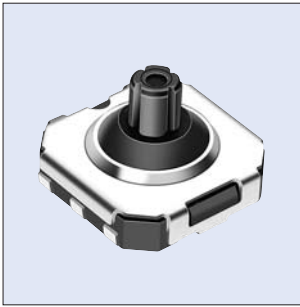
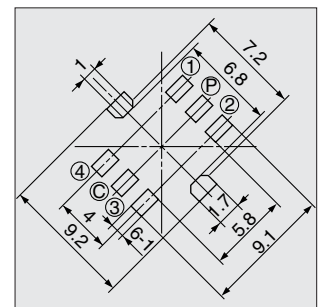


## HXW0767-610021

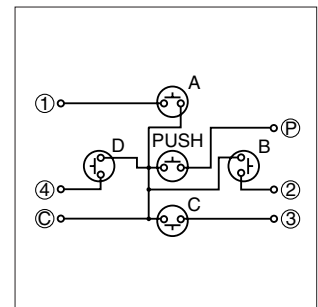
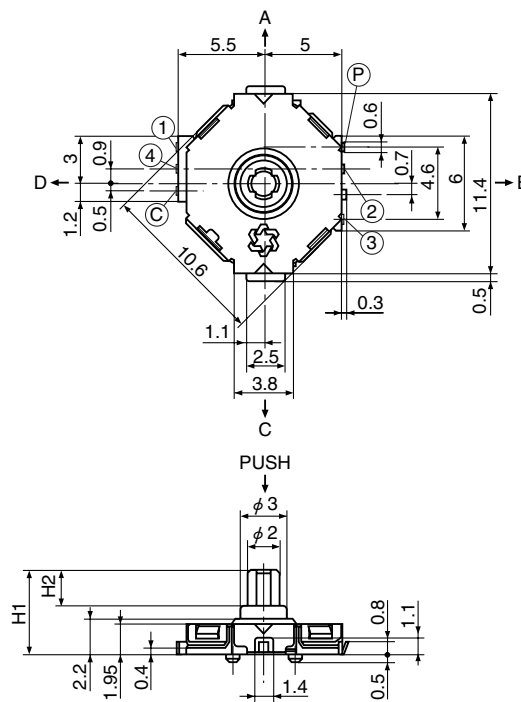


Circuit Diagram

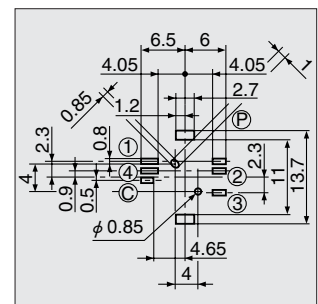

 PCB Layout  
(Top View)

Ratings	50 mA 20 V DC max.	
	10 $\mu$ A 1 V DC min.	
Contact Resistance	100 m $\Omega$ max.	
Insulation Resistance	100 M $\Omega$ min. at 100 V DC	
Dielectric Strength	100 V AC / 1 minute	
Operating Force	X/Y Axis 4-Direction	0.5 N to 1.3 N
	Push Direction	1.7 N to 2.9 N
Operating Life	500,000 cycles	

## HXW0768



Circuit Diagram


 PCB Layout  
(Top View)

Model No.	H1 (mm)	H2 (mm)	Boss
HXW0768-010071	5.5	2.3	with
HXW0768-010571	5	1.8	with
HXW0768-610071	5.5	2.3	without
HXW0768-610571	5	1.8	without

Ratings	50 mA 5 V DC max.	
	10 $\mu$ A 1 V DC min.	
Contact Resistance	100 m $\Omega$ max.	
Insulation Resistance	100 M $\Omega$ min. at 100 V DC	
Dielectric Strength	100 V AC / 1 minute	
Operating Force	X/Y Axis 4-Direction	1.3 N to 4 N
	Push Direction	3.5 N to 5.5 N
Operating Life	200,000 cycles	