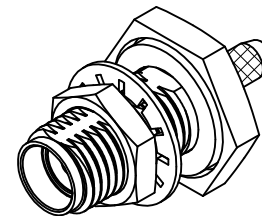
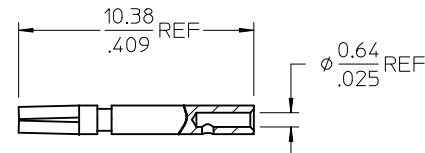
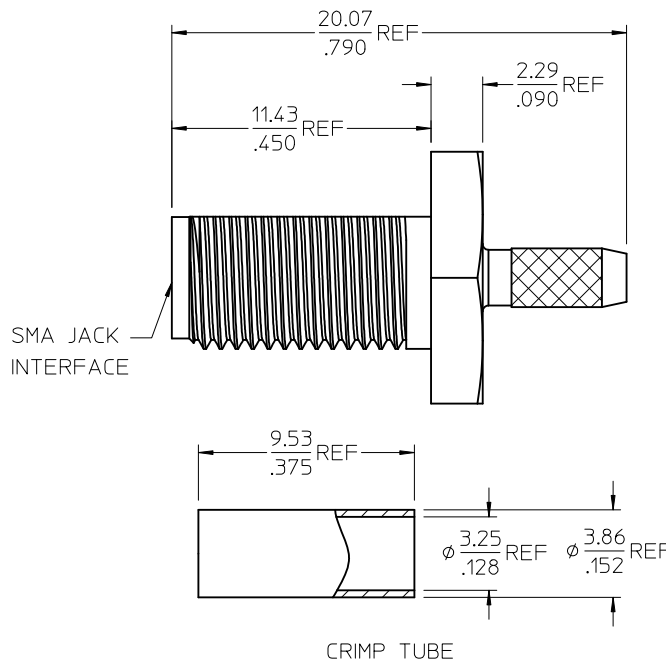
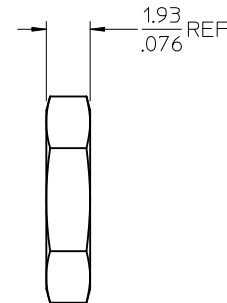
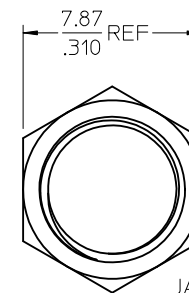


MATERIALS AND FINISHES:

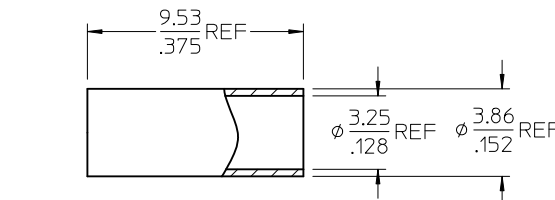
- BODY BRASS
PLATED SEE TABLE
- CONTACT BERYLLIUM COPPER
PLATED GOLD
- INSULATOR TEFLON
- GASKET SILICONE RUBBER
- LOCKWASHER PHOSPHOR BRONZE
PLATED GOLD
- JAMNUT BRASS
PLATED GOLD
- CRIMP TUBE BRASS
PLATED GOLD



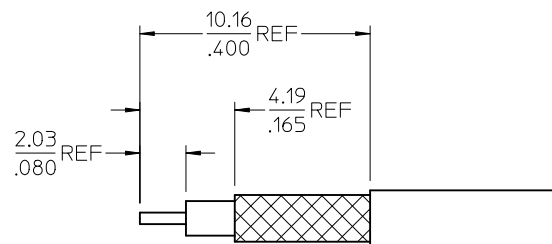
CONTACT



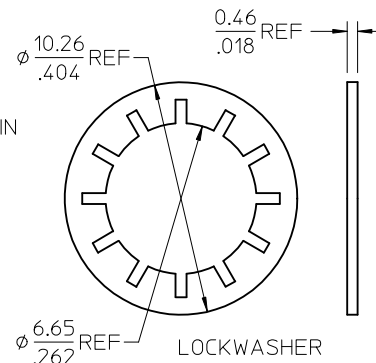
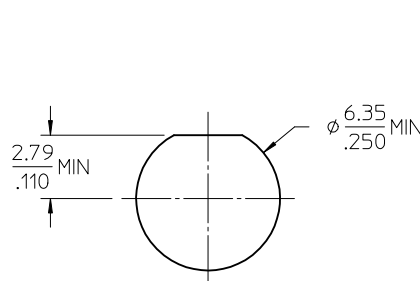
JAMNUT



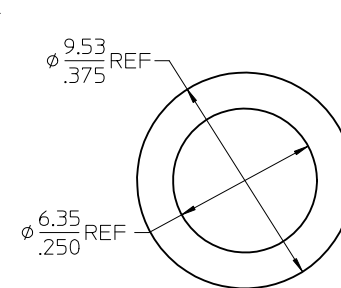
CRIMP TUBE



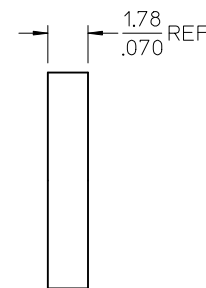
RECOMMENDED STRIP DIMENSION
CRIMP SIZE: .128 HEX



LOCKWASHER



GASKET



73251-2172	73251-2170 PACKAGED IN SINGLE BAGS
73251-2171	GOLD (5 MICROINCHES MIN) / BULK PACK
73251-2170	GOLD (1 MICROINCHES MIN) / BULK PACK
PART NO.	PLATING / PACKAGING

MIL-STD-348A, FIG. 310.2	INTERFACE
SPECIFICATION	DESCRIPTION

CHG: ADD -2172 EC NO: URF2012-0421 DRWN: WIENER 2012/01/26 CHKD: SSS 2012/01/26 APPR: WIENER 2012/01/27	QUALITY SYMBOLS ▽=0 ▽=0	GENERAL TOLERANCES (UNLESS SPECIFIED) mm INCH 4 PLACES ± --- ± --- 3 PLACES ± --- ± --- 2 PLACES ± --- ± --- 1 PLACE ± --- ± --- ANGULAR ± 2 °	DIMENSION STYLE MM/IN DRAWN BY DATE SSS 2004/02/10 CHECKED BY DATE TEF 2004/02/10 APPROVED BY DATE GMH 2004/02/10	SCALE DESIGN UNITS METRIC THIRD ANGLE PROJECTION	TITLE SMA JACK, BLKHD, RG316 50 OHM, EWR2051 SMA-JC/BLK
		DRAFT WHERE APPLICABLE MUST REMAIN WITHIN DIMENSIONS	MATERIAL NO. SEE TABLE DOCUMENT NO. SD-73251-217	SHEET NO. 1 OF 1	
		THIS DRAWING CONTAINS INFORMATION THAT IS PROPRIETARY TO MOLEX INCORPORATED AND SHOULD NOT BE USED WITHOUT WRITTEN PERMISSION			

Mouser Electronics

Authorized Distributor

Click to View Pricing, Inventory, Delivery & Lifecycle Information:

[Molex:](#)

[73251-2172](#)