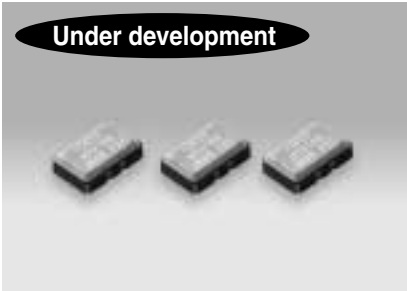


# ULTRA MINIATURE SIZE SMD VCXO



## DSV531SG



### FEATURES

- Ultra miniature size (0.023cc).
- High reliability with IC Circuits.
- Reflow soldering  
(2 Reflows available).

### APPLICATIONS

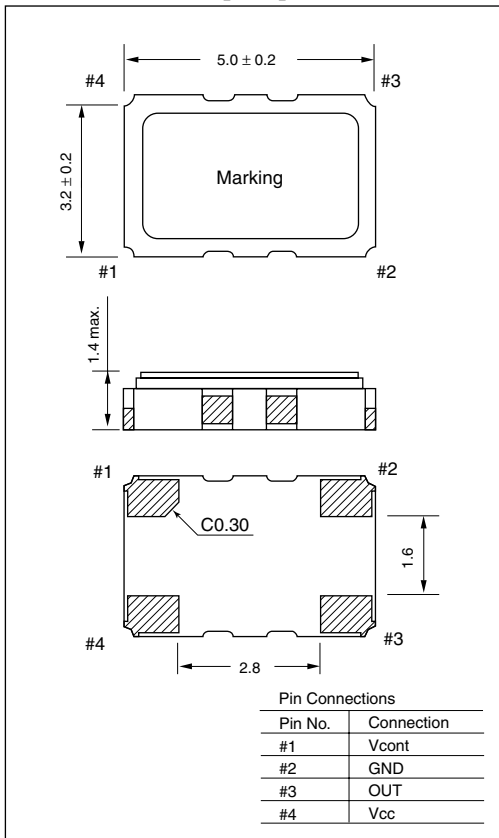
- GSM Cellular phone

### GENERIC SPECIFICATION

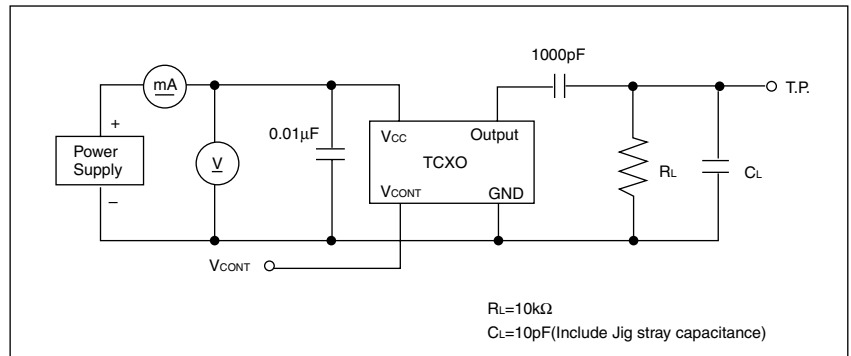
ITEM	TYPE	DSV531SG
Output Frequency		13 MHz
Storage Temp. Range		-30 ~ 85°C
Operating Temp. Range		-20 ~ 75°C
Supply Voltage		2.8V ± 5%
Frequency Stability		±30ppm max.
Frequency Control	Control Range	±32ppm min.
	Control Voltage	+1.2V ± 1.0V
	Response Slope	Positive
Output Level		0.7Vpp (DC-Coupled)
Symmetry		40 ~ 60% (AC Duty)
Current Consumption		1.5mA max.
Output Load		10kΩ //10pF
Start Up Time		3ms max.

Please contact your KDS sales representative to discuss particular spec requirements.

### DIMENSIONS [mm]



### MEASUREMENT CIRCUIT



### RECOMMENDED LAND PATTERN

[mm]

