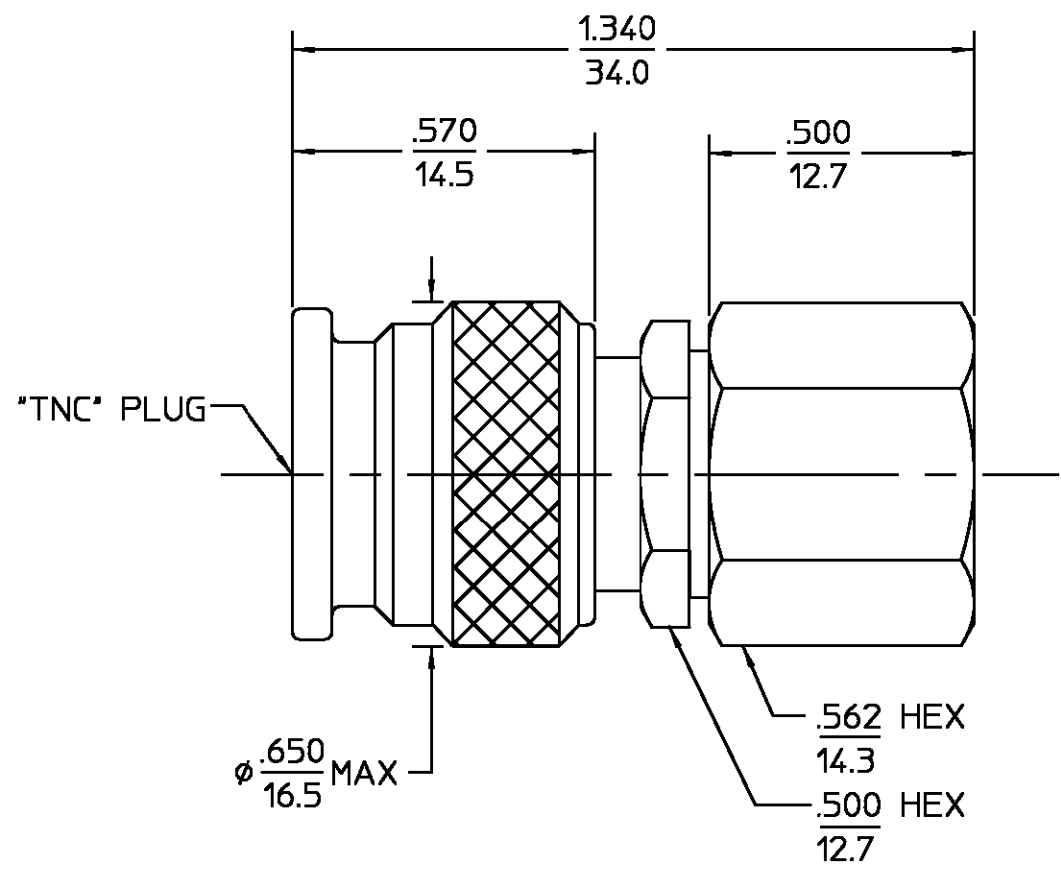


| | |
|--|-------|
| DESIGNED FOR USE WITH .250 S.R. CABLE | |
| CABLE ENTRY DIAMETER MINIMUM | 015 |
| BUSHING | .265 |
| BUSHING | .254 |
| CLAMP NUT | .254 |
| BUSHING | .254 |
| CONTACT | .0654 |

| REVISIONS | | | |
|-----------|---------------------|-----------|------------------|
| REV | DESCRIPTION | DATE | APPROVED |
| 015 | REVISED | 8/26/1998 | ICan 8/7/1998 |
| B | PER EC 0U20-0615-00 | 20SEP01 | C. Hoang 20SEP01 |



| COMPONENT | MATERIAL | FINISH |
|---|--|-------------------------------|
| HOUSING COUPLING NUT CLAMP NUT BUSHING | STAINLESS STEEL PER ASTM-A484 AND ASTM- A582, TYPE 303 | PASSIVATE PER QQ-P-35 |
| DIELECTRIC | PTFE FLUOROCARBON PER ASTM-D-1457 | N/A |
| CENTER CONTACT | BRASS PER ASTM-B-16, HALF HARD | GOLD PLATE PER MIL-G-45204 |
| BUSHING | BERYLLIUM COPPER PER ASTM-B-196 OR ASTM-B-197, ALLOY C17300, CONDITION H | GOLD PLATE PER MIL-G-45204 |
| RETAINING RING | BERYLLIUM COPPER PER ASTM-B-194, ALLOY C17200, CONDITION H | N/A |
| GASKET O'-RING | SILICONE RUBBER PER ZZ-R-765 | N/A |

| ELECTRICAL | MECHANICAL | ENVIRONMENTAL |
|--|--|--|
| Nominal Impedance (Ohms) <u>50</u> | Interface Dimensions MIL-STD-348A, Fig. 313-1 | Temperature Rating <u>-65°C to 105°C</u> |
| Frequency Range (GHz) DC to <u>18</u> | Recommended Mating | Vibration MIL-STD-202, Method 204, Condition B |
| Volt Rating (VRMS MAX) @ Sea Level <u>500</u> | Torque <u>12 to 15 in-lbs</u> | Shock MIL-STD-202, Method 213, Condition I |
| VSWR <u>1.07 ±.007</u> | Mating Characteristics: | Thermal Shock MIL-STD-202, Method 107, Condition B, Except High Temp 115°C |
| Insertion Loss (dB MAX) <u>0.05√f(GHz)</u> | Insertion (MAX Lbs) <u>N/A</u> | Moisture Resistance MIL-STD-202, Method 106 |
| RF Leakage (dB MIN) <u>-90 @ 1 GHz</u> | Withdrawal (MIN Oz) <u>N/A</u> | Corrosion - MIL-STD-202, Method 101, Condition B, 5% salt spray |
| Corona, 70,000 Ft (VRMS MIN) <u>375</u> | Force to Engage and Disengage (In-Lbs MAX) <u>2.0</u> | |
| Dielectric Withstanding Voltage (VRMS MIN) @ Sea Level <u>1,500</u> | Center Contact Captivation | |
| Contact Resistance (Milliohms MAX) | Axial (Lbs) <u>N/A</u> | |
| Center Contact <u>1.5</u> | Radial (In-Oz) <u>N/A</u> | |
| Outer Contact <u>0.2</u> | Cable Retention | |
| Cable to Housing <u>0.5</u> | Axial Force (Lbs) <u>90</u> | |
| RF High Potential @ Sea Level (VRMS MIN @ 5 MHz) <u>1,000</u> | Torque (In-Oz) <u>60</u> | |
| LR.(Megohms MIN) <u>10,000</u> | Weight (Grams) <u>TBD</u> | |

UNLESS OTHERWISE SPECIFIED
DIMENSIONS ARE IN INCHES

| | | |
|--------|-------|--------|
| FRAC. | DEC. | ANGLES |
| ± 1/64 | ±.005 | ± 1° |

These drawings and specifications are the property of M/A COM Interconnect Div. and shall not be reproduced or copied or used in whole or in part as the basis for the manufacture or sale of item(s) without written permission.

USE ASS'Y PROCEDURE

NO. AP. 31-010

DRAWN BY RR DATE 3/2/79
CHECKED BY RMF 3/9/79
APPD BY GH 3/9/79

AMP Incorporated
140 Fourth Avenue
Waltham, MA 02451-7599

TITLE "TNC" STRAIGHT CABLE
PLUG - CLAMP ATTACHMENT

| | | | |
|--------------|-------------------------|--------------|--------------|
| SIZE B | CODE IDENT NO. 26805 | 3101-7750-02 | REV 015 |
| SCALE 3:1 | | | SHEET 1 OF 1 |

CUSTOMER DRAWING

AMP PART # 1057627-1
SHEET 1 OF 1 REV B