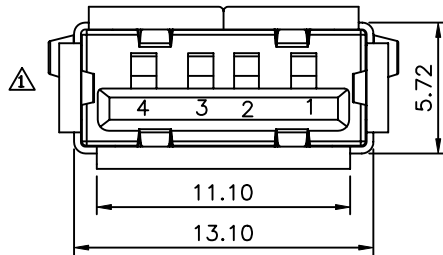
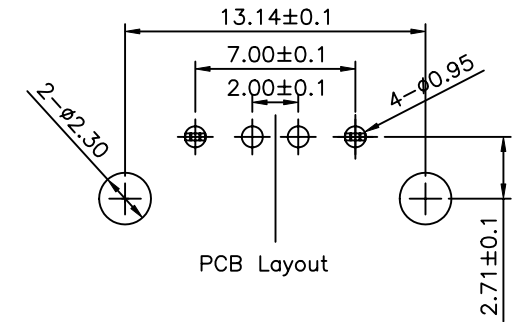
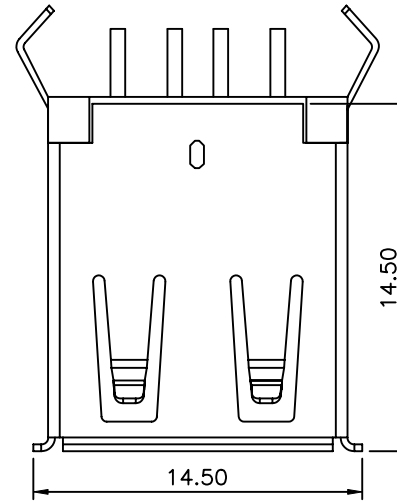
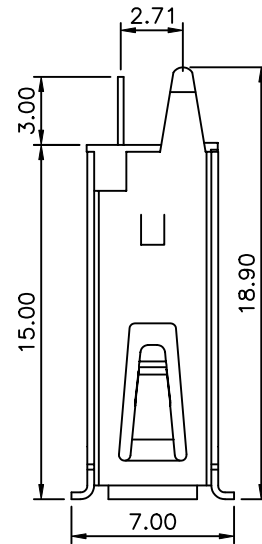
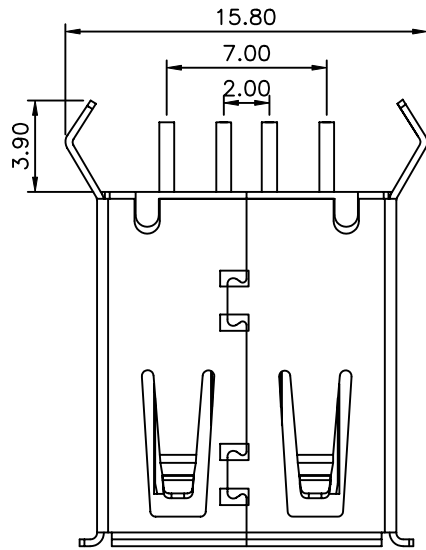


SPECIFICATION

Current:1.5A Max.
 Voltage:30V Max.
 Withstanding Voltage:500V AC
 Contact Resistance:30 Milliohms Max.
 Insulation Resistance:1000 Megaohms Min.
 Temperature Range:-55°C~+85°C
 Mating Force:35N Max.
 Withdrawal Force:10N Min.
 Durability:1500 Cycles Min.
 Contact:Brass,
 Gold Flash And Tin Plated Over Nickel

⚠ Insulator:PBT+30%G.F UL94V-0,White
 Shell:Brass,Nickel Plated Over All
 RoHS Compliant



AUK A MEMBER OF AUK GROUP
太聯事業股份有限公司
AUK CONTRACTORS CO., LTD.

CATEGORY		APPROVED BY		UNLESS OTHERWISE SPECIFIED TOLERANCES ARE
		MEI		
PART No.		CHECKED BY		.X ±0.38 .X* ±2° .XX ±0.25 .XX* ±1° .XXX ±0.13 .XXX* ±0.5°
USB1X04SD-H		HZF		
DRAWING No.		DRAWING BY		UNIT mm
USB1X04SD-H		HYY		
SCALE	NONE	REV.	A1	NO.REV.

NO.	REV.	REVISIONS	CHK	DATE
⚠ A1		Add Pin Number&Color	HZF	03/23/2009
⚠ A0		NEW RELEASE	HZF	06/18/2008