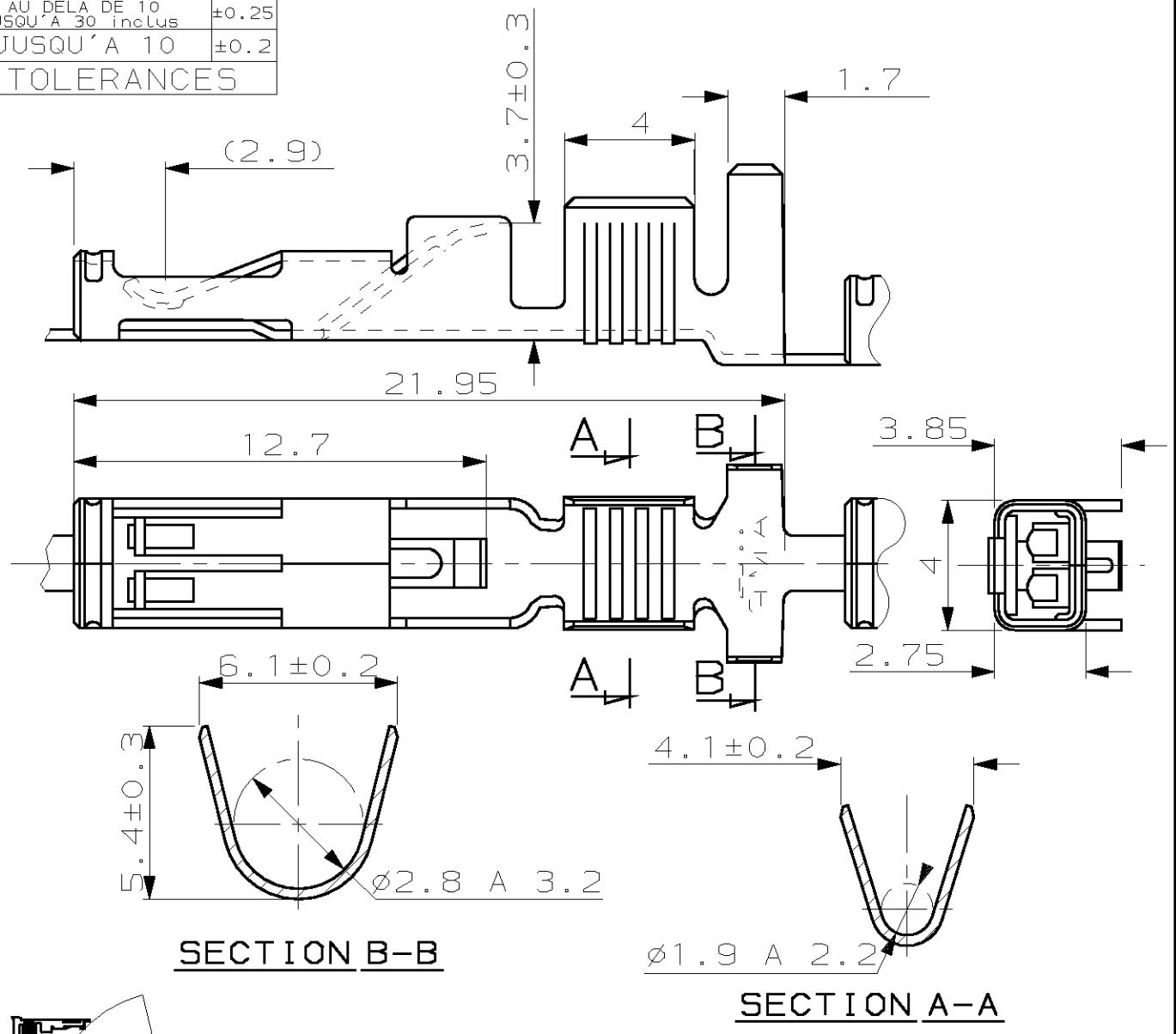


LOC	DIST	REVISIONS					
F	7	P	LTR REV	DESCRIPTION MODIFICATIONS	DATE	DWN DESS.	APVD APP.
			C	PREFIXE 2 AJOUTE	28-FEB-03	RP	-
			N	PREFIXE 2 AJOUTE+INDICE REV. EC EXPRESS	12-NOV-03	RP	-

AU DELA DE 30 JUSQU'A 100 inclus	±0.3
AU DELA DE 10 JUSQU'A 30 inclus	±0.25
JUSQU'A 10	±0.2
TOLERANCES	

PAS; 23.75



RELEASED FOR PUBLICATION
 BY TYCO ELECTRONICS CORP. ALL RIGHTS RESERVED. TOUS DROITS RESERVES.
 THIS DRAWING IS UNPUBLISHED. DIFFUSION RESEINTE AMP.
 © COPYRIGHT

NOTE:
 DIMENS. FIL: 1 A 3MM²
 Ø ISOLANT: 2 ± 0.1 A 3.2 ± 0.1

2-142185-1	LAITON (pre-etame)	142316-1
142185-4	LAITON (brut)	142316-4
142185-3	LAITON (post-etame)	142316-3
142185-2	BRONZE (pre-etame)	142316-2
142185-1	LAITON (pre-etame)	142316-1
REF. BANDE	MATIERE	REF. VRAC

DIMENSIONS: mm	DWN/DESSINE Remi PATIN 28-FEB-03	MATERIAL MATIERE EP 0.32	FINISH OBSERVATION FINITION -
TOLERANCES UNLESS OTHERWISE SPECIFIED, TOLERANCES NON SPECIFIEES (SUIV NB DE DECIMALES):	CHK/VERIFIE JP PICAUD 28-FEB-03	TYCO ELECTRONICS FRANCE SAS BP 39, 95301 CERGY-PONTOISE CEDEX	
0 PLC/DEC ±	APVD/APPROUVE J DAHER 28-FEB-03		
1 PLC/DEC ±-	PRODUCT SPEC SPEC. PRODUIT -	NAME TITRE	CLIP MIC 1
2 PLC/DEC ±	APPLICATION SPEC SPEC. APPLICATION -	SIZE FORMAT A4	CAGE CODE 00779
3 PLC/DEC ±	WEIGHT MASSE APPROX.	DRAWING NO TITRE C-142185	RESTRICTED TO -
4 PLC/DEC ±	CUSTOMER DRAWING/PLAN CLIENT	UNIQUEMENT POUR REFERENCE	SCALE ECHELLE 5:1
ANGLES ±5°		SHEET FEUILLE 1	OF DE 1
			REV N

Mouser Electronics

Authorized Distributor

Click to View Pricing, Inventory, Delivery & Lifecycle Information:

[TE Connectivity:](#)

[142185-1](#)