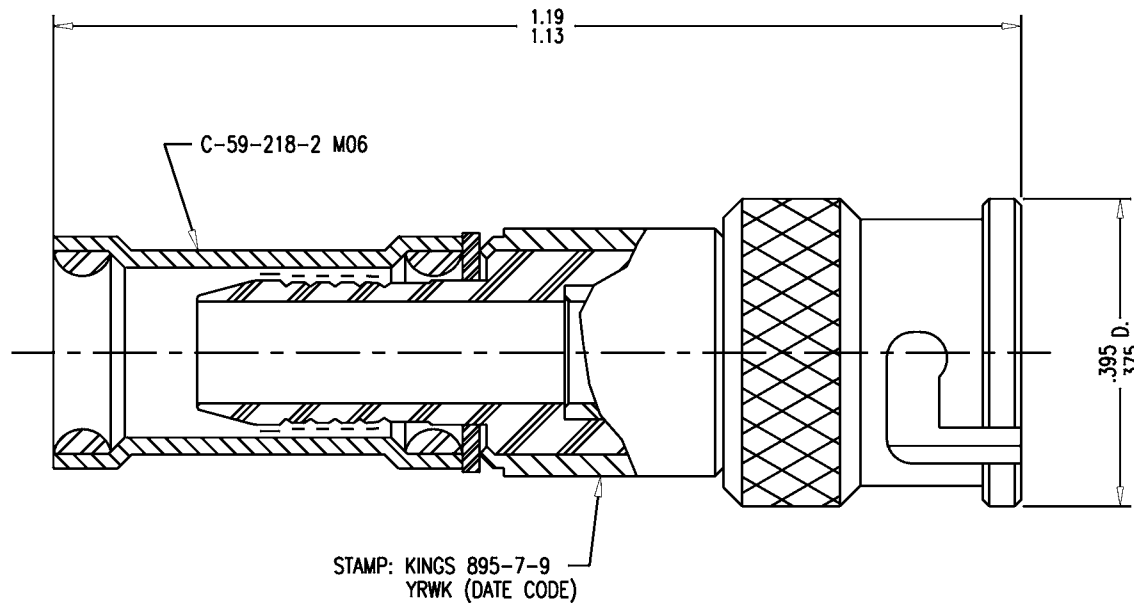


SD

SD



NOTES:

1. FOR USE WITH RG142, 233, AND 400/U CABLES.
2. FOR CABLING INSTRUCTIONS SEE CP-5451.
3. FOR CRIMPING USE DIE KTH-2087.
4. CENTER CONTACT (1-5766-2 MA9) SUPPLIED UNASSEMBLED.
5. MARK PACKAGE: KINGS 895-7-9
YRWK (DATE CODE)
6. MATERIALS:
INSULATOR & WASHER: TEFLON, ASTM-D-4894
SPRING: MUSIC WIRE
K-GRIP SLEEVE: COM. BRONZE, ASTM-B-135
K-GRIP BODY: NYLON 6/6 PER ASTM D 4066
CONTACT: BER. COP., ASTM-B-196
ALL OTHER PARTS: BRASS, ASTM-B16
7. FINISHES:
CONTACT: GOLD PLATE PER MIL-G-45204
SPRING: CADMIUM PLATE PER QQ-P-416
ALL OTHER METAL PARTS: KINGS TARNISH RESISTANT NICKEL FINISH (TR-5)
8. ELECTRICAL CHARACTERISTICS:
VOLTAGE RATING: 500 VRMS
FREQUENCY RANGE: DC TO 500 MHz

REVISIONS

ISSUE	CHANGES
0	ER 37229 VLS 12/10/96
1	CN 37556 C MRM 01/29/98

895-79C

SCALE 6:1

APPROX SURFACE AREA

WAS: E-19447

USED ON

REF: BOEING

KM PLUG

DRAWN	VLS	DATE	12/10/96
DESIGN	VLS	DATE	12/10/96
APPR.		DATE	

KINGS
ELECTRONICS CO., INC.
TUCKAHOE, NEW YORK 10707

895-7-9

895-7-9