

74S64 Gate

Four-Two-Three-Two-Input AND-OR-Invert Gate
Product Specification

Logic Products

TYPE	TYPICAL PROPAGATION DELAY	TYPICAL SUPPLY CURRENT (TOTAL)
74S64	3.5ns	8mA

ORDERING CODE

PACKAGES	COMMERCIAL RANGE $V_{CC} = 5V \pm 5\%$; $T_A = 0^\circ C$ to $+70^\circ C$
Plastic DIP	N74S64N
Plastic SO	N74S64D

INPUT AND OUTPUT LOADING AND FAN-OUT TABLE

PINS	DESCRIPTION	74S
A - L	Inputs	1Sul
Y	Output	10Sul

NOTE:

A 74S unit load (Sul) is $50\mu A$ I_{IH} and $-2.0mA$ I_{IL} .

NOTE:

For information regarding devices processed to Military Specifications, see the Signetics Military Products Data Manual.

FUNCTION TABLE

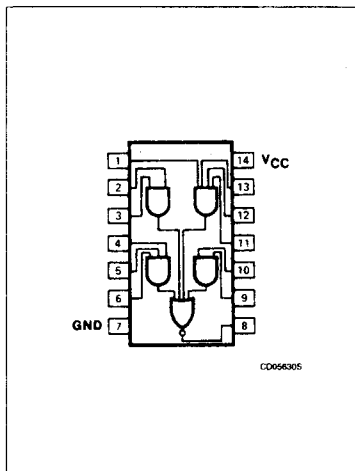
INPUTS											OUTPUT
A	B	C	D	E	F	G	H	J	K	L	Y
H	H	X	X	X	X	X	X	X	X	X	L
X	X	H	H	H	H	X	X	X	X	X	L
X	X	X	X	X	X	H	H	H	X	X	L
X	X	X	X	X	X	X	X	X	H	H	L
All other combinations											H

H = HIGH voltage level

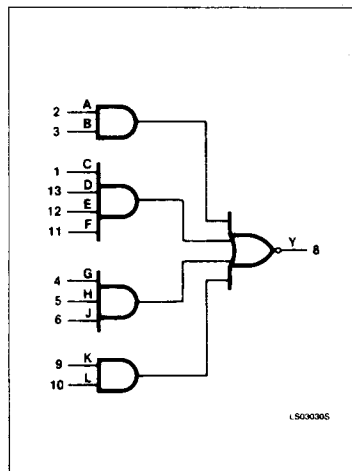
L = LOW voltage level

X = Don't care

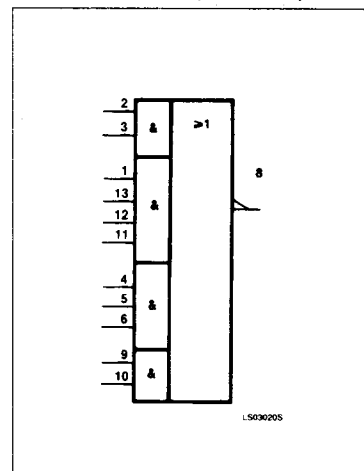
PIN CONFIGURATION



LOGIC SYMBOL



LOGIC SYMBOL (IEEE/IEC)



Gate

74S64

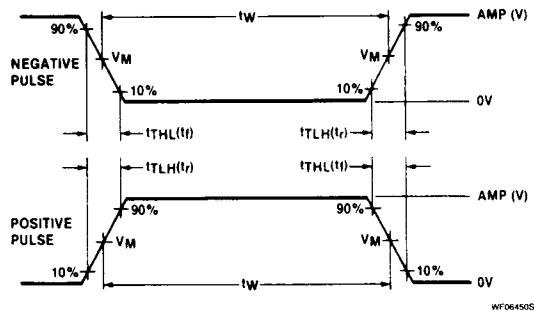
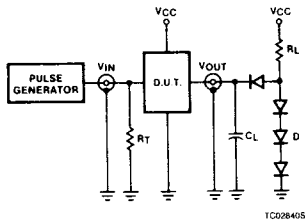
ABSOLUTE MAXIMUM RATINGS (Over operating free-air temperature range unless otherwise noted.)

PARAMETER		74S	UNIT
V _{CC}	Supply voltage	7.0	V
V _{IN}	Input voltage	-0.5 to +5.5	V
I _{IN}	Input current	-30 to +5	mA
V _{OUT}	Voltage applied to output in HIGH output state	-0.5 to +V _{CC}	V
T _A	Operating free-air temperature range	0 to 70	°C

RECOMMENDED OPERATING CONDITIONS

PARAMETER	74S			UNIT
	Min	Nom	Max	
V _{CC}	4.75	5.0	5.25	V
V _{IH}	2.0			V
V _{IL}			+0.8	V
I _{IK}			-18	mA
I _{OH}			-1000	μA
I _{OL}			20	mA
T _A	0		70	°C

TEST CIRCUITS AND WAVEFORMS



V_M = 1.3V for 74LS; V_M = 1.5V for all other TTL families.

Test Circuit For 74 Totem-Pole Outputs

DEFINITIONS

R_L = Load resistor to V_{CC}; see AC CHARACTERISTICS for value.

C_L = Load capacitance includes jig and probe capacitance; see AC CHARACTERISTICS for value.

R_T = Termination resistance should be equal to Z_{OUT} of Pulse Generators.

D = Diodes are 1N916, 1N3064, or equivalent.

t_{TLH}, t_{THL} Values should be less than or equal to the table entries.

Input Pulse Definition

FAMILY	INPUT PULSE REQUIREMENTS				
	Amplitude	Rep. Rate	Pulse Width	t _{TLH}	t _{THL}
74	3.0V	1MHz	500ns	7ns	7ns
74LS	3.0V	1MHz	500ns	15ns	6ns
74S	3.0V	1MHz	500ns	2.5ns	2.5ns

5

Gate

74S64

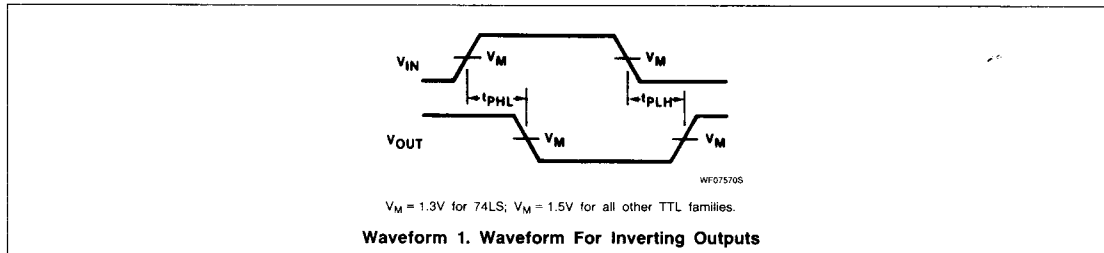
DC ELECTRICAL CHARACTERISTICS (Over recommended operating free-air temperature range unless otherwise noted.)

PARAMETER	TEST CONDITIONS ¹	74S64			UNIT
		Min	Typ ²	Max	
V _{OH} HIGH-level output voltage	V _{CC} = MIN, V _{IL} = MAX, I _{OH} = MAX	2.7	3.4		V
V _{OL} LOW-level output voltage	V _{CC} = MIN, V _{IH} = MIN, I _{OL} = MAX			0.5	V
V _{IK} Input clamp voltage	V _{CC} = MIN, I _I = I _K			-1.2	V
I _I Input current at maximum input voltage	V _{CC} = MAX, V _I = 5.5V			1.0	mA
I _{IH} HIGH-level input current	V _{CC} = MAX, V _I = 2.7V			50	μA
I _{IL} LOW-level input current	V _{CC} = MAX, V _I = 0.5V			-2	mA
I _{OS} Short-circuit output current ³	V _{CC} = MAX	-40		-100	mA
I _{CC} Supply current (total)	V _{CC} = MAX	I _{CC} H Outputs HIGH	7	12.5	mA
		I _{CC} L Outputs LOW	8.5	16	mA

NOTES:

1. For conditions shown as MIN or MAX, use the appropriate value specified under recommended operating conditions for the applicable type.
2. All typical values are at V_{CC} = 5V, T_A = 25°C.
3. I_{OS} is tested with V_{OUT} = +0.5V and V_{CC} = V_{CC} MAX + 0.5V. Not more than one output should be shorted at a time and duration of the short circuit should not exceed one second.

AC WAVEFORM



AC ELECTRICAL CHARACTERISTICS T_A = 25°C, V_{CC} = 5.0V

PARAMETER	TEST CONDITIONS	74S		UNIT
		C _L = 15pF, R _L = 280Ω		
		Min	Max	
t _{PLH} t _{PHL} Propagation delay	Waveform 1		5.5 5.5	ns