



- For energy metering on single and poly-phase electronic watt-hour meters.
- Available for class 2 and 3 per reactive energy IEC62053-23
- Accuracy class 0.5 and 0.2 as per ANSI C12.20 and IEC 62053-22 for AC transformers.
- AC capability 20, 200, 320, 400 and 640 Amperes.
- Epoxy or tape wrapped coil protection

### ELECTRICAL SPECIFICATIONS

FALCO PART NUMBER	L(H)	Tol.	FREQ.(Hz)	Turns Ratio	DCR ( ) <sup>1</sup> NOM.	I <sub>rms</sub> max (A)	R <sub>b</sub> (ohms)
T50111	35.0	Min.	50	1:1500	46	20	30.0
T75012	238.0	±30%	50	1:2000	114	50	30.0
T14049	60.0	Min.	120	1:2000	25	200	27.2
T16013	55.0	Min.	120	1:2000	22	320	7.2
T17004	200.0	Min.	60	1:4000	66	640	7.2

### MECHANICAL SPECIFICATIONS

FALCO PART NUMBER	FIG.	A max. in / mm	B max. in / mm	C min. in / mm	D max. in / mm	E nom. in / mm	F nom. in / mm
T50111	1	0.680 / 17.27	0.800 / 20.32	0.174 / 4.42	0.400 / 10.16	5.40 / 137.16	0.118 / 3.0
T75012	2	1.004 / 25.5	0.994 / 25.25	0.240 / 6.1	0.532 / 13.5	0.138 / 3.5	----
T14049	3	1.680 / 42.67	1.680 / 42.67	0.480 / 12.19	0.730 / 18.54	7.00 / 177.8	----
T16013	4	1.891 / 48.03	2.375 / 60.33	0.750 / 19.05	0.710 / 18.04	7.25 / 184.15	----
T17004	5	1.880 / 47.75	2.000 / 50.8	1.000 / 25.40	0.600 / 15.24	7.000 / 177.80	0.393 / 10.0

FIGURE 1

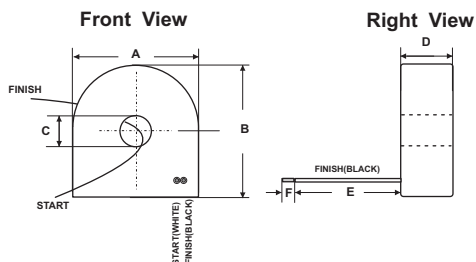


FIGURE 2

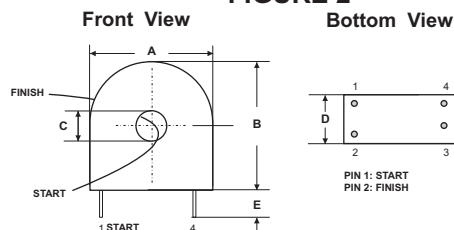


FIGURE 3

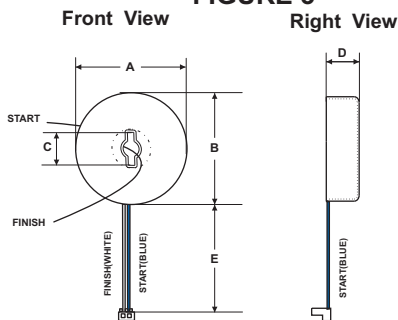


FIGURE 4

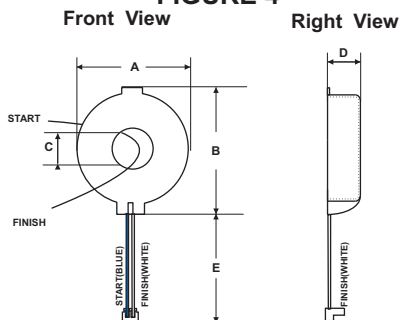
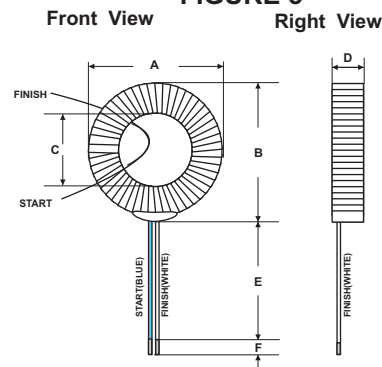


FIGURE 5



1. L & DCR tested at Ta= 25°C
2. Turns tolerance is ± 1.0 % typ
3. Operating Temperature Range: -40°C to +85°C

### LINEARITY AMPLITUDE & PHASE ANGLE ERROR BIPOLAR

