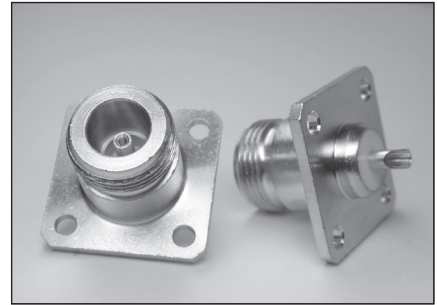
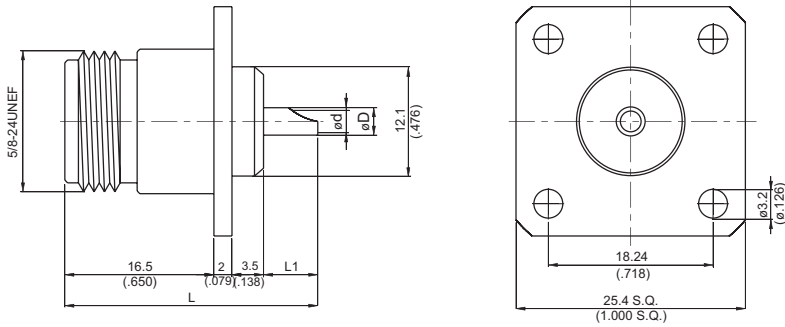
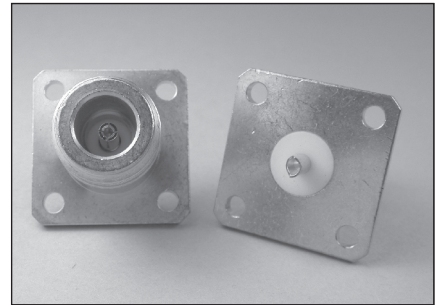
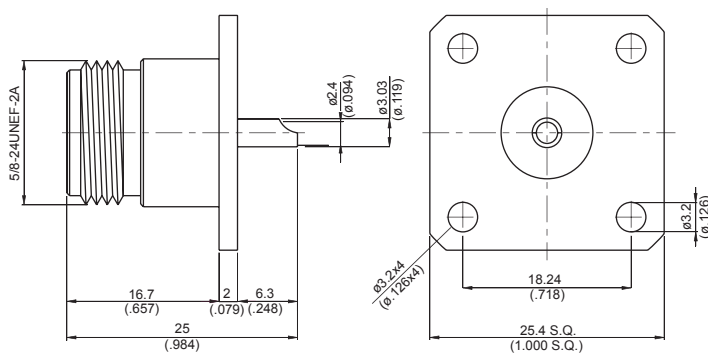


► **N JACK FOR PANEL RECEPTACLE**



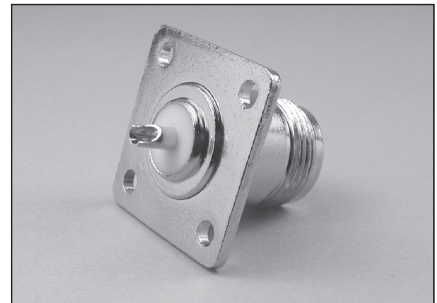
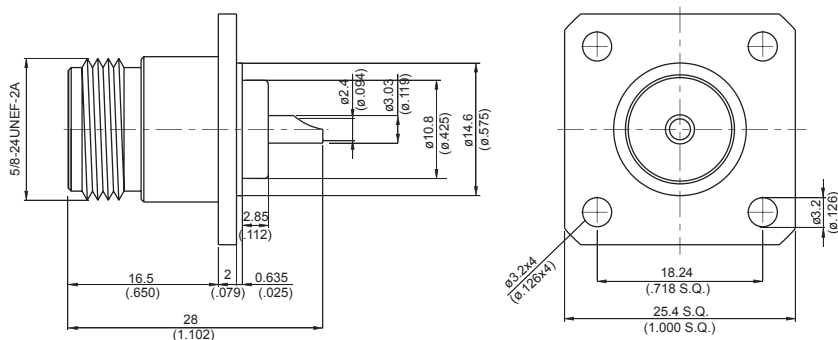
Part Number	Measurements	Weight	Material	Remarks
N864A-0000	ød=2.40(.094) øD=3.15(.124) L=28.0 (1.102) L1=6 (.236)	29.4g	C2	No Gasket
N864A-0000/AG	ød=2.40(.094) øD=3.15(.124) L=28.0 (1.102) L1=6 (.236)	29.4g	C19	AG=Silver Plated Body;No Gasket
N864A-0075	ød=1.25(.049) øD=1.98(.078) L=28.0 (1.102) L1=6 (.236)	29.06g	C2	Impedance=75ohm;No Gasket
N864A1-0000	ød=2.40(.094) øD=3.15(.124) L=25.0 (.984) L1=3 (.118)	29.02g	C2	No Gasket
N864A1-0075	ød=1.25(.049) øD=1.98(.078) L=25.0 (.984) L1=3 (.118)		C2	Impedance=75ohm;No Gasket
N864A2-0000	ød=2.40(.094) øD=3.15(.124) L=25.5 (1.004) L1=3.5 (1.378)	29.32g	C2	No Gasket
N864A2-0075	ød=1.25(.049) øD=1.98(.078) L=25.5 (1.004) L1=3.5 (1.378)		C2	Impedance=75ohm;No Gasket

► **N JACK FOR PANEL RECEPTACLE**



Part Number	Weight	Material	Remarks
N864A3-0000	28.02g	C2	No Gasket

► **N JACK FOR PANEL RECEPTACLE**



Part Number	Weight	Material	Remarks
N864A4-0000	29.55g	C2	No Gasket