



Terminals & Splices > Quick Disconnects



Terminal & Splice Type: **Receptacle**

Wire Size: **789 – 1980 CMA**

Mating Tab Width: **6.3 mm [.248 in]**

Features

Product Type Features

Wire Stop	No
Terminates To	Wire & Cable
Insertion Force	Normal
Sealable	No
Insulated	No

Configuration Features

Connection Capacity	Single
---------------------	--------

Body Features

Fully Insulated	No
Plating Material	Tin

Contact Features

Terminal & Splice Type	Receptacle
Terminal Orientation	Straight
Contact Base Material	Brass
Crimp Type	F-Crimp
Barrel Type	Open

Mechanical Attachment

Wire Insulation Support	With
-------------------------	------

Dimensions

Accepts Wire Insulation Diameter Range	2.6 mm[.102 in]
--	-----------------

Overall Length	19.8 mm[.78 in]
Receptacle Terminal Stock Thickness	.41 mm[.016 in]
Wire Size	789 – 1980 CMA
Mating Tab Width	6.3 mm[.248 in]
Mating Tab Thickness	.8 mm[.031 in]

Usage Conditions

Operating Temperature Range	110 °C[230 °F]
-----------------------------	----------------

Packaging Features

Packaging Quantity	8000
Packaging Method	Reel

Other

Comment	Pivot Lok type for Lanced QC Connector System
---------	---

Product Compliance

[For compliance documentation, visit the product page on TE.com>](#)

EU RoHS Directive 2011/65/EU	Compliant
EU ELV Directive 2000/53/EC	Compliant
China RoHS 2 Directive MIIT Order No 32, 2016	No Restricted Materials Above Threshold
EU REACH Regulation (EC) No. 1907/2006	Current ECHA Candidate List: JAN 2019 (197) Not Yet Reviewed
Halogen Content	Low Halogen - Br, Cl, F, I < 900 ppm per homogenous material. Also BFR/CFR/PVC Free
Solder Process Capability	Not applicable for solder process capability

Product Compliance Disclaimer

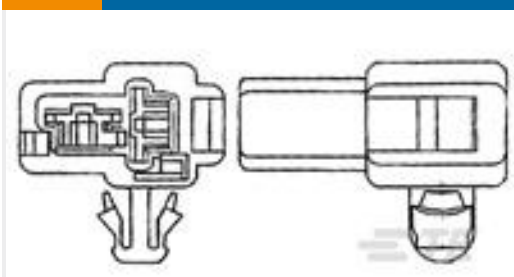
This information is provided based on reasonable inquiry of our suppliers and represents our current actual knowledge based on the information they provided. This information is subject to change. The part numbers that TE has identified as EU RoHS compliant have a maximum concentration of 0.1% by weight in homogenous materials for lead, hexavalent chromium, mercury, PBB, PBDE, DBP, BBP, DEHP, DIBP, and 0.01% for cadmium, or qualify for an exemption to these limits as defined in the Annexes of Directive 2011/65/EU (RoHS2). Finished electrical and electronic equipment products will be CE marked as required by Directive 2011/65/EU. Components may not be CE marked. Additionally, the part numbers that TE has identified as EU ELV compliant have a maximum concentration of 0.1% by weight in homogenous materials for lead, hexavalent chromium, and mercury, and 0.01% for cadmium, or qualify for an exemption to these limits as defined in the Annexes of Directive 2000/53/EC (ELV). Regarding the REACH Regulations, TE's information on SVHC in articles for this part number is still based on the European Chemical Agency (ECHA) 'Guidance on requirements for substances in articles' (Version: 2, April 2011), applying the 0.1% weight on weight concentration threshold at the finished product level. TE is aware of the European Court of Justice ruling of September 10th, 2015 also known as O5A (Once An Article Always An Article) stating that, in case of 'complex object', the threshold for a SVHC must be applied to both the

product as a whole and simultaneously to each of the articles forming part of its composition. TE has evaluated this ruling based on the new ECHA "Guidance on requirements for substances in articles" (June 2017, version 4.0) and will be updating its statements accordingly.

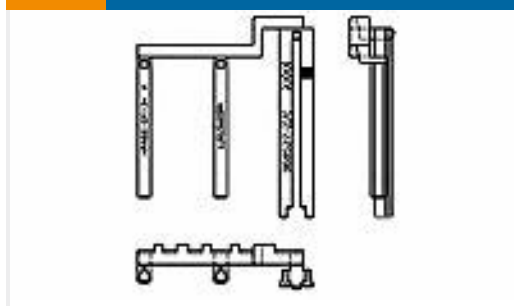
Customers Also Bought



TE Part #350582-000
ES2000-NO.3-B8-0-35MM



TE Part #176992-2
250 DBL LOCK CAP IKEI
2P BLACK



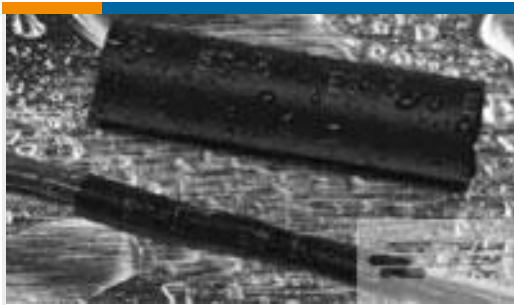
TE Part #968527-1
KONTAKTSICHERUNG36P



TE Part #CU1102-000
V2-1.0-0-65MM



TE Part #F14541-000
ES-CAP-HW-NO.3-X-
45MM-ST



TE Part #829131P037
ES2000-NO.1-C1-0-80MM

Documents

Product Drawings

[H25734/R8000](#)

English