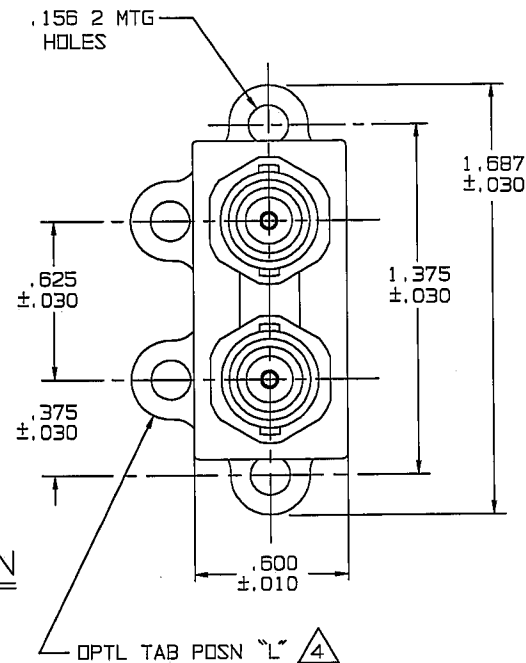
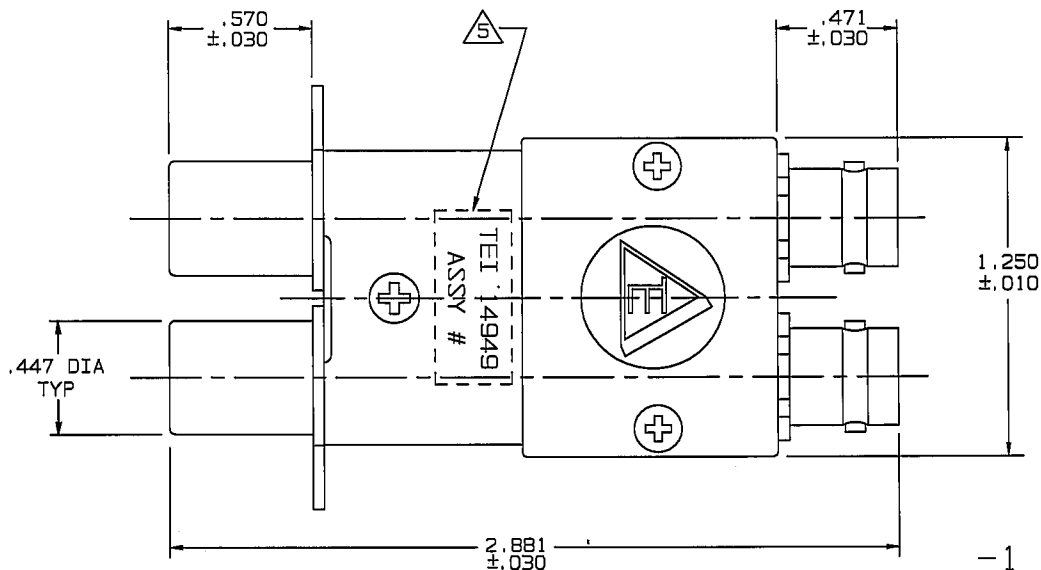


# RED INDICATES ORIGINAL

DASH NO	MODEL NO	ACCEPTS PIN DIA	JACK TYPE
-1	J14	.070 RCA	BNC
-2	J14W	.090 W.E.CD.	
-3	J14H	.070 RCA	TNC
-4	J14WH	.090 W.E.CD.	

DATA CONTAINED IN THIS DOCUMENT IS PROPRIETARY TO TROMPETER ELECTRONICS INC. AND SHALL NOT BE DISCLOSED, COPIED OR USED FOR PROCUREMENT OR MANUFACTURE WITHOUT EXPRESS WRITTEN PERMISSION.

REVISIONS			1-0125		SH 1C
REV	ED	DESCRIPTION	DWN	APPROVED	DATE
R	13250	ADDED NOTE <span style="border: 1px solid black; padding: 2px;">5</span> FOR "TEI 14949" AND "ASSY #" STAMPING ALIGNMENT; SEE ECD	DKC		2/29/00



-1 SHOWN

5 STAMPING OF "TEI 14949" AND "ASSY #" ARE TO BE ALIGNED PERPENDICULAR TO CENTER OF J14/W APPROXIMATELY AS SHOWN.

4 EXAMPLE OF COMPLETE PART NO:  
 1-0125-L-1  
 L=BASIC DASH NO  
 L=DPTL TAB POSN "L" (INDICATED)  
 R=DPTL TAB POSN "R" (OPPOSITE)

3. DUAL COAXIAL NORMAL THRU PATCH RECEPTACLE WITH BNC/TNC RECEPTACLES
2. FINISH: TFS-1A (NICKEL)
1. ALL DIM ARE IN INCHES

INCH	MM	INCH	MM
.005	0.13	.471	11.96
.010	0.25	.570	14.48
.030	0.76	.600	15.24
.070	1.78	.625	15.88
.090	2.29	1.250	31.75
.156	3.96	1.375	34.92
.375	9.52	1.687	42.85
.447	11.35	2.881	73.18

QTY	DESCRIPTION	PART NUMBER	ITEM
TOL UNLESS SPECIFIED .XX ± .XXX ± .005 .XXXX ± ANGLES ±		<b>TROMPETER ELECTRONICS, INC.</b>	J14 / J14W (BNC/TNC)
DWN	DKC 2-1-00	MATERIAL	CODE IDENT
CHK	2-29-00		<b>14949</b>
ENGR		DRAWING NO.	REV
APPR	2-29-00	1-0125	R
NEXT ASSY		SCALE 2/1	DATE 12/07/66
		SHEET	1C