

4

3

2

1

THIS DRAWING IS UNPUBLISHED.

RELEASED FOR PUBLICATION

,19

© COPYRIGHT 19

BY AMP INCORPORATED. ALL RIGHTS RESERVED.

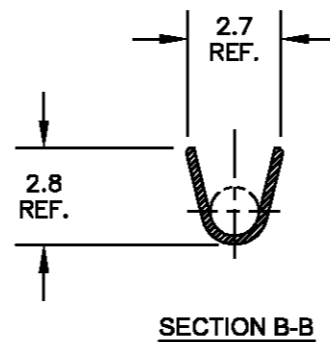
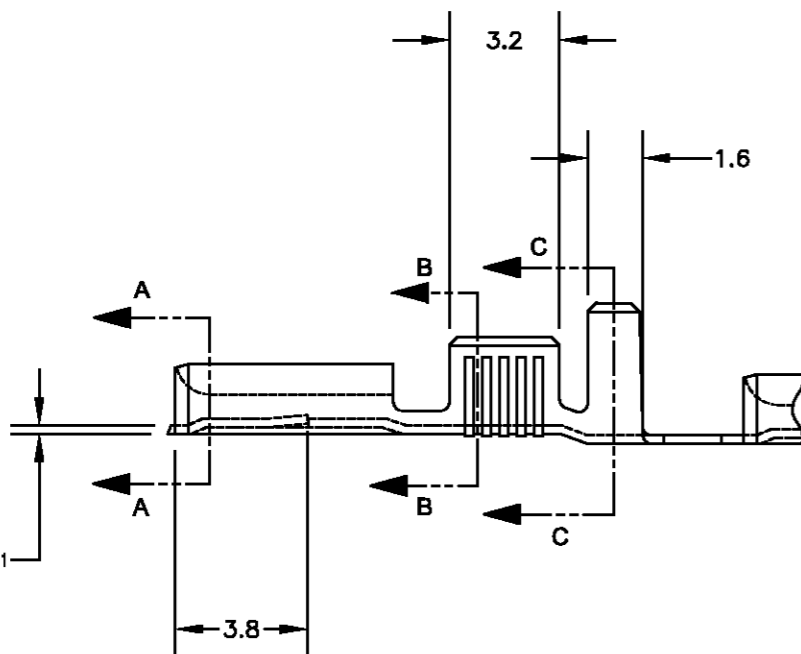
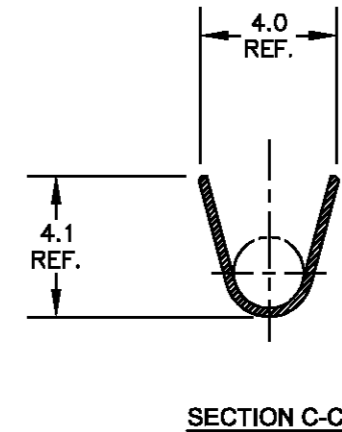
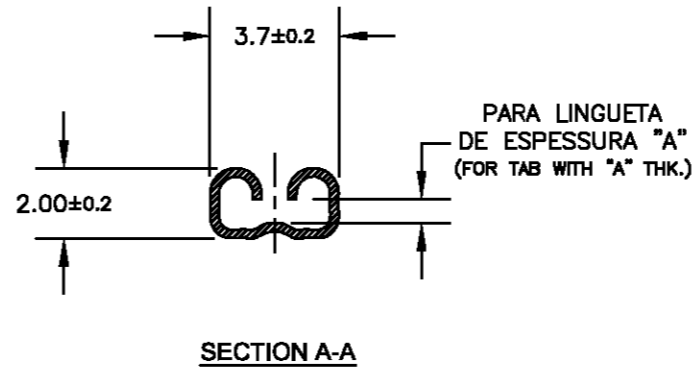
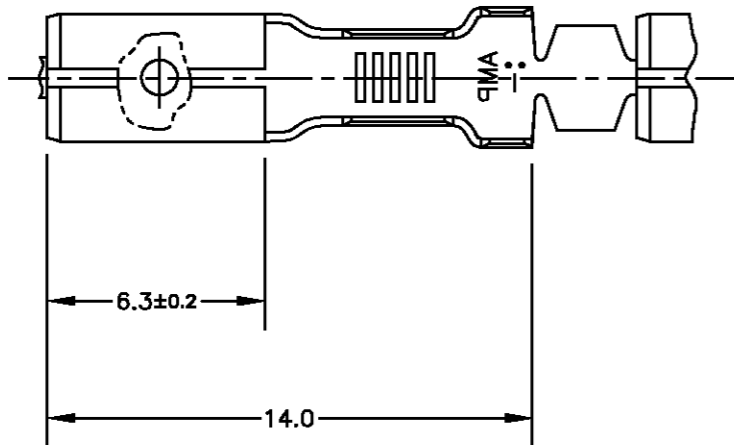
CAD  
DO NOT REVISE  
EXCEPT BY CAD

LOC  
AP

DIST  
-

REVISIONS

P	LTR	LT	DESCRIPTION	DATE	DWN	APVD
			DESIGNO	DATA	DES	APR
R			REVISED BY ECLB080/02	03MAY02	AP	PLF



INS. RANGE	WIRE RANGE
2,03 - 3,04 mm	0,5 - 1,5 mm <sup>2</sup>

0.80	626060-5	---	LATÃO / BRASS	626041-5
0.80	626060-4	ESTANHADO / TIN PLATED	BRONZE FOSF. / PHOSP. BRONZE	626041-4
0.80	626060-3	---	BRONZE FOSF. / PHOSP. BRONZE	626041-3
0.80	626060-2	ESTANHADO / TIN PLATED	LATÃO / BRASS	626041-2
0.80	626060-1	---	LATÃO / BRASS	626041-1
"A"	LOOSE PIECE No.		FINISH	MATERIAL
				PART NUMBER

THIS DRAWING IS A CONTROLLED DOCUMENT.

DWN/DES  
A.PERUSSI  
03MAY2002

CHK/CH  
P.L.FARIA  
03MAY2002

APVD/APR  
L.W.PRADO  
03MAY2002

**AMP** AMP do Brasil Ltda.  
São Paulo, Brasil

DIMENSIONS:  
DIMENSÕES  
MM

TOLERANCES UNLESS  
OTHERWISE SPECIFIED:  
TOLERANCIA NCO ESPECIFICADAS

0 PLC/DEC ± -
1 PLC/DEC ± 0,3
2 PLC/DEC ± -
3 PLC/DEC ± -
4 PLC/DEC ± -
ANGLES/ANGULARES ±

PRODUCT SPEC

108-37014

APPLICATION SPEC

114-2036

WEIGHT

-/-

NAME  
DESIGNO

.110 SERIES FASTON RECEPTACLE

SIZE	CAGE CODE	DRAWING NO DESENHO NO	RESTRICTED TO
A3	00779	C-626041	-/-

MATERIAL  
SEE TABLE

FINISH  
ACABAMENTO  
SEE TABLE

CUSTOMER DRAWING/DESENHO DE CLIENTE

SCALE  
ESCALA 5:1

SHEET  
FILHA 1 DE 1

REV  
R