

W91473 SERIES



14-MEMORY TONE/PULSE SWITCHABLE DIALER WITH HANDFREE AND LOCK FUNCTIONS

GENERAL DESCRIPTION

The W91473 series are Si-gate CMOS IC tone/pulse switchable dialers containing a 14-channel automatic dialing memory, including a 16-digit \times 3 emergency dialing memory and a 16-digit \times 10 channel repertory memory that provides a 32-digit mercury memory. These dialers also provide flash, clear, hold, lock, and one-key redial functions.

FEATURES

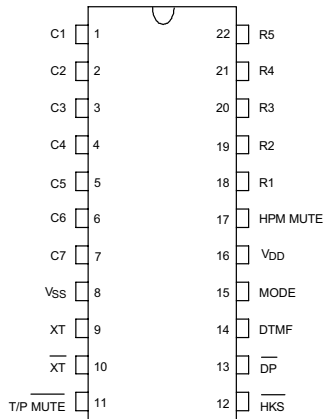
- DTMF/Pulse switchable dialer
- 32-digit LNB (last number buffer) memory
- 32-digit mercury memory
- 16-digit \times 3 one-touch direct repertory memory
- 16-digit \times 10 direct repertory memory
- Uses 7 \times 5 keyboard
- Flash time: 98 mS, 305 mS, or 600 mS (selectable by keypad option)
- Minimum tone output duration: 93 mS
- Minimum intertone pause: 93 mS
- On-chip power-on reset
- Uses 3.579545 MHz crystal or ceramic resonator
- Packaged in 22, 24, or 28-pin plastic DIP
- The different dialers in the W91473 series are shown in the following table:

| TYPE NO. | PULSE (ppS) | MEMORY | MERCURY MEMORY | HOLD | HANDFREE | LOCK | PACKAGE |
|----------|-------------|--------|----------------|------|----------|------|---------|
| W91473 | 10 | 14 | Yes | Yes | - | - | 22 |
| W91473L | 10 | 14 | - | - | - | Yes | 22 |
| W91473A | 10 | 14 | Yes | Yes | Yes | - | 24 |
| W91473AL | 10 | 14 | - | - | Yes | Yes | 24 |
| W91473B | 10/20 | 14 | Yes | Yes | Yes | - | 28 |
| W91473BL | 10/20 | 14 | Yes | Yes | Yes | Yes | 28 |
| W91473C | 10/20 | 14 | Save Memory | Yes | Yes | - | 28 |
| W91473CL | 10/20 | 14 | Save Memory | Yes | Yes | Yes | 28 |
| W91473D | 10 | 14 | Save Memory | - | - | - | 22 |
| W91473DL | 10 | 14 | Save Memory | - | - | Yes | 22 |

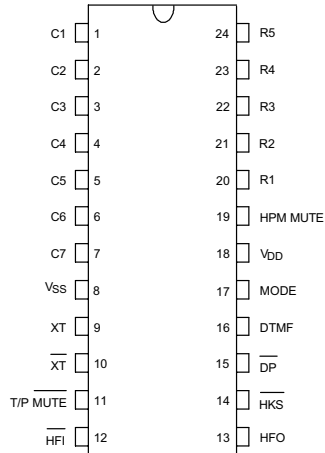
W91473 SERIES



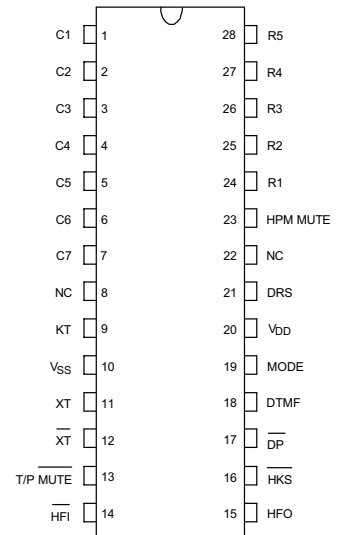
PIN CONFIGURATIONS



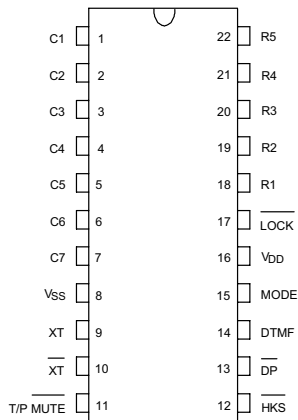
W91473/D



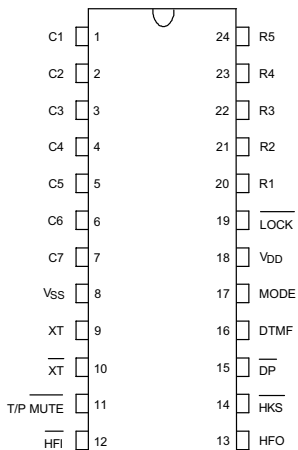
W91473A



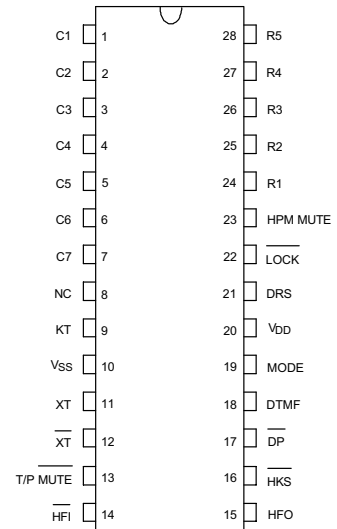
W91473B/C



W91473L/DL



W91473AL



W91473BL/CL

W91473 SERIES



PIN DESCRIPTION

| SYMBOL | 22-PIN | 24-PIN | 28-PIN | I/O | FUNCTION |
|------------------------------|-------------|-------------|-------------|------|--|
| Column-Row Inputs | 1-7 & 18-22 | 1-7 & 20-24 | 1-8 & 24-28 | I | The keyboard input may be used with either the standard 7 × 5 keyboard or an inexpensive single contact (form A) keyboard. Electronic input with μC can also be used. A valid key entry is defined by a single row being connected to a single column. |
| XT, $\overline{\text{XT}}$ | 9, 10 | 9, 10 | 11, 12 | I, O | A built-in inverter provides oscillation with an inexpensive 3.579545 MHz crystal or ceramic resonator. |
| $\overline{\text{T/P MUTE}}$ | 11 | 11 | 13 | O | The $\overline{\text{T/P MUTE}}$ is a conventional CMOS N-channel open drain output. The output transistor is switched on during pulse and tone mode dialing sequence and flash break. Otherwise, it is switched off. |
| $\overline{\text{DP}}$ | 13 | 15 | 17 | O | N-channel open drain dialing pulse output (Figure 1). Flash key causes $\overline{\text{DP}}$ to go active when in pulse mode and tone mode. |
| MODE | 15 | 17 | 19 | I | Pulling mode pin to V_{SS} places the dialer in tone mode. Pulling mode pin to V_{DD} places the dialer in pulse mode (10 ppS, M/B = 2:3). Leaving mode pin floating places the dialer in pulse mode (10 ppS, M/B = 1:2). |
| $\overline{\text{HKS}}$ | 12 | 14 | 16 | I | Hook switch input. $\overline{\text{HKS}} = 1$: On-hook state. Chip in sleep mode, no operation. $\overline{\text{HKS}} = 0$: Off-hook state. Chip enabled for normal operation. $\overline{\text{HKS}}$ pin is pulled to V_{DD} by internal resistor. |

W91473 SERIES



Pin Description, continued

| SYMBOL | 22-PIN | 24-PIN | 28-PIN | I/O | FUNCTION | | | | | | | | | | | | | | | | | | | | | | | | | | | | | | | | | | | | |
|-----------------------------------|-----------------------------|--------------------------|-----------------------|-----|---|------------------|----------|-----------------|-----------------------------|----------|----------------|-----------------|-----------------------|----|-----|-----|-------|----|-----|-----|-------|----|-----|-----|-------|----|-----|-----|-------|----|------|------|-------|----|------|------|-------|----|------|------|-------|
| HPM MUTE | 17 (only for W91473/D) | 19 (only for W91473A) | 23 | O | The HPM MUTE is a conventional inverter output. During pulse dialing, flash, hold, and mercury mute functions, this pin will output an active high. It remains in a low state at all other times. | | | | | | | | | | | | | | | | | | | | | | | | | | | | | | | | | | | | |
| NC | - | - | 8, 22 (W91473 B/C) | - | No connection. | | | | | | | | | | | | | | | | | | | | | | | | | | | | | | | | | | | | |
| $\overline{\text{LOCK}}$ | 17 (W91473L /DL) | 19 (W91473 AL) | 22 (W91473 BL/CL) | I | The function of the $\overline{\text{LOCK}}$ pin is shown below: <table border="1" style="margin-left: 20px;"> <thead> <tr> <th>LOCK PIN</th> <th>FUNCTION</th> </tr> </thead> <tbody> <tr> <td>V_{DD}</td> <td>"0," " 9" dialing inhibited</td> </tr> <tr> <td>Floating</td> <td>Normal dialing</td> </tr> <tr> <td>V_{SS}</td> <td>"0" dialing inhibited</td> </tr> </tbody> </table> | LOCK PIN | FUNCTION | V _{DD} | "0," " 9" dialing inhibited | Floating | Normal dialing | V _{SS} | "0" dialing inhibited | | | | | | | | | | | | | | | | | | | | | | | | | | | | |
| LOCK PIN | FUNCTION | | | | | | | | | | | | | | | | | | | | | | | | | | | | | | | | | | | | | | | | |
| V _{DD} | "0," " 9" dialing inhibited | | | | | | | | | | | | | | | | | | | | | | | | | | | | | | | | | | | | | | | | |
| Floating | Normal dialing | | | | | | | | | | | | | | | | | | | | | | | | | | | | | | | | | | | | | | | | |
| V _{SS} | "0" dialing inhibited | | | | | | | | | | | | | | | | | | | | | | | | | | | | | | | | | | | | | | | | |
| DTMF | 14 | 16 | 18 | O | In pulse mode, remains in low state at all times. In tone mode, outputs a dual or single tone. Detailed timing diagram for tone mode is shown in Figure 2. <table border="1" style="margin-left: 20px;"> <thead> <tr> <th colspan="4">OUTPUT FREQUENCY</th> </tr> <tr> <th></th> <th>Specified</th> <th>Actual</th> <th>Error %</th> </tr> </thead> <tbody> <tr> <td>R1</td> <td>697</td> <td>699</td> <td>+0.28</td> </tr> <tr> <td>R2</td> <td>770</td> <td>766</td> <td>-0.52</td> </tr> <tr> <td>R3</td> <td>852</td> <td>848</td> <td>-0.47</td> </tr> <tr> <td>R4</td> <td>941</td> <td>948</td> <td>+0.74</td> </tr> <tr> <td>C1</td> <td>1209</td> <td>1216</td> <td>+0.57</td> </tr> <tr> <td>C2</td> <td>1336</td> <td>1332</td> <td>-0.30</td> </tr> <tr> <td>C3</td> <td>1477</td> <td>1472</td> <td>-0.34</td> </tr> </tbody> </table> | OUTPUT FREQUENCY | | | | | Specified | Actual | Error % | R1 | 697 | 699 | +0.28 | R2 | 770 | 766 | -0.52 | R3 | 852 | 848 | -0.47 | R4 | 941 | 948 | +0.74 | C1 | 1209 | 1216 | +0.57 | C2 | 1336 | 1332 | -0.30 | C3 | 1477 | 1472 | -0.34 |
| OUTPUT FREQUENCY | | | | | | | | | | | | | | | | | | | | | | | | | | | | | | | | | | | | | | | | | |
| | Specified | Actual | Error % | | | | | | | | | | | | | | | | | | | | | | | | | | | | | | | | | | | | | | |
| R1 | 697 | 699 | +0.28 | | | | | | | | | | | | | | | | | | | | | | | | | | | | | | | | | | | | | | |
| R2 | 770 | 766 | -0.52 | | | | | | | | | | | | | | | | | | | | | | | | | | | | | | | | | | | | | | |
| R3 | 852 | 848 | -0.47 | | | | | | | | | | | | | | | | | | | | | | | | | | | | | | | | | | | | | | |
| R4 | 941 | 948 | +0.74 | | | | | | | | | | | | | | | | | | | | | | | | | | | | | | | | | | | | | | |
| C1 | 1209 | 1216 | +0.57 | | | | | | | | | | | | | | | | | | | | | | | | | | | | | | | | | | | | | | |
| C2 | 1336 | 1332 | -0.30 | | | | | | | | | | | | | | | | | | | | | | | | | | | | | | | | | | | | | | |
| C3 | 1477 | 1472 | -0.34 | | | | | | | | | | | | | | | | | | | | | | | | | | | | | | | | | | | | | | |
| V _{DD} , V _{SS} | 16, 8 | 1, 8 | 20, 10 | I | Power input pins. | | | | | | | | | | | | | | | | | | | | | | | | | | | | | | | | | | | | |

W91473 SERIES

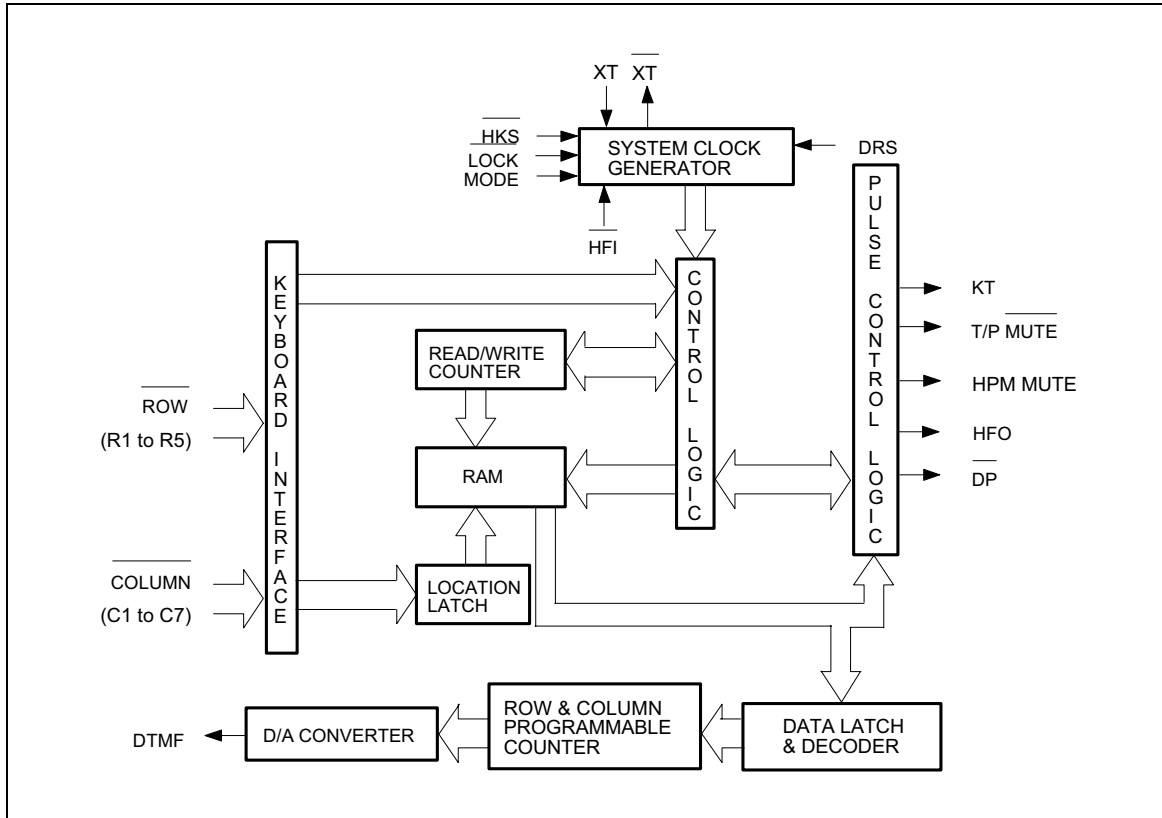


Pin Description, continued

| SYMBOL | 22-PIN | 24-PIN | 28-PIN | I/O | FUNCTION | | | | | | | | | | | | | | | | | | | | | | | | | | | | | | | | | | | | | | | | |
|-------------------------------|----------|------------------------------------|-----------|---------|---|---------------|----------|------------|-----------|-----|----------|-----|-------|--------|---------|----------|-------|------------------------------------|------|-----|---------|------|------------------------------------|-----|-----|----------|--------|------------------------------------|----------|-------|---------|-----|----------|------|-----|----------|-----|---------|-----|----|----------|------|---------|------|-----|
| $\overline{\text{HFI}}$, HFO | - | 12, 13 | 14, 15 | I, O | <p>Handfree control pins. A low pulse on the $\overline{\text{HFI}}$ input pin toggles the handfree control state. Status of the handfree control state is listed in the following table:</p> <table border="1"> <thead> <tr> <th colspan="2">CURRENT STATE</th> <th colspan="3">NEXT STATE</th> </tr> <tr> <th>Hook Sw.</th> <th>HFO</th> <th>Input</th> <th>HFO</th> <th>Dialing</th> </tr> </thead> <tbody> <tr> <td>-</td> <td>Low</td> <td>$\overline{\text{HFI}}$ \uparrow</td> <td>High</td> <td>Yes</td> </tr> <tr> <td>On Hook</td> <td>High</td> <td>$\overline{\text{HFI}}$ \uparrow</td> <td>Low</td> <td>No</td> </tr> <tr> <td>Off Hook</td> <td>High</td> <td>$\overline{\text{HFI}}$ \uparrow</td> <td>Low</td> <td>Yes</td> </tr> <tr> <td>On Hook</td> <td>-</td> <td>Off Hook</td> <td>Low</td> <td>Yes</td> </tr> <tr> <td>Off Hook</td> <td>Low</td> <td>On Hook</td> <td>Low</td> <td>No</td> </tr> <tr> <td>Off Hook</td> <td>High</td> <td>On Hook</td> <td>High</td> <td>Yes</td> </tr> </tbody> </table> <p>The $\overline{\text{HFI}}$ pin is pulled to VDD by an internal resistor.</p> | CURRENT STATE | | NEXT STATE | | | Hook Sw. | HFO | Input | HFO | Dialing | - | Low | $\overline{\text{HFI}}$ \uparrow | High | Yes | On Hook | High | $\overline{\text{HFI}}$ \uparrow | Low | No | Off Hook | High | $\overline{\text{HFI}}$ \uparrow | Low | Yes | On Hook | - | Off Hook | Low | Yes | Off Hook | Low | On Hook | Low | No | Off Hook | High | On Hook | High | Yes |
| CURRENT STATE | | NEXT STATE | | | | | | | | | | | | | | | | | | | | | | | | | | | | | | | | | | | | | | | | | | | |
| Hook Sw. | HFO | Input | HFO | Dialing | | | | | | | | | | | | | | | | | | | | | | | | | | | | | | | | | | | | | | | | | |
| - | Low | $\overline{\text{HFI}}$ \uparrow | High | Yes | | | | | | | | | | | | | | | | | | | | | | | | | | | | | | | | | | | | | | | | | |
| On Hook | High | $\overline{\text{HFI}}$ \uparrow | Low | No | | | | | | | | | | | | | | | | | | | | | | | | | | | | | | | | | | | | | | | | | |
| Off Hook | High | $\overline{\text{HFI}}$ \uparrow | Low | Yes | | | | | | | | | | | | | | | | | | | | | | | | | | | | | | | | | | | | | | | | | |
| On Hook | - | Off Hook | Low | Yes | | | | | | | | | | | | | | | | | | | | | | | | | | | | | | | | | | | | | | | | | |
| Off Hook | Low | On Hook | Low | No | | | | | | | | | | | | | | | | | | | | | | | | | | | | | | | | | | | | | | | | | |
| Off Hook | High | On Hook | High | Yes | | | | | | | | | | | | | | | | | | | | | | | | | | | | | | | | | | | | | | | | | |
| KT | - | - | 9 | O | <p>Keytone signal output. The keytone will be generated in all valid keys are pressed in tone mode. Frequency is 600 Hz and duration is 35 mS.</p> | | | | | | | | | | | | | | | | | | | | | | | | | | | | | | | | | | | | | | | | |
| DRS | - | - | 21 | I | <p>Dial rate selection. This pin is pulled to VDD by an internal resistor.</p> <table border="1"> <thead> <tr> <th>DRS</th> <th>MODE PIN</th> <th>TONE/PULSE</th> <th>DIAL RATE</th> <th>M/B</th> </tr> </thead> <tbody> <tr> <td rowspan="3">1</td> <td>VDD</td> <td>Pulse</td> <td>10 ppS</td> <td>2:3</td> </tr> <tr> <td>Floating</td> <td>Pulse</td> <td>10 ppS</td> <td>1:2</td> </tr> <tr> <td>VSS</td> <td>Tone</td> <td>-</td> <td>-</td> </tr> <tr> <td rowspan="3">0</td> <td>VDD</td> <td>Pulse</td> <td>10 ppS</td> <td>1:2</td> </tr> <tr> <td>Floating</td> <td>Pulse</td> <td>20 ppS</td> <td>1:2</td> </tr> <tr> <td>VSS</td> <td>Tone</td> <td>-</td> <td>-</td> </tr> </tbody> </table> | DRS | MODE PIN | TONE/PULSE | DIAL RATE | M/B | 1 | VDD | Pulse | 10 ppS | 2:3 | Floating | Pulse | 10 ppS | 1:2 | VSS | Tone | - | - | 0 | VDD | Pulse | 10 ppS | 1:2 | Floating | Pulse | 20 ppS | 1:2 | VSS | Tone | - | - | | | | | | | | | |
| DRS | MODE PIN | TONE/PULSE | DIAL RATE | M/B | | | | | | | | | | | | | | | | | | | | | | | | | | | | | | | | | | | | | | | | | |
| 1 | VDD | Pulse | 10 ppS | 2:3 | | | | | | | | | | | | | | | | | | | | | | | | | | | | | | | | | | | | | | | | | |
| | Floating | Pulse | 10 ppS | 1:2 | | | | | | | | | | | | | | | | | | | | | | | | | | | | | | | | | | | | | | | | | |
| | VSS | Tone | - | - | | | | | | | | | | | | | | | | | | | | | | | | | | | | | | | | | | | | | | | | | |
| 0 | VDD | Pulse | 10 ppS | 1:2 | | | | | | | | | | | | | | | | | | | | | | | | | | | | | | | | | | | | | | | | | |
| | Floating | Pulse | 20 ppS | 1:2 | | | | | | | | | | | | | | | | | | | | | | | | | | | | | | | | | | | | | | | | | |
| | VSS | Tone | - | - | | | | | | | | | | | | | | | | | | | | | | | | | | | | | | | | | | | | | | | | | |



BLOCK DIAGRAM



FUNCTIONAL DESCRIPTION

Keyboard Operation

| C1 | C2 | C3 | C4 | C5 | C6 | C7 | |
|-----|----|----|-----|-----|-----|------|----|
| 1 | 2 | 3 | S | M00 | M05 | EM1 | R1 |
| 4 | 5 | 6 | | M01 | M06 | EM2 | R2 |
| 7 | 8 | 9 | CLR | M02 | M07 | EM3 | R3 |
| */T | 0 | # | R/P | M03 | M08 | H | R4 |
| F1 | F2 | F3 | R | M04 | M09 | *MER | R5 |

Note: *MER location in W91473C/CL or W91473D/DL is SAVE memory.

- S: Store function key



- F1, F2, F3: Flash keys
- R: One-key redial
- H: Hold function key
- M0j: Direct repertory memory
- EMi: One-touch memory for emergency call
- */T: * & P→T
- CLR: Clear key
- R/P: Redial and pause function key
- MER: One-touch memory for mercury code dialing

Note: Dn = 0 to 9, *, #, M0j = M00 to M09 (j = 0 to 9).

Normal Dialing

OFF HOOK (or ON HOOK & $\overline{\text{HFI}} \overline{\text{i}} \underline{\text{1}}$), D1, D2, ..., Dn

1. D1, D2, ..., Dn will be dialed out.
2. Dialing length is unlimited, but redial is inhibited if length oversteps 32 digits.

Redialing

1. OFF HOOK, D1, D2, ..., Dn BUSY, Come ON HOOK, OFF HOOK
 (or ON HOOK & $\overline{\text{HFI}} \overline{\text{i}} \underline{\text{1}}$), R/P
 or ON HOOK & $\overline{\text{HFI}} \overline{\text{i}} \underline{\text{1}}$, D1, D2, ..., Dn BUSY, $\overline{\text{HFI}} \overline{\text{i}} \underline{\text{1}}$ Come
 $\overline{\text{HFI}} \overline{\text{i}} \underline{\text{1}}$, R/P

The R/P key can execute redial function only as first key-in after off-hook. Otherwise, it will execute pause function.

2. OFF HOOK (or ON HOOK & $\overline{\text{HFI}} \overline{\text{i}} \underline{\text{1}}$), D1, D2, ..., Dn, R
 - a. The one-key redial function timing diagram is shown in Figure 4.
 - b. If dialing D1 to Dn is completed, pressing the R key will cause the pulse output pin of R to go low for 2.2 seconds. Break time and a 600 mS pause will automatically be added.
 - c. If the R key is pressed before the pulses for the number dialed out are completed, it will be ignored.



Number Store

1. **OFF HOOK** (or **ON HOOK** & $\overline{\text{HFI}} \overline{\text{i}} \overline{\text{j}}$), **S** , **D1** , **D2** , ..., **Dn**
S , **Moj** (or **EMi** or **MER**)

D1, D2, ..., Dn will be stored in memory location but will not be dialed out.

R/P and ***T** keys can be stored as a digit in memory. In store mode, **R/P** is the pause function key.

The store mode can be released after the store function is executed or the state of the hook switch is changed.

2. **S** , **D1** , **D2** , ..., **Dn** , **S** , **0** , **j**

D1, D2, ..., Dn will be stored in memory location M0j and will not be dialed out.

3. **OFFHOOK** (or **ON HOOK** & $\overline{\text{HFI}} \overline{\text{i}} \overline{\text{j}}$), **D1** , **D2** , ..., **Dn** , **S** ,
S , **Mn**

a. D1, D2, ..., Dn will be stored in memory location and will be dialed out.

b. The **S** key must be pressed after completion of the dialing sequence.

4. **D1** , **D2** , ..., **Dn** , **S** , **S** , **0** , **j**

D1, D2, ..., Dn will be stored in memory location M0j and will be dialed out.

Repertory Dialing

1. **OFF HOOK** (or **ON HOOK** & $\overline{\text{HFI}} \overline{\text{i}} \overline{\text{j}}$), **Moj** (or **EMi** or **MER**)

Access Pause

1. **OFF HOOK** (or **ON HOOK** & $\overline{\text{HFI}} \overline{\text{i}} \overline{\text{j}}$), **D1** , **D2** , **R/P** , **D3** , ..., **Dn**

1. The pause function can be stored in memory.

2. The pause function is executed in normal dialing, redialing, or memory dialing.

3. The pause function timing diagram is shown in Figure 5.



Pulse-to-Tone (* / T)

OFF HOOK (or ON HOOK & $\overline{\text{HFI}} \overline{\text{i}} \perp$), D1, D2, ..., Dn, * / T, D1', D2', ..., Dn'

1. If the mode switch is set to pulse mode, then the output signal will be:

D1, D2, ..., Dn, Pause (3.6s), D1', D2', ..., Dn'
(Pulse) (Tone)

2. If the mode switch is set to tone mode, then the output signal will be:

D1, D2, ..., Dn, *, D1', D2', ..., Dn'
(Tone) (Tone) (Tone)

3. The dialer remains in tone mode when the digits have been dialed out and can be reset to pulse mode only by going on-hook.

4. The P→T function timing diagram is shown in Figure 6.

5. * / T key cannot be stored as a digit in memory.

Save

1. OFF HOOK (or ON HOOK & $\overline{\text{HFI}} \overline{\text{i}} \perp$), S, D1, D2, ..., Dn, S, SAVE

D1, D2, ..., Dn, will be stored in SAVE memory but will not be dialed out.

2. OFFHOOK (or ON HOOK & $\overline{\text{HFI}} \overline{\text{i}} \perp$), D1, D2, ..., Dn, S, S, SAVE

D1, D2, ..., Dn, will be stored in SAVE memory and will be dialed out.

3. OFF HOOK (or ON HOOK & $\overline{\text{HFI}} \overline{\text{i}} \perp$), SAVE

The content of SAVE memory will be dialed out.

Flash (F = F1, F2, F3)

OFF HOOK (or ON HOOK & $\overline{\text{HFI}} \overline{\text{i}} \perp$), F

1. Flash key cannot be stored as a digit in memory and it has first priority among keyboard functions.

2. The system will return to the initial state after the break time is finished.

3. The flash function timing diagram is shown in Figure 7.

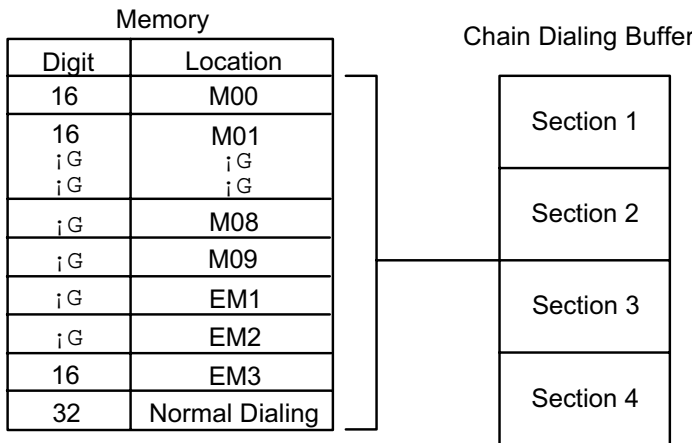


Clear key

1. , (or)
Redial and one-key redial buffer will be cleared.
2. ,
Location M0j buffer content will be cleared.
3. , ,
Location M0j buffer content will be cleared.

CHAIN DIALING

Relationship between the memory and the chain dialing buffer:



The chain dialing buffer may be divided into four sections, allowing up to four numbers to be dialed out in sequence. For example, if the user enters M01, M03, EM1, and normal dialing (manual dialing), the content of sections 1 to 4 will be M01, M03, EM1, and normal dialing (manual dialing). When numbers are entered into the chain dialing buffer, there is no need to wait until the previous dialing sequence has been completed. Numbers may be entered directly, one after the other, even while previous numbers are being dialed out.

1. i
Redial buffer content = Manual dialing + Repertory dialing.
2. i
Redial buffer content = Repertory dialing + Manual dialing.
3. i
Redial buffer content = Repertory dialing + Repertory dialing.
4. i
Redial buffer content = Redialing + Manual dialing.

W91473 SERIES



The primary redial content may not be manual dialing. Otherwise, the last redial content will be overwritten.

5. i ~

Redial buffer content = Redialing + Repertory dialing.

Redialing is valid only as the first key-in after off-hook or after the handfree dialing function is toggled on.

The second sequence should not be performed until the first sequence is completely dialed out.

6. i ~

Redial buffer content = Manual dialing.

The one-key redial may only be used after dialing out of a manual dialing sequence is completed.

7. i ~ i ~

i ~

or

i ~ i ~

, , ,

M1 and M2 represent any of the repertory dialing memories.

The first redialing will dial out M1; the second will dial out M1, M2.

If dialing out of the repertory dialing memories has not been completed, the one-key redial key will be ignored.

Dialing of the second repertory dialing memory (M2) should not be performed until the one-key redialing operation is completed.

Notes:

Chain dialing (cascaded dialing) allows for memory or manual dialing while a previous dialing sequence is still being dialed out. More than one sequence of manual dialing is not permitted. Entering more than one manual dialing sequence will inhibit redialing. Chain dialing of more than four sections is not permitted.

i ~ i ~ (two sections of manual dialing)

If more than four sections are entered, all sections after the fourth section will be ignored and redialing will be inhibited.

i ~ i ~ i ~ i ~ (over 4 sections, ignore

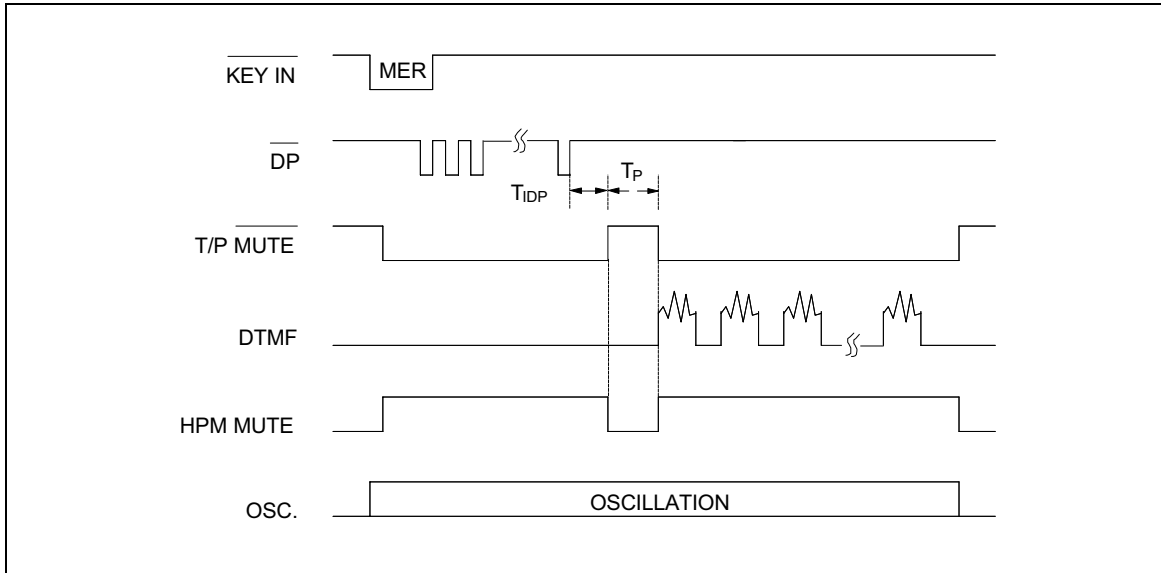
and inhibit redial)

There is a 2.0 sec. inter-chain dialing pause for cascaded dialing.



MERCURY DIALING

1. Up to 32 digits may be stored.
2. Mercury dialing is activated only as the first key-in after off-hook or handfree dialing is activated.
3. The timing diagram for the mercury memory function is given below.



Mercury Function Timing Diagram

ABSOLUTE MAXIMUM RATINGS

| PARAMETER | SYMBOL | RATING | UNIT |
|-----------------------|-----------------|--------------|------|
| DC Supply Voltage | $V_{DD}-V_{SS}$ | -0.3 to +7.0 | V |
| Input/Output Voltage | V_{IL} | $V_{SS}-0.3$ | V |
| | V_{IH} | $V_{DD}+0.3$ | V |
| | V_{OL} | $V_{SS}-0.3$ | V |
| | V_{OH} | $V_{DD}+0.3$ | V |
| Power Dissipation | P_D | 120 | mW |
| Operating Temperature | T_{OPR} | -20 to +70 | °C |
| Storage Temperature | T_{STG} | -55 to +125 | °C |

Note: Exposure to conditions beyond those listed under Absolute Maximum Ratings may adversely affect the life and reliability of the device.

W91473 SERIES



DC CHARACTERISTICS

(VDD-VSS = 2.5V, Fosc. = 3.58 MHz, Ta = 25° C, all outputs unloaded)

| PARAMETER | SYMBOL | CONDITIONS | MIN. | TYP. | MAX. | UNIT |
|--|--------|--|------|------|------|---------------|
| Operating Voltage | VDD | | 2.0 | - | 5.5 | V |
| Operating Current | IOP | Tone | - | 0.3 | 0.5 | mA |
| | | Pulse | - | 0.15 | 0.3 | |
| Standby Current | ISR | $\overline{\text{HKS}} = 0$, No load & No key entry | - | - | 15 | μA |
| Memory Retention Current | IMR | $\overline{\text{HKS}} = 1$, VDD = 1.0V | - | - | 0.2 | μA |
| DTMF Output Voltage | VTO | Row group, RL = 5 K Ω | 130 | 150 | 170 | Vrms |
| Pre-emphasis | - | Col/Row, VDD = 2.0 to 5.5V | 1 | 2 | 3 | dB |
| DTMF Distortion | THD | RL = 5 K Ω , VDD = 2.0 to 5.5V | - | -30 | -23 | dB |
| DTMF Output DC Level | VTDC | RL = 5 K Ω , VDD = 2.0 to 5.5V | 1.0 | - | 3.0 | V |
| DTMF Output Sink Current | ITL | VTO = 0.5V | 0.2 | - | - | mA |
| $\overline{\text{DP}}$ Output Sink Current | IPL | VPO = 0.5V | 0.5 | - | - | mA |
| T/P $\overline{\text{MTUE}}$ Output Sink Current | IMI | VMO = 0.5V | 0.5 | - | - | mA |
| HPM MUTE Output Sink Current | IHPMI | VTO = 0.5V | 0.5 | - | - | mA |
| HPM MUTE Output drive Current | IHPMH | VTH = 2.0V | 0.5 | - | - | mA |
| $\overline{\text{HKS}}$ I/P Pull-high Resistor | RKH | | - | 300 | - | K Ω |
| Key Tone Output Current | IKTH | VKTH = 2.0V | 0.5 | - | - | mA |
| | IKTL | VKTH = 0.5V | 0.5 | - | - | |
| HFO Drive/Sink Current | IHFH | VHFH = 2.0V | 0.5 | - | - | mA |
| | IHFL | VHFL = 0.5 | 0.5 | - | - | |
| Keypad Input Drive Current | IKD | VI = 0V | 30 | - | - | μA |
| Keypad Input Sink Current | IKS | VI = 2.5V | 200 | 400 | - | μA |
| Keypad Resistance | | | - | - | 5.0 | K Ω |

W91473 SERIES



AC CHARACTERISTICS

| PARAMETER | SYMBOL | CONDITIONS | MIN. | TYP. | MAX. | UNIT |
|---------------------------------|-----------------|--------------|------|-------|------|------|
| Keypad Active in Debounce | TKID | - | - | 20 | - | mS |
| Key Release Debounce | TKRD | - | - | 20 | - | mS |
| Pre-digit Pause ¹ | TPDP1 10 ppS | M/B = 2/3 | - | 40 | - | mS |
| | | M/B = 1/2 | - | 33.3 | - | |
| Pre-digit Pause ² | TPDP2 20 ppS | M/B = 2/3 | - | 20 | - | mS |
| | | M/B = 1/2 | - | 16.7 | - | |
| Interdigit Pause (Auto dialing) | TIDP | 10 ppS | - | 800 | - | mS |
| | | 20 ppS | - | 500 | - | |
| Make/Break Ratio | M/B | M/B = 2/3 | - | 40:60 | - | % |
| | | M/B = 1/2 | - | 33:67 | - | |
| Tone Output Duration | TTD | Auto Dialing | - | 93 | - | mS |
| Intertone Pause | TITP | Auto Dialing | - | 93 | - | mS |
| Flash Break Time | TFB | - | - | 98 | - | mS |
| | | | - | 305 | - | |
| | | | - | 600 | - | |
| Pause Time | TP | - | - | 3.6 | - | S |
| Key Tone Frequency | FKT | - | - | 600 | - | Hz |
| Key Tone Duration | TKTD | - | - | 35 | - | mS |
| One-key Redialing Pause Time | TPR | - | - | 600 | - | mS |
| One-key Redialing Break Time | TRB | - | - | 2.2 | - | S |
| First key-in Pause Time | TFKP | - | - | 600 | - | mS |

Notes:

- Crystal parameters suggested for proper operation are $R_s < 100\Omega$, $L_m = 96 \text{ mH}$, $C_m = 0.02 \text{ pF}$, $C_n = 5 \text{ pF}$, $C_l = 18 \text{ pF}$,
Fosc. = 3.579545 MHz $\pm 0.02\%$.
- Crystal oscillator accuracy directly affects these times.

TIMING WAVEFORMS

W91473 SERIES

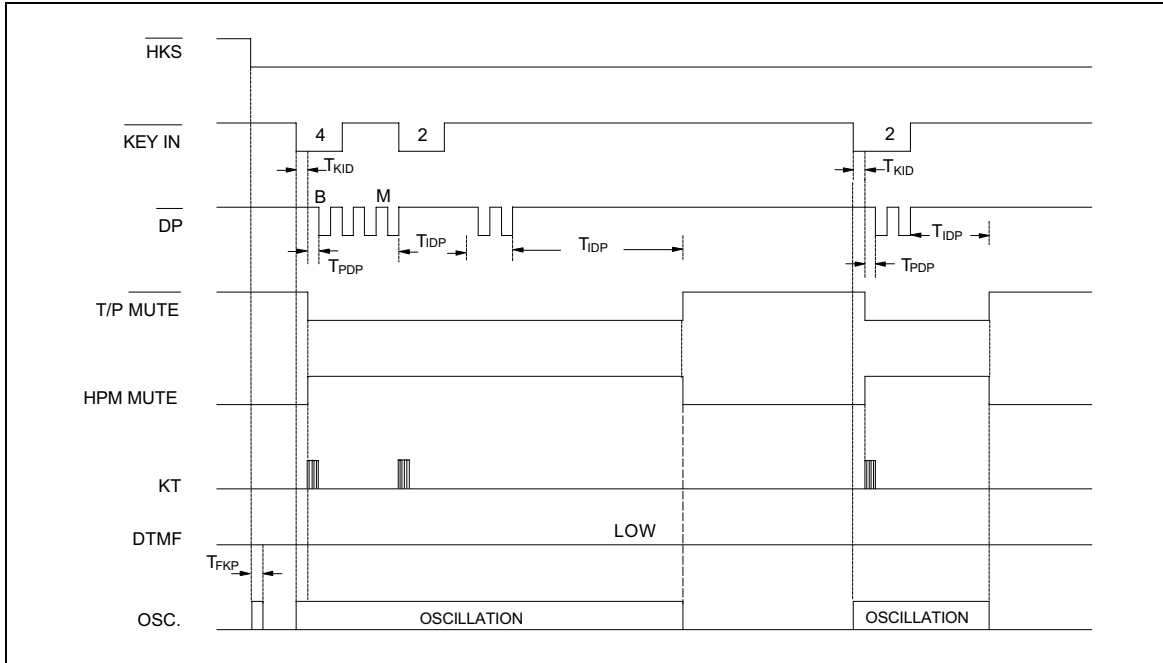


Figure 1. Pulse Mode Diagram (Normal Dialing)

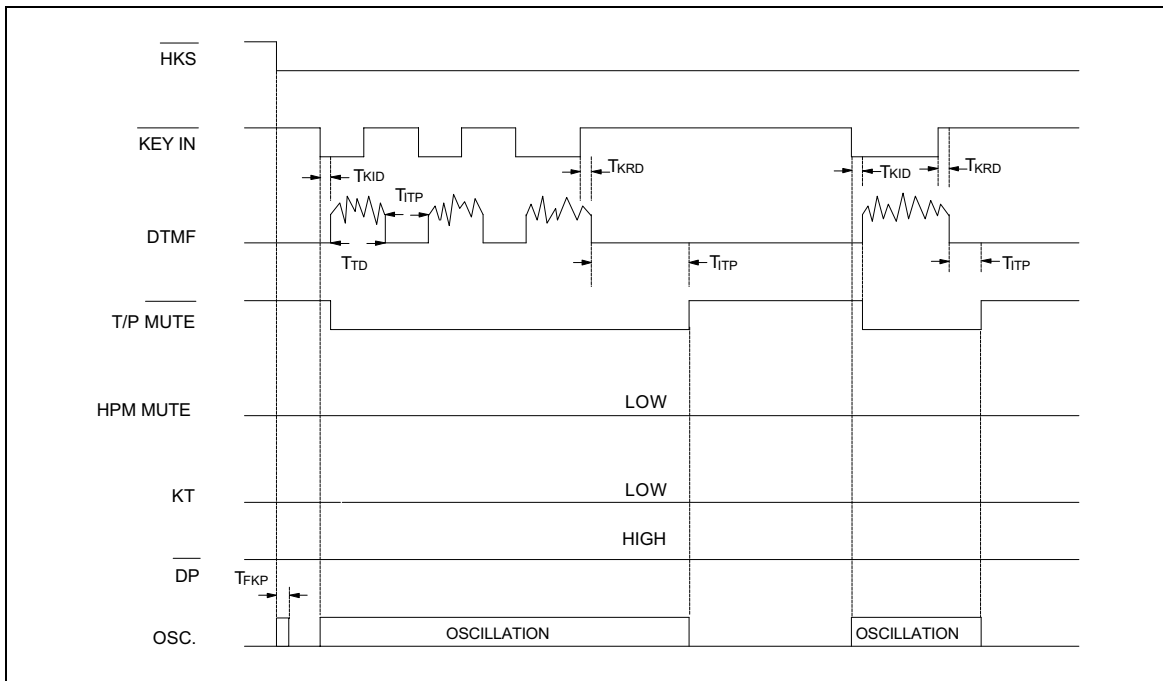


Figure 2. Tone Mode Diagram (Normal Dialing)

Timing waveforms, continued

W91473 SERIES

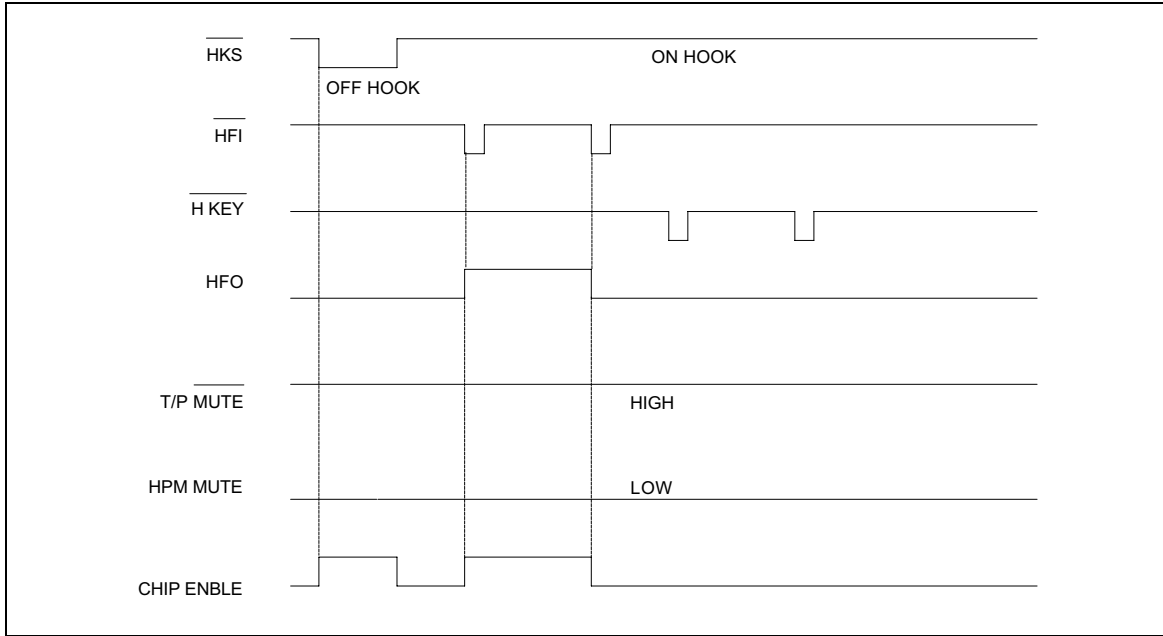


Figure 3(a).

Note: The $\overline{\text{H KEY}}$ cannot be enabled when chip is disabled.

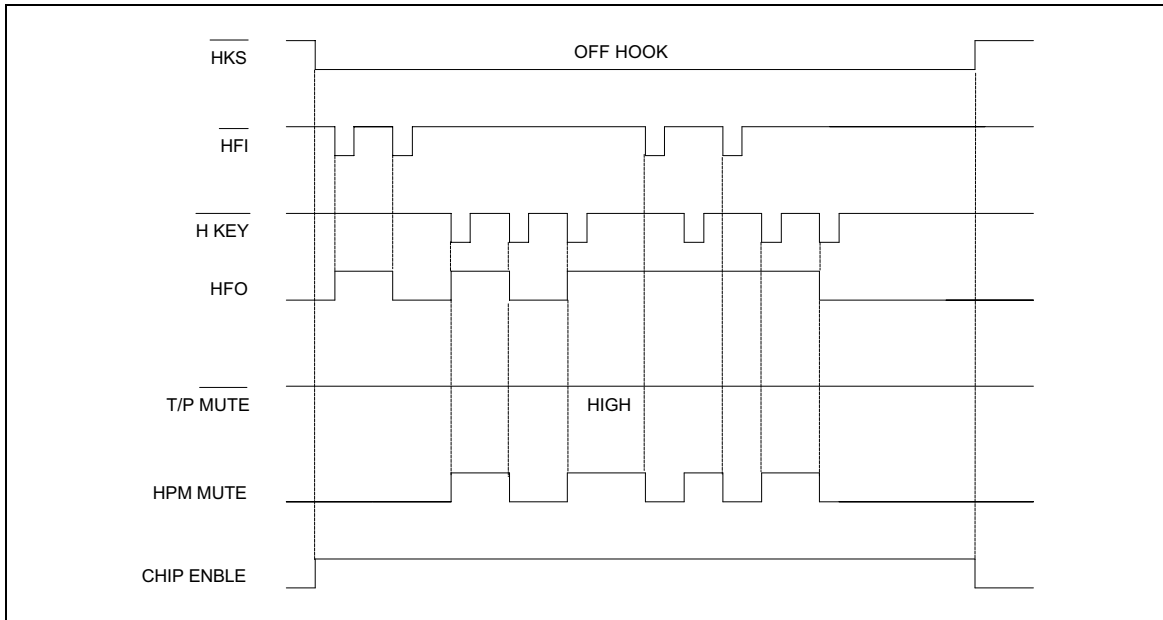


Figure 3(b).

Note: The $\overline{\text{HFI}}$ and $\overline{\text{H KEY}}$ inputs will toggle the HFO signal; as soon as either $\overline{\text{HFI}}$ or $\overline{\text{H KEY}}$ is activated, the HFO signal will go high and previous inputs will be ignored.



Timing waveforms, continued

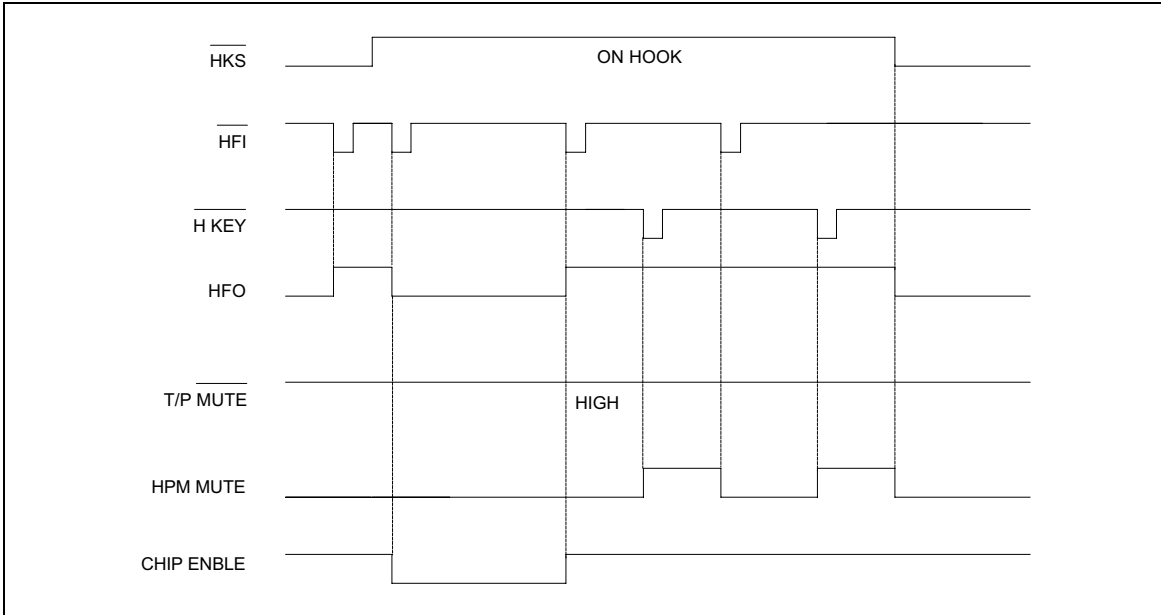


Figure 3(c).

Note: Changing the state of the HKS signal from high to low will initialize the HFO and HPM MUTE signals.

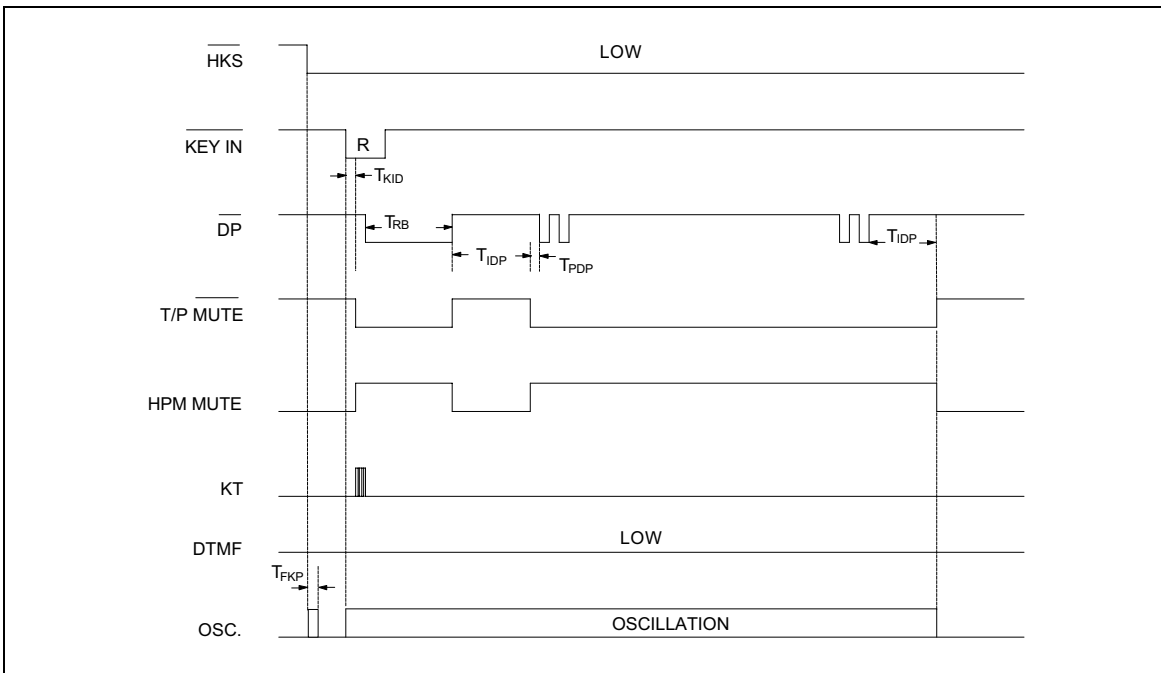


Figure 4. Pulse Mode One-key Redialing Timing Diagram (when not first key)

W91473 SERIES



Timing waveforms, continued

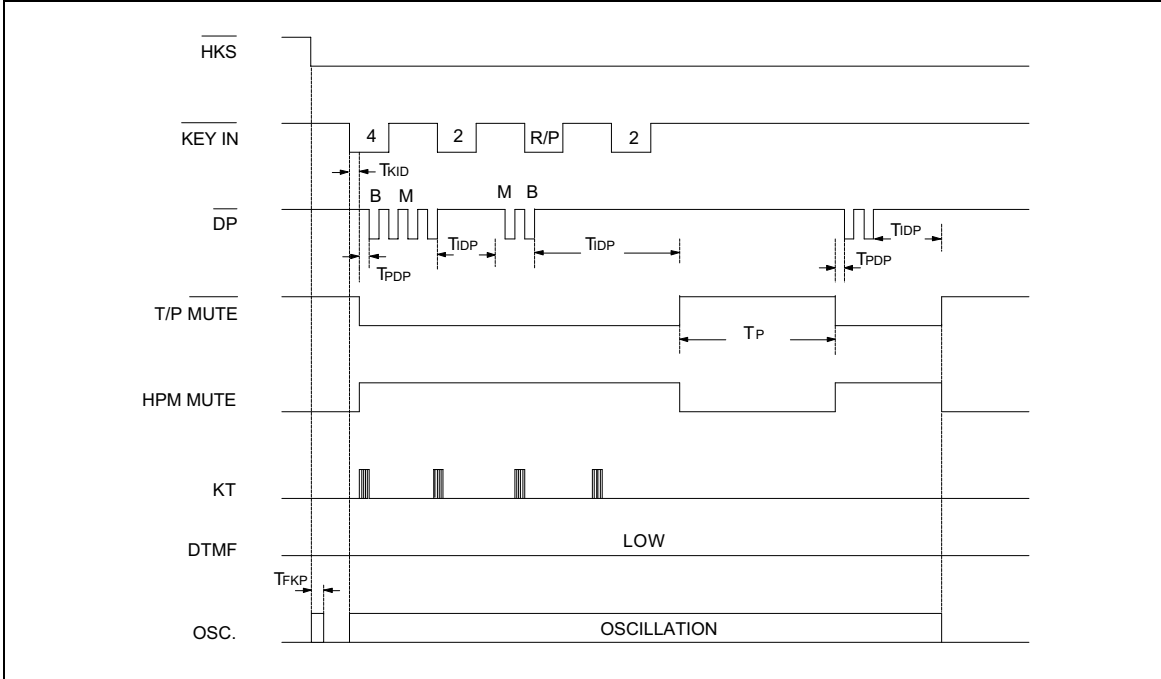


Figure 5. Pause Function Timing Diagram

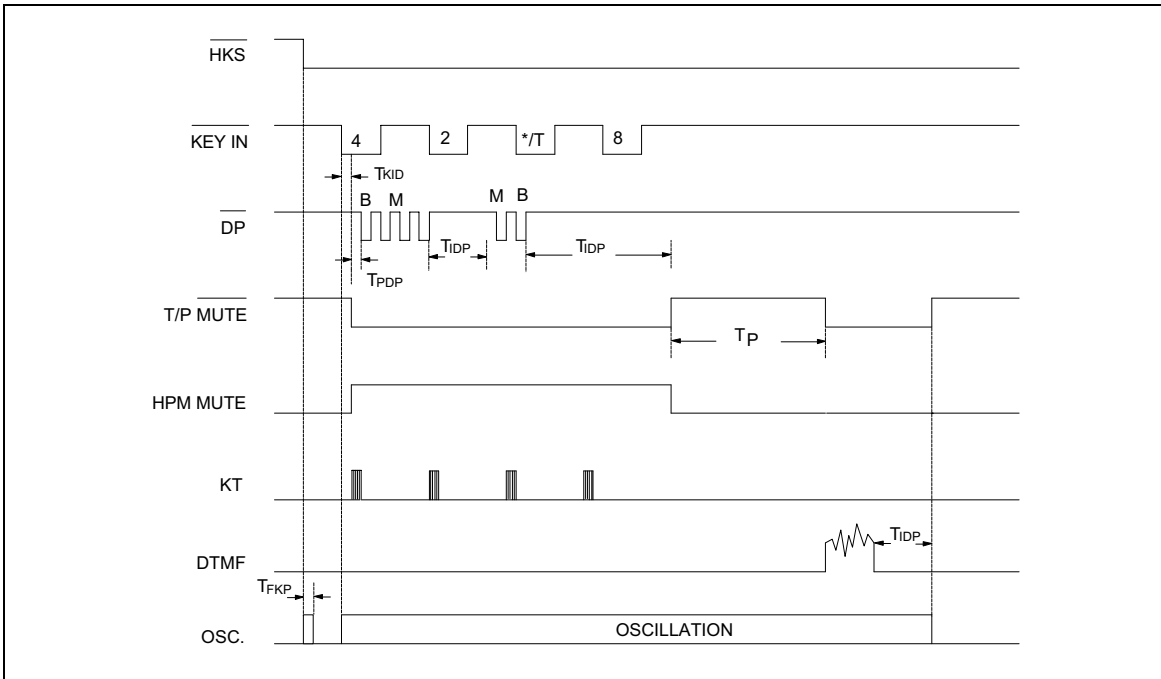


Figure 6. Pulse-to-Tone Function Timing Diagram

W91473 SERIES



Timing waveforms, continued

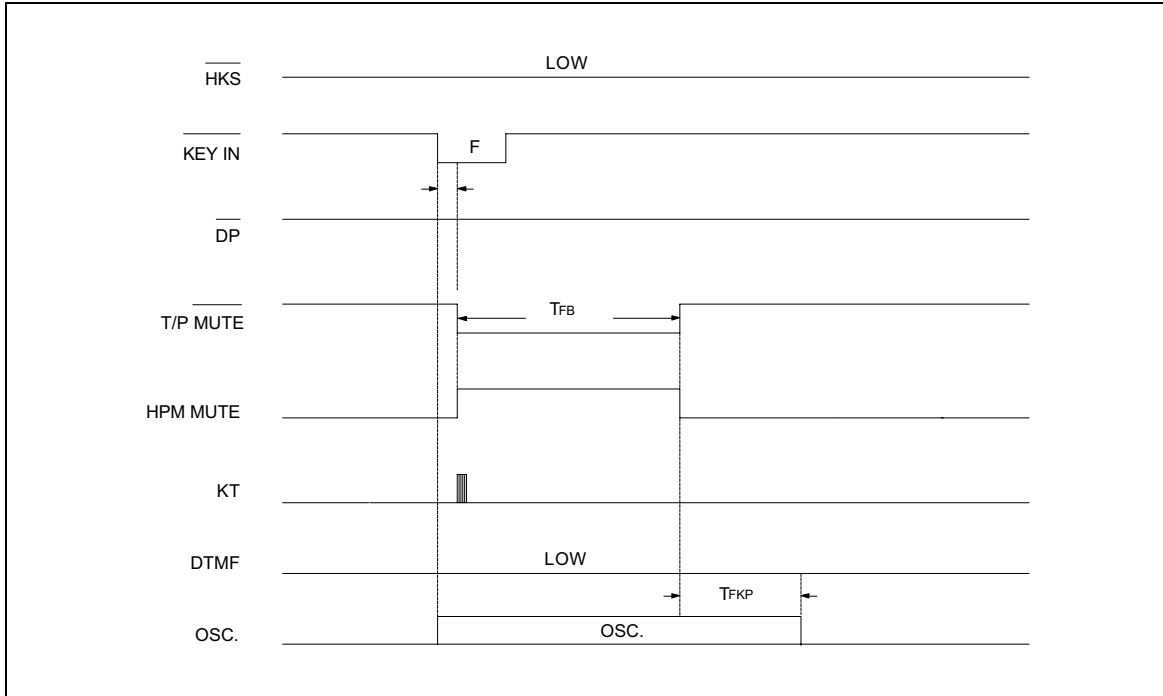


Figure 7. Flash Operation Timing Diagram

W91473 SERIES



Headquarters

No. 4, Creation Rd. III,
Science-Based Industrial Park,
Hsinchu, Taiwan
TEL: 886-3-5770066
FAX: 886-3-5792697
<http://www.winbond.com.tw/>
Voice & Fax-on-demand: 886-2-7197006

Taipei Office

11F, No. 115, Sec. 3, Min-Sheng East Rd.,
Taipei, Taiwan
TEL: 886-2-7190505
FAX: 886-2-7197502

Winbond Electronics (H.K.) Ltd.

Rm. 803, World Trade Square, Tower II,
123 Hoi Bun Rd., Kwun Tong,
Kowloon, Hong Kong
TEL: 852-27516023
FAX: 852-27552064

Winbond Electronics North America Corp.

Winbond Memory Lab.
Winbond Microelectronics Corp.
Winbond Systems Lab.
2730 Orchard Parkway, San Jose,
CA 95134, U.S.A.
TEL: 1-408-9436666
FAX: 1-408-9436668

Note: All data and specifications are subject to change without notice.