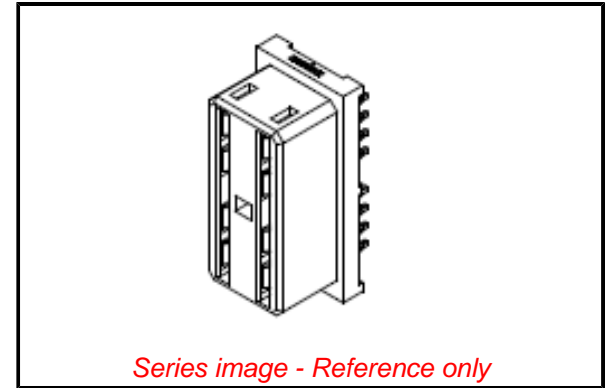


PLEASE CHECK WWW.MOLEX.COM FOR LATEST PART INFORMATION

Part Number: [0782161001](#)
Status: **Active**
Overview: Impact Backplane Connector and Cable Assembly System
Description: Impact 5 Pair, Vertical Power Receptacle, Press-Fit, LCP, Glass Filled UL94-V0, Black, Lead-Free

Documents:

3D Model	Application Specification AS-76060-9997-001 (PDF)
3D Model (PDF)	Packaging Specification PK-78216-001-001 (PDF)
Drawing (PDF)	Symbol Footprint Data SYM-78216-1001-001 (PDF)
Product Specification PS-78213-001-001 (PDF)	RoHS Certificate of Compliance (PDF)



Agency Certification

CSA	LR19980
UL	E29179

General

Product Family	Backplane Connectors
Series	78216
Application	Conventional, Mezzanine, Orthogonal Midplane
Application Tooling Documents	TM-622018799-001
Component Type	Power Receptacle
Overview	Impact Backplane Connector and Cable Assembly System
Product Name	Impact
UPC	883906511500

Physical

Circuits (Loaded)	4
Circuits (maximum)	4
Color - Resin	Black
Durability (mating cycles max)	200
First Mate / Last Break	No
Flammability	94V-0
Guide to Mating Part	No
Keying to Mating Part	None
Material - Metal	Copper Alloy
Material - Plating Mating	Gold
Material - Plating Termination	Tin
Material - Resin	High Temperature Thermoplastic
Net Weight	3.219/g
Number of Columns	N/A
Number of Pairs	5
Number of Rows	2
Orientation	Vertical
PC Tail Length	2.50mm
PCB Locator	No
PCB Retention	None
PCB Thickness - Recommended	1.60mm
Packaging Type	Tray
Pitch - Mating Interface	5.20mm
Pitch - Termination Interface	2.00mm, 3.20mm
Plating min - Mating	0.762µm
Plating min - Termination	2.540µm
Polarized to PCB	No
Stackable	No
Surface Mount Compatible (SMC)	No

EU ELV

Not Relevant

EU RoHS

Compliant

REACH SVHC

Not Contained Per -
D(2021)4569-DC (8
July 2021)

Halogen-Free

Status

Low-Halogen

For more information, please visit [Contact US](#)

China ROHS

ELV

RoHS Phthalates

China RoHS

Green Image

Not Relevant

Not Contained

Search Parts in this Series

[78216](#) Series

Mates With

[78351](#) Impact Right Angle Header, [78446](#) Impact Vertical Headers

Temperature Range - Operating -55° to +85°C
Termination Interface: Style Through Hole - Compliant Pin

Electrical

Current - Maximum per Contact 25.0A
Data Rate N/A
Shield Type N/A
Shielded No
Voltage - Maximum 250V

Solder Process Data

Lead-free Process Capability N/A

Material Info

Reference - Drawing Numbers

Application Specification AS-76060-9997-001
Packaging Specification PK-78216-001-001
Product Specification PS-78213-001-001
Sales Drawing SD-78216-002-001
Symbol/Footprint Data SYM-78216-1001-001

This document was generated on 01/17/2022

PLEASE CHECK WWW.MOLEX.COM FOR LATEST PART INFORMATION

Mouser Electronics

Authorized Distributor

Click to View Pricing, Inventory, Delivery & Lifecycle Information:

[Molex:](#)

[78216-1001](#)