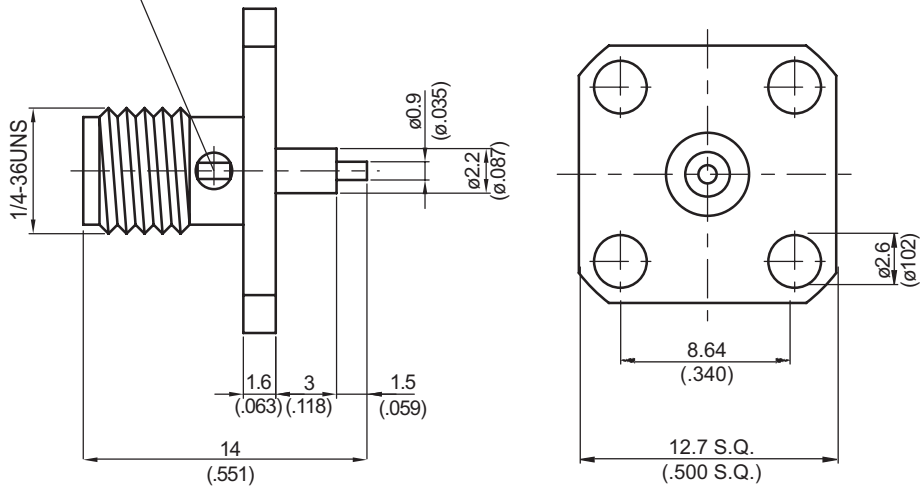


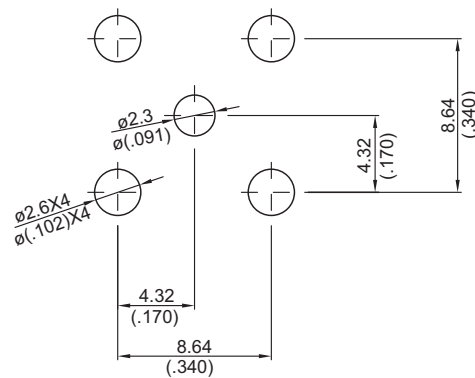
SMA864N4-00AB

SMA Jack For Panel Receptacle 50Ω

EPOXY CAPTIVATION



MOUNTING HOLE :



Parts	Material	Plating (Micro-inch)
Contact Pin	Beryllium Copper	Gold 20 Over Nickel 50 Over Copper 50
Insulator	Teflon	
Body	Brass	Gold 5 Over Nickel 50 Over Copper 50

Weight: 2.56 g

Notice: JYEBAO reserves the right to make modifications deemed appropriate.