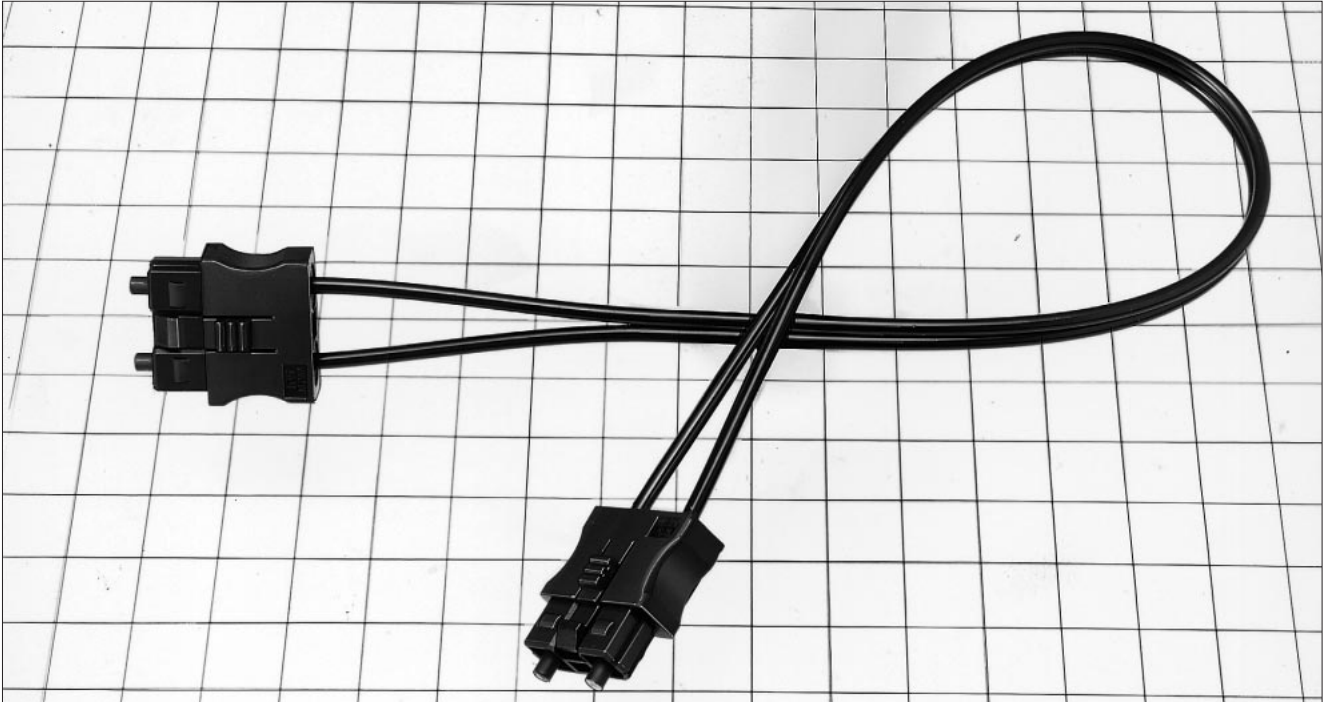


IEEE1394b S100 Standard Connector

ATM Forum Standard P/N Connector. H07 Series



■Features

1. The performance of this connector is IEEE1394b S100 Standard Connector, ATM Forum Standard P/N Connector.
2. **Connectors for Use with POF (Plastic Fiber)**
These connectors have a single body design which includes the ferrules. The connectors are suited to transfer systems that are tens of meters in length.
3. **Connectors for Use with PCS (Plastic-Clad Silica Fiber)**
These connectors are of the floating ferrule type and are suited to transfer systems measuring hundreds of meters in length.
4. **Ferrules**
Ferrules are made of metal and are economical compared to ceramic ferrules.

■Applications

Inter face between equipment such as audio/video, factory automation, and office equipment, and short data links such as transfer systems within equipment.

■**Postscript** These connectors are based on JIS C 5976 F07-type duplex optical fiber connectors and reflect the addition of a friction lock mechanism and improved coupling stability. The connectors are ideal for use in transfer between equipment that is separated by short distances such as LAN and factory automation. Connectors are available in a POF (plastic fiber) type suited to transfer systems that are tens of meters in length and PCS(plastic-clad silica fiber) type suited to transfer systems that are hundreds of meters in length.

Compatibility with the existing F07 connectors:

Connectors for POF: Not compatible

Connectors for PCS: Compatible

Note that revision discussions are planned for the current JIS to move in the direction of acquiring compatibility in 1997.

Product Standards

| | | | | |
|--------|-----------------------------|------------|---------------------------|------------|
| Rating | Operating temperature range | -25°C~85°C | Storage temperature range | -25°C~85°C |
|--------|-----------------------------|------------|---------------------------|------------|

| Item | | Test Method (JIS C 5961) | Standard |
|---------------------------|--|--|---|
| Mechanical Performance | Coupling force and separation force | Measure when connectors are coupled and separated in the direction of the axis at a speed of 50 mm/s. | Coupling force 39.2 N or less No damage, cracks, or part looseness |
| | Repetitive operation | 500 times | |
| | Vibration resistance | Vibration range of 10 to 55 Hz, in 3 directions, 24 cycles each | |
| | Shock resistance | Acceleration of 981 m/s ² , in the both directions along 3 axes, 3 times each (For a total of 18 times) | |
| Environmental performance | Humidity resistance (Temperature and humidity cycle) | Temperature: -10°C to 65°C Humidity 90 to 96% 10 cycles | No conspicuous corrosion |
| | Temperature cycle | Temperature -40 to 100°C, 100 cycles | |
| | Heat resistance | Leave for 240 hours at a temperature of 85°C | |
| | Cold resistance | Leave for 240 hours at a temperature of -40°C | |
| | Salt fog | Left in a 5% concentration of salt fog for 48 hours | |

Materials

| Part name | Material |
|--------------|----------------------------|
| Plug housing | Polybutylene terephthalate |
| Ferrule | Copper alloy |
| Spring | Stainless steel |

Structure of the Product Number

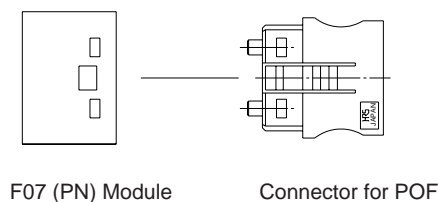
H07 - CP - P1

① ② ③

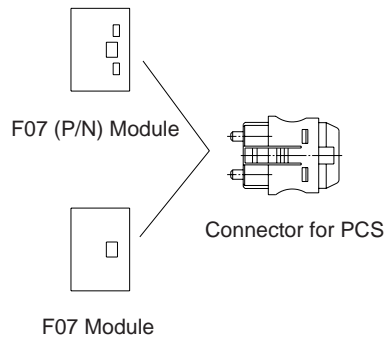
| | |
|---|---|
| ① | Series Name |
| ② | CP: For PCS AP: For POF |
| ③ | P1: Plug 1 EP1: Plug 2 F: Ferrule |

Function Diagram

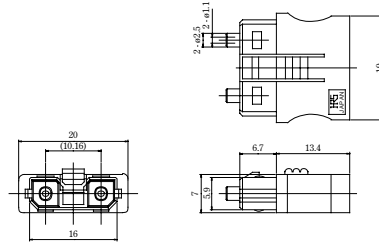
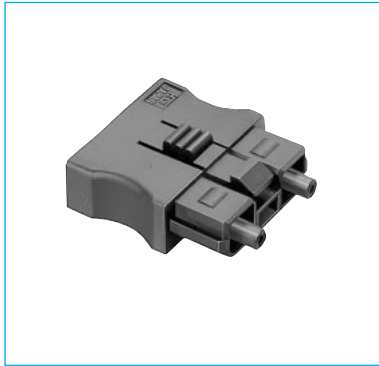
(1) Connectors for POF



(2) Connectors for PCS

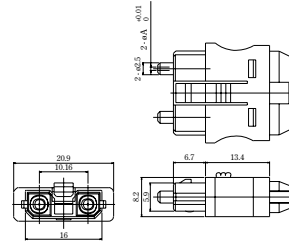
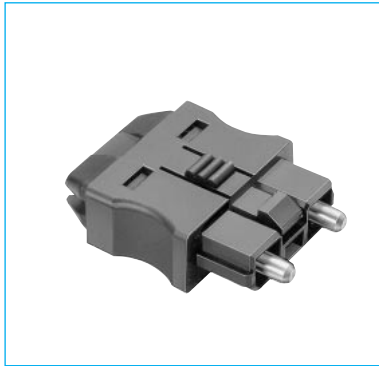


■Connectors for POF



| HRS No. | Product Number | Suitable Cable Diameter | Suitable Fiber Diameter | Notes |
|--------------|----------------|-------------------------|-------------------------|--------------|
| CL822-0001-6 | H07-AP-P1 | ø2.2mm | ø1mm | With ferrule |

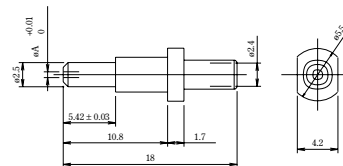
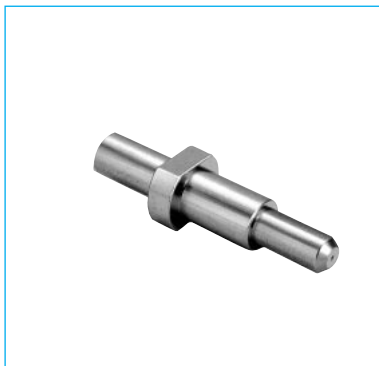
■Connectors for PCS



| HRS No. | Product Number | øA Dimension | Suitable Cable Diameter | Suitable Fiber Diameter | Notes |
|--------------|------------------|--------------|-------------------------|-------------------------|--------------|
| CL822-0002-9 | H07-CP-P1 | — | — | — | No ferrule ※ |
| CL822-0004-8 | H07-CP-P1(F0235) | 0.235 | ø2.2mm | ø0.235 | With ferrule |
| CL822-0015-0 | H07-CP-P1(F0230) | 0.230 | ø2.2mm | ø0.23 | With ferrule |
| CL822-0019-0 | H07-CP-P1(F0300) | 0.300 | ø2.2mm | ø0.30 | With ferrule |

※ The photograph and the dimensions diagram show the type with ferrule. Please contact us about the type without ferrule for details.

■Ferrules for PCS



| HRS No. | Product Number | øA Dimension | Suitable Cable Diameter | Suitable Fiber Diameter | Notes |
|--------------|----------------|--------------|-------------------------|-------------------------|---------|
| CL822-0004-4 | H07-CP-F0235 | 0.235 | ø2.2mm | ø0.235 | For PCS |
| CL822-0006-6 | H07-CP-F0230 | 0.230 | ø2.2mm | ø0.23 | |
| CL822-0018-9 | H07-CP-F0300 | 0.300 | ø2.2mm | ø0.30 | |

■Cable with Connector Attached

●Connectors for POF

| HRS No. | Product Number | Suitable Fiber Diameter | Ferrule End Processing | Notes |
|--------------|----------------|-------------------------|------------------------|-----------|
| CL822-2001-7 | H07-P22-F2V2-L | SI-980/1000 | Heat processing | Both ends |

The "L" within the Product Number indicates the length of the cable. Please contact us for information about cable length. Please specify values of "L" in meter units.