

5000 series

Toggle switches

Distinctive features

UG1410A

THE WIDEST RANGE IN MINIATURE SWITCHES



- 17 actuators including toggles, paddle levers and locking levers in different lengths.

- Various contact materials for low and high currents.

- 8 functions including maintained and momentary versions.

- 1 to 4 pole configurations.



- 12 terminal types including 9 for PC board mounting. Other types include quick-connect and wire-wrap.

- 6 bushing styles from 6 (.236) plain to 11,9 (15/32) threaded.

- 3 types of finish including military black.

- 3 approvals (UL - CSA - CECC).

- 4 types of sealing for terminal or front panel requirements.



- Numerous accessories available for actuator and bushing options.

The company reserves the right to change specifications without notice.

5000 series

Toggle switches

Overview



5

SERIES

Number of poles

- 3 Single pole
- 4 Double pole
- 5 Three pole
- 6 Four pole

Terminals

- Blank** Solder lugs or straight PC depending on model
- M** Solder lugs with Ø 11,9 (15/32) bushing (5600 switches)
- MIWR** Wire wrap (for 5200 switches only)
- W** Right angle, horizontal mounting (5200 - 5400 switches)
- WW** Right angle, vertical mounting (5200 - 5400 switches)
- Y**]
- Y4**] Bracket mounting (5200 switches)
- Y6**]
- Y7**]
- Z** Quick connect (5200 - 5100 - 5900 switches)

Terminals and bushing

- 0** Straight PC terminals, 5,08 (.200) terminal spacing, with Ø 6,35 (1/4) threaded bushing
- 1** Straight PC or quick-connect terminals, 4,70 (.185) terminal spacing, with Ø 6 (.236) threaded bushing.
- 2** Straight PC terminals, 4,70 (.185) terminal spacing, right angle, quick-connect or wire wrap terminals, with 6,35 (1/4) threaded bushing
- 3** Straight PC terminals, 4 (.157) terminal spacing, with Ø 6 (.236) threaded bushing
- 4** Straight PC terminals, 4 (.157) terminal spacing or right angle terminals, with Ø 6,35 (1/4) threaded bushing
- 5** Solder lug terminals, with Ø 6 (.236) threaded bushing.
- 6** Solder lug terminals, with Ø 6,35 (1/4) or Ø 11,9 (15/32) threaded bushing.
- 7** Solder lug terminals, with Ø 6,35 (1/4) flatted bushing.
- 9** Straight PC or quick-connect terminals, with Ø 6,35 (1/4) flatted bushing, 4,70 (.185) terminal spacing.

Electrical functions

- 6 ON - ON
- 9 ON OFF ON
- 7 MOM OFF MOM
- 8 ON OFF MOM
- 2 ON - MOM

- 4 ON ON ON
- ON ON MOM ▲
- MOM ON MOM ▲

Function 4

Must not have blank in "connections" box.
 ▲ Must not have blank in "momentary" box.

Connections for function 4

- TH** Standard
 - CT** Reversed
- See wiring diagrams end of catalogue.
 . For functions 4, 4-1R, 4-2R (leave blank for all other functions).

Momentary for function 4

- 1R ON ON MOM
 - 2R MOM ON MOM
- Leave blank for other functions.

ABOUT THIS SERIES

- On the following pages, you will find successively :
- model structure of switches with threaded bushing
 - model structure of switches with plain bushing
 - options in the same order as in above chart

Dimensions : first dimensions are in mm while inches are shown as bracketed numbers.



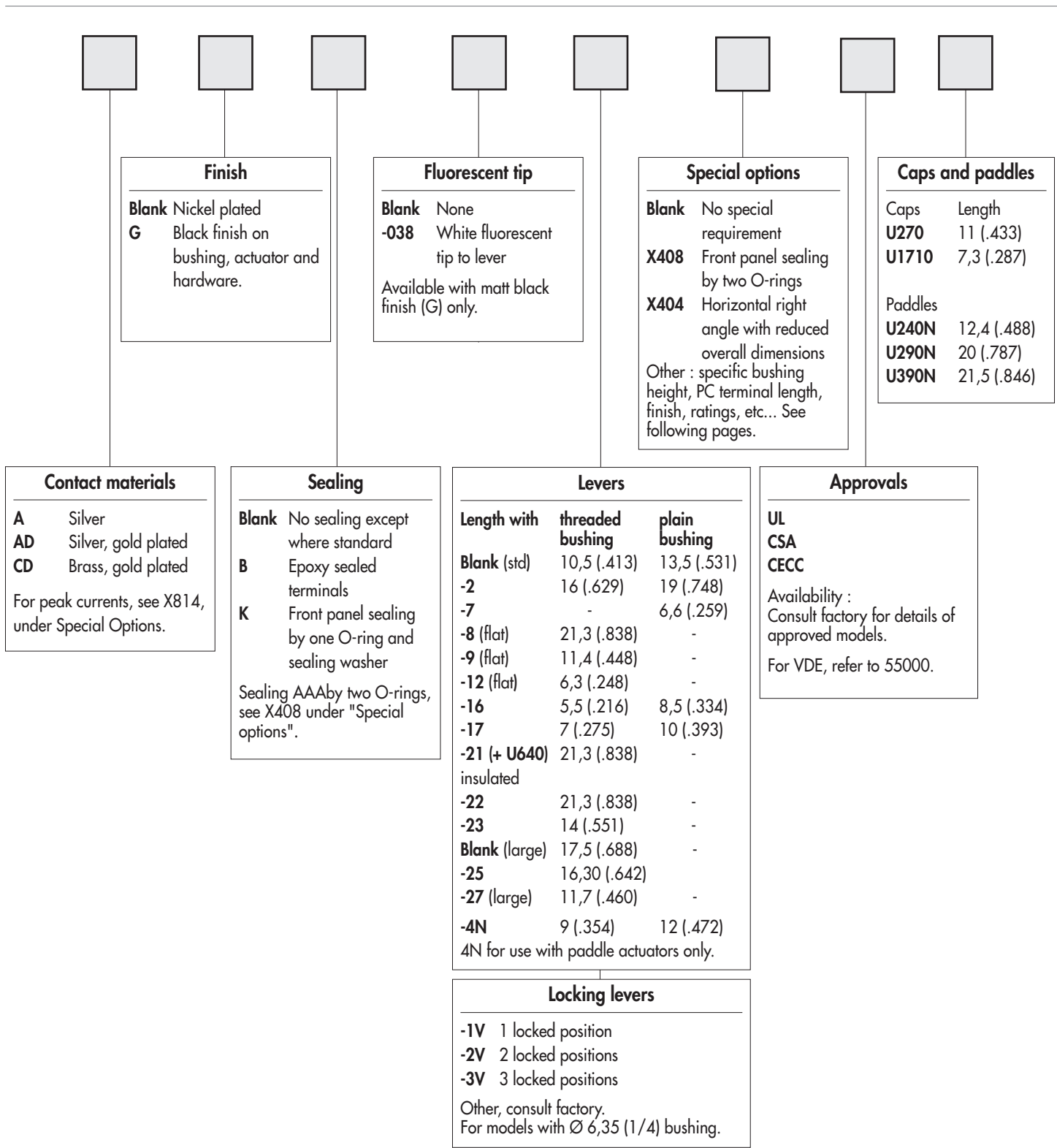
NOTICE : please note that not all combinations of above numbers are available. Refer to the following pages for further information.



5000 series

Toggle switches

Overview



Sealing boots are available. They are presented in section H.



Mounting accessories : standard hardware supplied with all models with Ø 6,35 (1/4) or Ø 6 (.236) threaded bushing : 2 hex nuts 8 mm (.314) across flats, 1 locking ring and 1 lockwasher. Standard and special hardware available are presented in section I.



Packaging unit : 25 pieces or 50 pieces depending on models.

5000 series

Toggle switches

Specifications

ELECTRICAL SPECIFICATIONS

- Current/voltage rating with resistive load :

Contact	Maximum	Minimum	Level*
Silver (A)	4A 30VDC	50mA 10VDC	III and IV
Silver, gold plated (AD)	4A 30VDC Gold plating withstands up to 100mA 30VDC	10mA 50mV 10µA 5V	I to IV
Brass, gold plated (CD)	0,4 VA at 20VAC or DC	10mA 50mV 10µA 5V	I and II

- For inductive, lamp or capacitive load, consult factory. * For details, see Technical Information, end of catalogue.
- Initial contact resistance : 10 mΩ max.
- Insulation resistance : 1.000 MΩ min. at 500VDC
- Dielectric strength :
 - 1.000 Vrms 50 Hz min. between terminals
 - 1.500 Vrms 50 Hz min. between poles
 - 1.500 Vrms 50 Hz min. between terminals and frame
- Contact bounce : 2 ms max.
- Electrical life at full load :
 - 50.000 cycles for single and double pole
 - 40.000 cycles for 3 pole
 - 30.000 cycles for 4 pole
- Low level or mechanical life : 100.000 cycles

MATERIALS

- Case : diallylphthalate (DAP) or high temperature plastic material (UL94-V0)
- Actuator : brass, nickel plated
- Paddles : UL94HB polyamide
- Lever caps : vinyl
- Bushing : brass, nickel plated
- Housing : stainless steel or steel tin plated
- Contacts
 - A : silver
 - AD : silver, gold plated
 - CD : brass, gold plated
 - X814 : for peak currents, see "Special options".
- Terminal seal : epoxy

GENERAL SPECIFICATIONS

- Torque : 1,25 Nm (.922 Ft.lb) max. applied to nut
- Panel thickness : 2,5 mm (.098) with 2 nuts - 4 mm (.157) with 1 nut
- Operating temperature : -40°C to +85°C

AGENCY APPROVALS/PREFERENTIAL LIST



CECC 96201-007

3A 250VAC, 6A 125VAC

For VDE, refer to 55000 series.

NATO

Availability : consult factory for details of approved models.

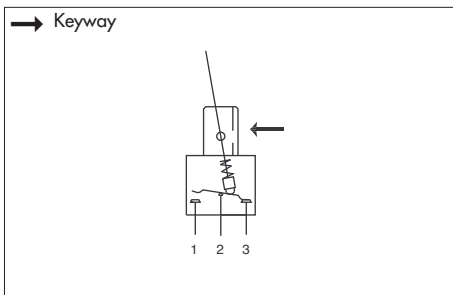
Marking : to order switches marked UL, CSA or CECC, complete appropriate box of ordering format. The preferential list does not appear on the switches.



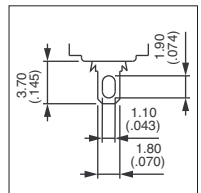
5000 series

Toggle switches - solder lug terminals

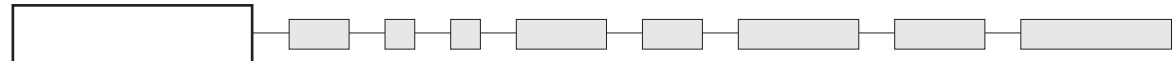
Threaded bushing $\varnothing 6,35 (1/4)$: 5600



- 1, 2, 3 and 4 pole configurations



MODEL STRUCTURE



Shown with standard lever

Single pole

III	II	I
2-3		1-2
ON	-	ON
5636		5637
5639	ON OFF	5638
5637	MOM OFF MOM	5632
5638	ON OFF MOM	
5632	ON - MOM	

→ Keyway

Double pole

III	II	I
2-3		1-2
5-6		4-5
ON	-	ON
5646		5647
5649	ON OFF	5648
5647	MOM OFF MOM	5642
5648	ON OFF MOM	5644*
5642	ON - MOM	5644 1R*
5644*	ON ON ON	5644 2R*
5644 1R*	ON ON MOM	
5644 2R*	MOM ON MOM	

* Function 4 : SP in DP case - specify CT or TH connections, see end of catalogue.

→ Keyway

Three pole

III	II	I
2-3		1-2
5-6		4-5
8-9		7-8
ON	-	ON
5656		5657
5659	ON OFF	5658
5657	MOM OFF MOM	5652
5658	ON OFF MOM	
5652	ON - MOM	

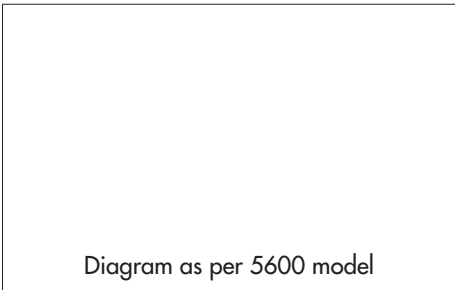
→ Keyway



5000 series

Toggle switches - solder lug terminals

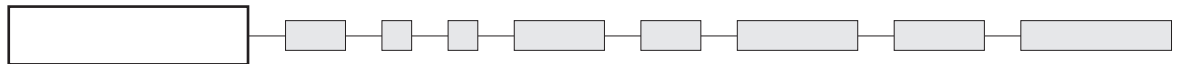
A



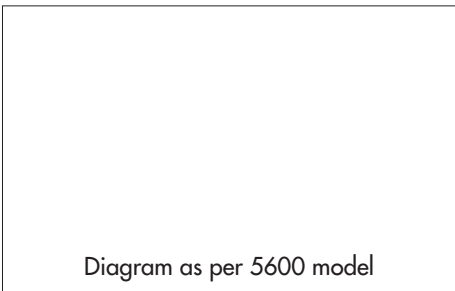
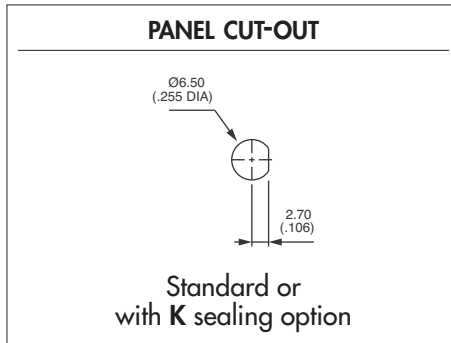
5700 models

- Flatted bushing \varnothing 6,35 mm (1/4)
- 1, 2, 3 and 4 pole configurations

MODEL STRUCTURE



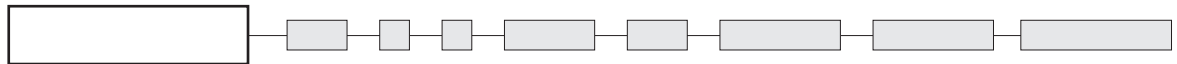
For model structure numbers, refer to 5600 models and replace 6 with 7.



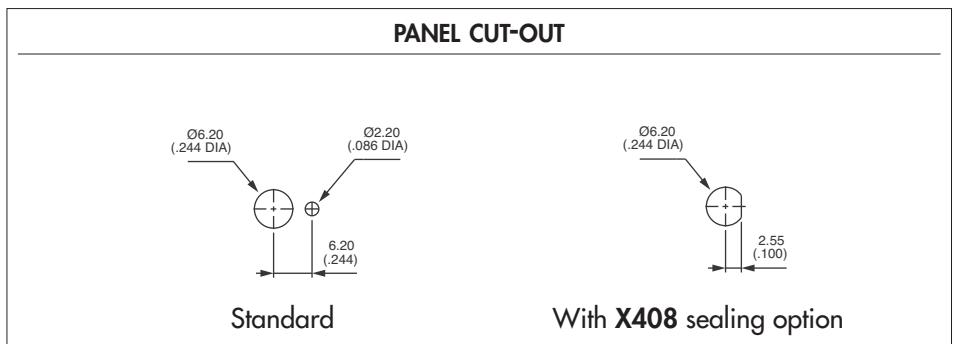
5500 models

- Threaded bushing \varnothing 6 mm x 0.75 SI (.236 x 0.75 IS)
- 1, 2, 3 and 4 pole configurations

MODEL STRUCTURE



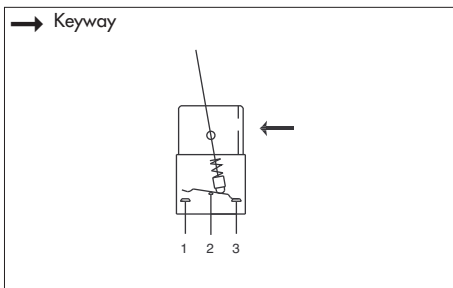
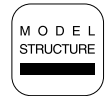
For model structure numbers, refer to 5600 models and replace 6 with 5.



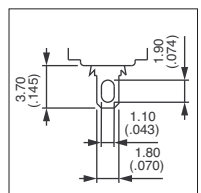
5000 series

Toggle switches - solder lug terminals

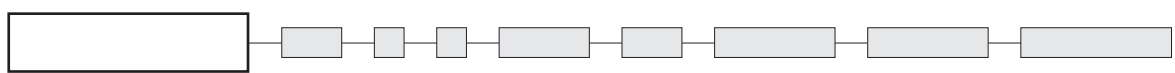
Threaded bushing $\varnothing 11,9$ (15/32) : 5600M



- 1, 2, 3 and 4 pole configurations
- Supplied with 2 hex nuts and 1 locking ring
- Panel thickness up to 6 mm (.236)



MODEL STRUCTURE



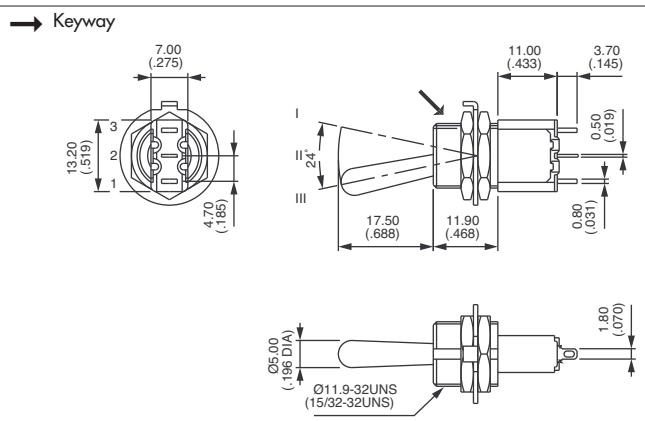
Shown with standard lever

Single pole



- 5636M
- 5639M
- 5637M
- 5638M
- 5632M

III	II	I
2-3		1-2
ON	-	ON
ON	OFF	ON
MOM	OFF	MOM
ON	OFF	MOM
ON	-	MOM

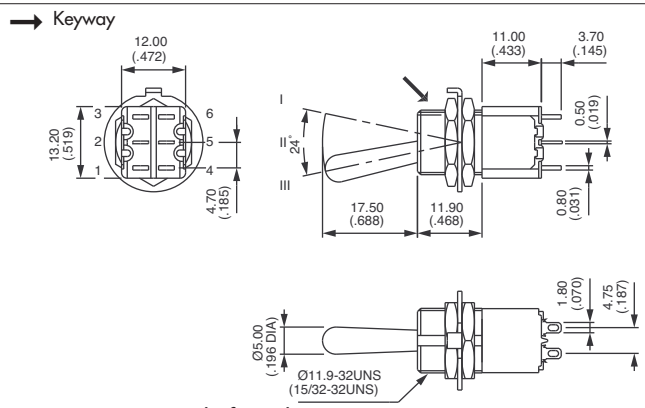


Double pole



- 5646M
- 5649M
- 5647M
- 5648M
- 5642M
- 5644M*
- 5644M 1R*
- 5644M 2R*

III	II	I
2-3		1-2
5-6		4-5
ON	-	ON
ON	OFF	ON
MOM	OFF	MOM
ON	OFF	MOM
ON	-	MOM
ON	ON	ON
ON	ON	MOM
MOM	ON	MOM



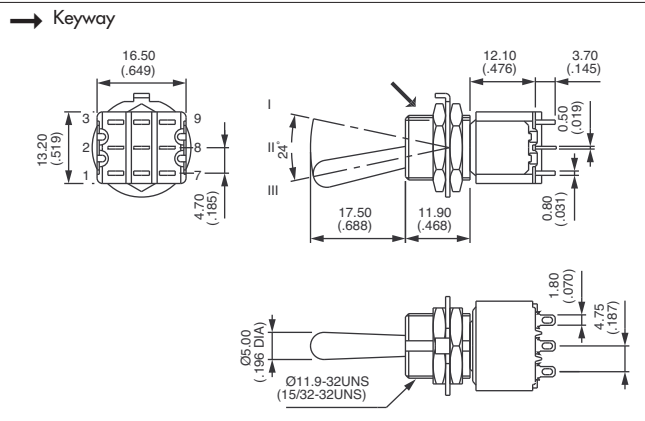
* Function 4 : SP in DP case - specify CT or TH connections, see end of catalogue.

Three pole



- 5656M
- 5659M
- 5657M
- 5658M
- 5652M

III	II	I
2-3		1-2
5-6		4-5
8-9		7-8
ON	-	ON
ON	OFF	ON
MOM	OFF	MOM
ON	OFF	MOM
ON	-	MOM





5000 series

Toggle switches - solder lug terminals

Threaded bushing Ø 11,9 (15/32) : 5600M

Four pole

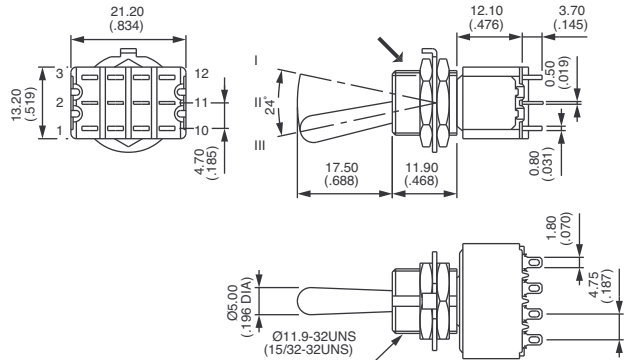


- 5666M
- 5669M
- 5667M
- 5668M
- 5662M
- 5664M*
- 5664M 1R*
- 5664M 2R*

III	II	I
2-3		1-2
5-6		4-5
8-9		7-8
11-12		10-11

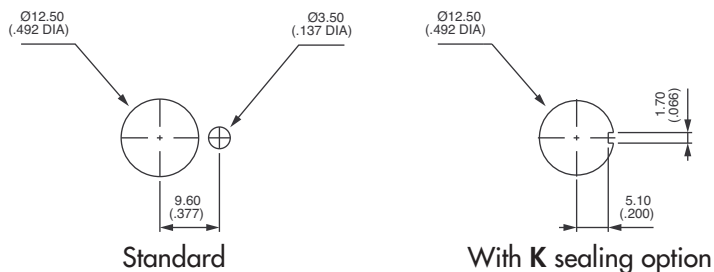
ON	-	ON
ON	OFF	ON
MOM	OFF	MOM
ON	OFF	MOM
ON	-	MOM
ON	ON	ON
ON	ON	MOM
MOM	ON	MOM

→ Keyway



*Function 4 : DP in 4P case - specify CT or TH connections, see end of catalogue.

PANEL CUT-OUT

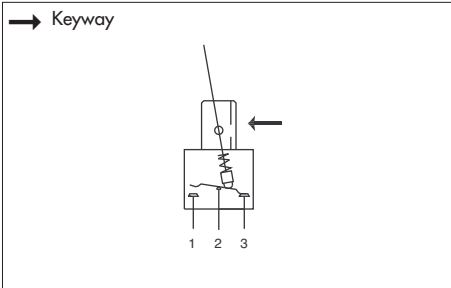
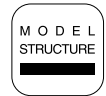


OTHER : M bushing can be combined with other types such as : 5200, Z, MIWR... Consult factory.

5000 series

Toggle switches - straight PC terminals

Threaded bushing $\varnothing 6,35$ (1/4) : 5200

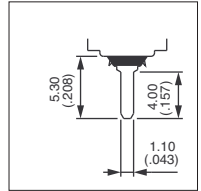


- Terminal spacing 4,7 mm (.185)
- 1, 2, 3 and 4 pole configurations
- Epoxy sealed terminals standard

For new projects, we recommend switches with support bracket (option Y) which holds the switch securely on the PCB.

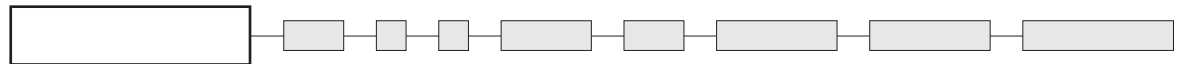
Other terminal lengths presented under "Special options".

Also available with plain bushing, see "Special options" X371



A

MODEL STRUCTURE



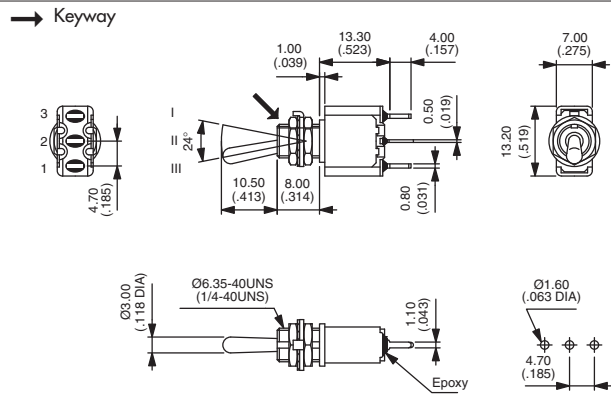
Shown with standard lever

Single pole



- 5236 B
- 5239 B
- 5237 B
- 5238 B
- 5232 B

III	II	I
2-3		1-2
ON	-	ON
ON	OFF	ON
MOM	OFF	MOM
ON	OFF	MOM
ON	-	MOM

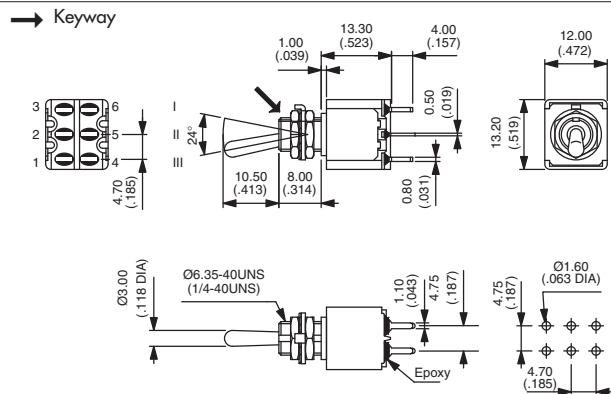


Double pole



- 5246 B
- 5249 B
- 5247 B
- 5248 B
- 5242 B
- 5244 B*
- 5244 1R B*
- 5244 2R B*

III	II	I
2-3		1-2
5-6		4-5
ON	-	ON
ON	OFF	ON
MOM	OFF	MOM
ON	OFF	MOM
ON	-	MOM
ON	ON	ON
ON	ON	MOM
MOM	ON	MOM



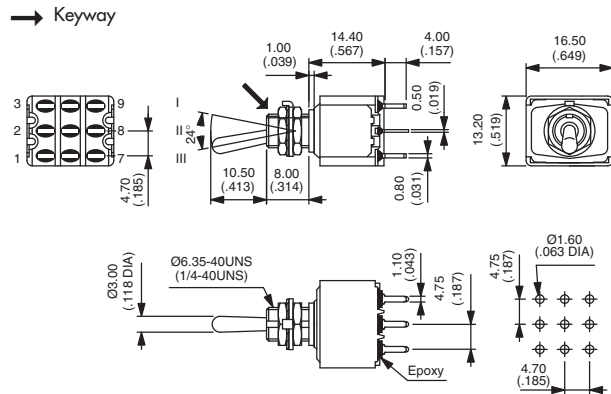
*Function 4 : SP in DP case - specify CT or TH connections, see end of catalogue.

Three pole



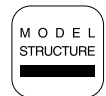
- 5256 B
- 5259 B
- 5257 B
- 5258 B
- 5252 B

III	II	I
2-3		1-2
5-6		4-5
8-9		7-8
ON	-	ON
ON	OFF	ON
MOM	OFF	MOM
ON	OFF	MOM
ON	-	MOM

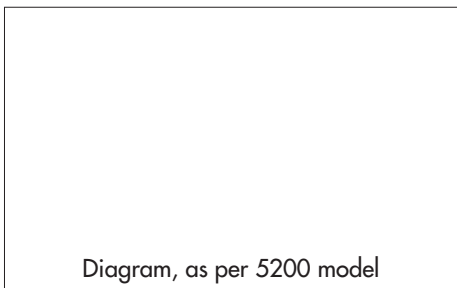


5000 series

Toggle switches - straight PC terminals



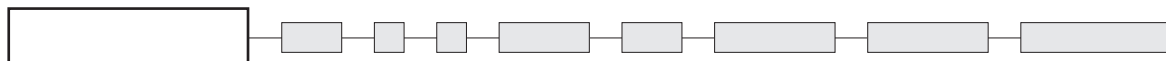
A



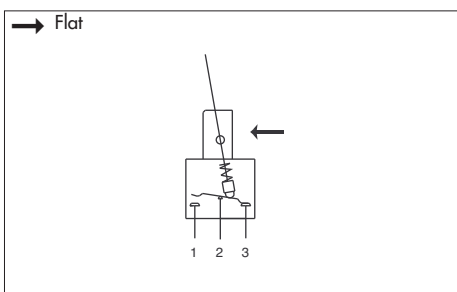
5400 models

- Threaded bushing Ø 6,35 mm (1/4)
- Terminal spacing 4 mm (.157)
- 1, 2, 3 and 4 pole configurations

MODEL STRUCTURE



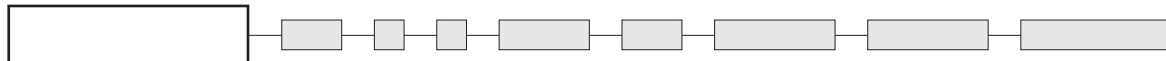
For model structure numbers, refer to 5200 models and replace 2 with 4.
Panel cut-out, see 5200.



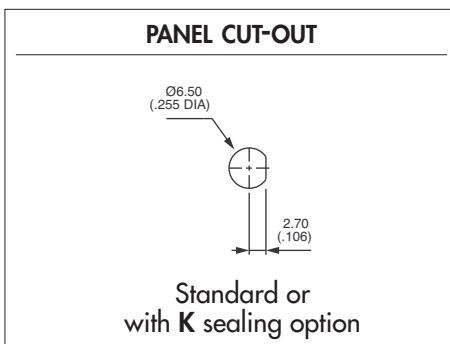
5900 models

- Flatted bushing Ø 6,35 mm (1/4)
- Terminal spacing 4,7 mm (.185)
- 1, 2, 3 and 4 pole configurations

MODEL STRUCTURE



For model structure numbers, refer to 5200 models and replace 2 with 9.

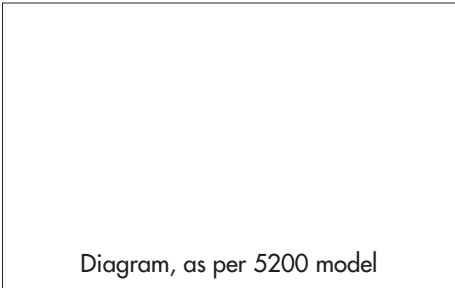




5000 series

Toggle switches - straight PC terminals

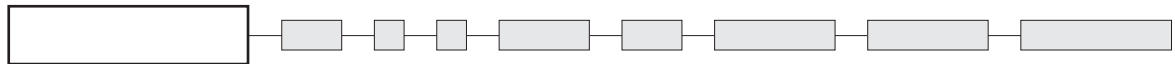
A



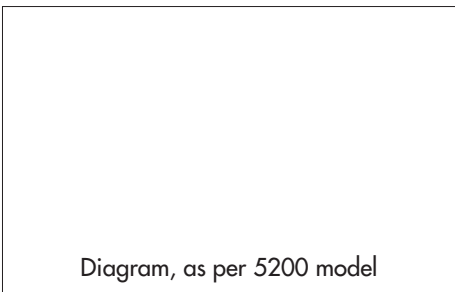
5100 models

- Threaded bushing \varnothing 6 mm x 0.75 SI (.236 x 0.75 IS)
- Terminal spacing 4,7 mm (.185)
- 1, 2, 3 and 4 pole configurations

MODEL STRUCTURE



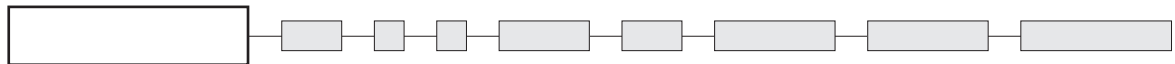
For model structure numbers, refer to **5200** models and replace 2 with 1.
Panel cut-out, see below.



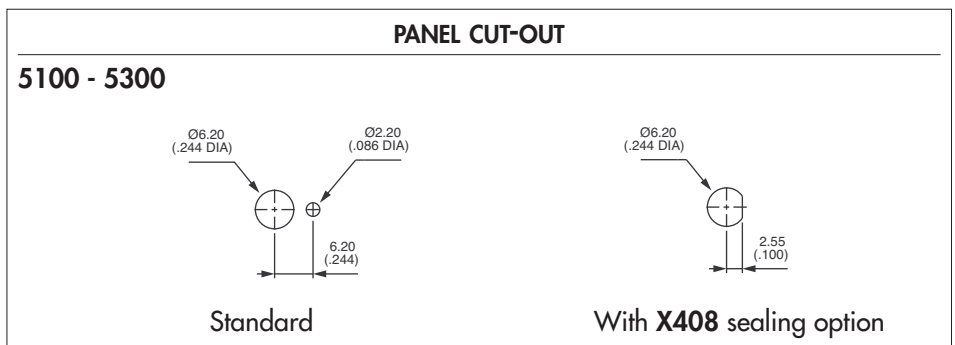
5300 models

- Threaded bushing \varnothing 6 mm x 0.75 SI (.236 x 0.75 IS)
- Terminal spacing 4 mm (.157)
- 1, 2, 3 and 4 pole configurations

MODEL STRUCTURE



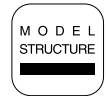
For model structure numbers, refer to **5200** models and replace 2 with 3.



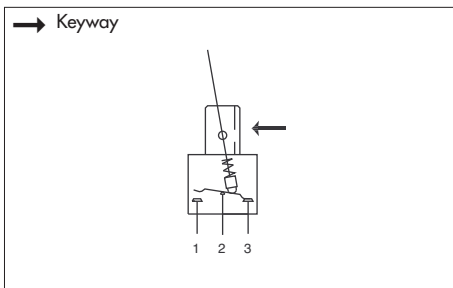
5000 series

Toggle switches - quick-connect terminals

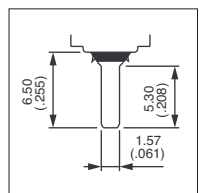
Threaded bushing $\varnothing 6,35$ (1/4) : 5200Z



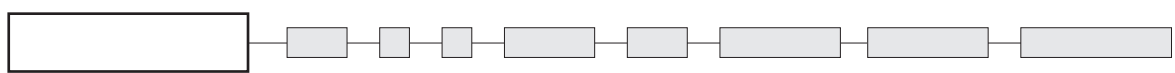
A



- Terminal spacing 4,7 mm (.185)
- Epoxy sealed terminals standard
- 1 and 2 pole configurations



MODEL STRUCTURE



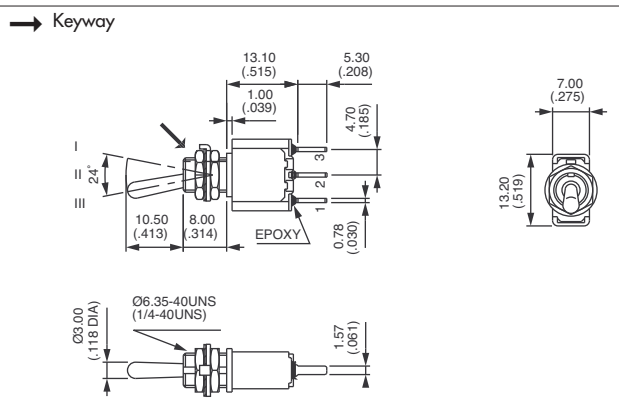
Shown with standard lever

Single pole



- 5236Z
- 5239Z
- 5237Z
- 5238Z
- 5232Z

	III 2-3	II	I 1-2
ON	ON	-	ON
ON	ON	OFF	ON
MOM	MOM	OFF	MOM
ON	ON	OFF	MOM
ON	ON	-	MOM

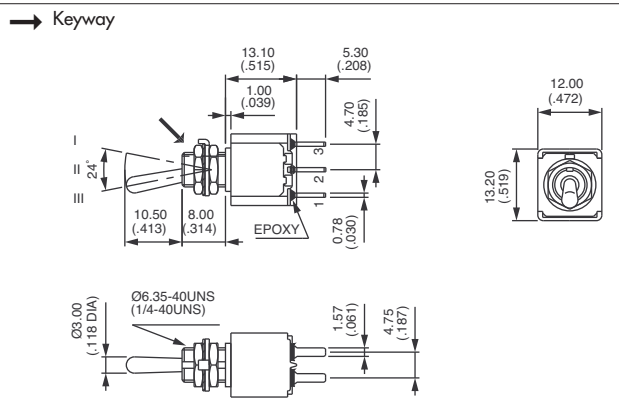


Double pole



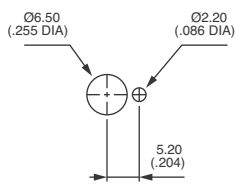
- 5246Z
- 5249Z
- 5247Z
- 5248Z
- 5242Z
- 5244Z*
- 5244Z 1R*
- 5244Z 2R*

	III 2-3 5-6	II	I 1-2 4-5
ON	ON	-	ON
ON	ON	OFF	ON
MOM	MOM	OFF	MOM
ON	ON	OFF	MOM
ON	ON	-	MOM
ON	ON	ON	ON
ON	ON	ON	MOM
MOM	MOM	ON	MOM

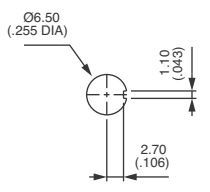


*Function 4 : SP in DP case - specify CT or TH connections, see end of catalogue.

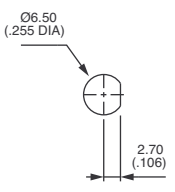
PANEL CUT-OUT



Standard



With K sealing option



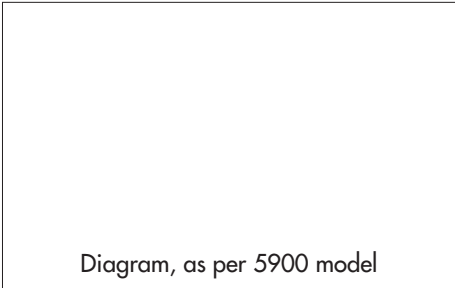
With X408 sealing option



5000 series

Toggle switches - quick-connect terminals

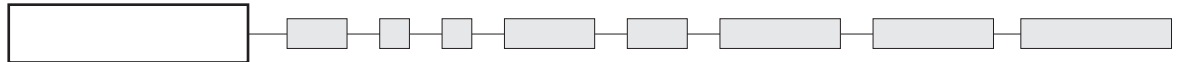
A



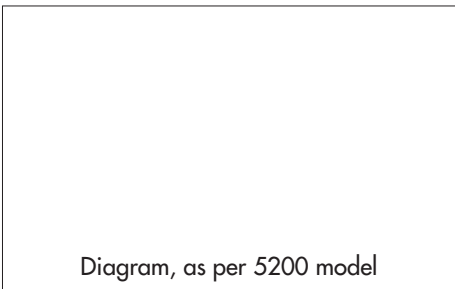
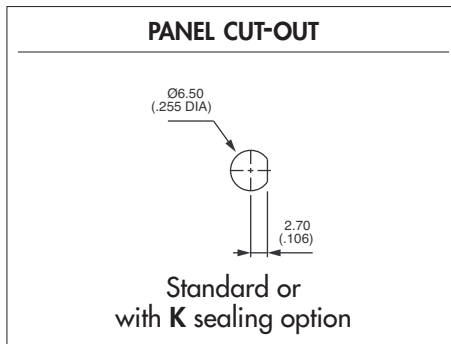
5900Z models

- Flatted bushing \varnothing 6,35 mm (1/4)
- Terminal spacing 4,7 mm (.185)
- Epoxy sealed terminals standard
- 1 and 2 pole configurations

MODEL STRUCTURE



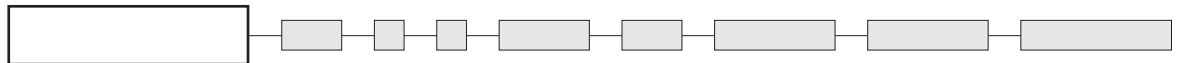
For model structure numbers, refer to 5200Z models and replace 2 with 9.



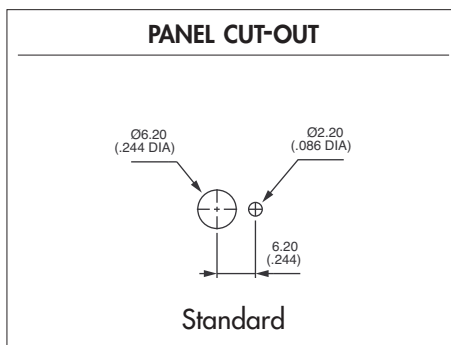
5100Z models

- Threaded bushing \varnothing 6 mm x 0.75 SI (.236 x 0.75 IS)
- Terminal spacing 4,7 mm (.185)
- Epoxy sealed terminals standard
- 1 and 2 pole configurations

MODEL STRUCTURE



For model structure numbers, refer to 5200Z models and replace 2 with 1.

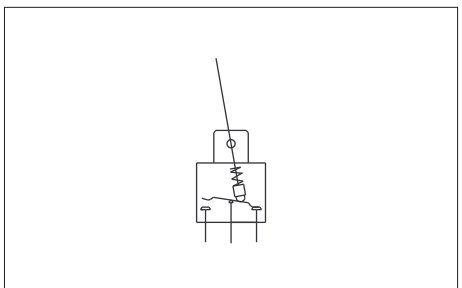




5000 series

Toggle switches - plain bushing

Right angle terminals - horizontal : 5200W

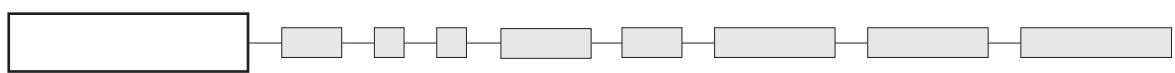


- Terminal spacing 4,7 mm (.185)
- 1, 2 and 3 pole configurations

Special switch **5200WX404** with reduced overall dimensions is presented under "Special options".

A

MODEL STRUCTURE



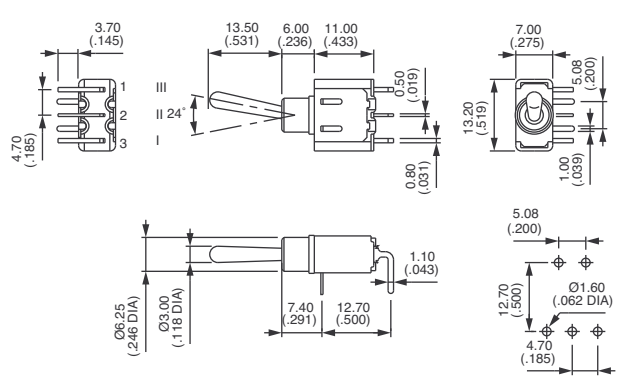
Shown with standard lever

Single pole



- 5236W
- 5239W
- 5237W
- 5238W
- 5232W

III	II	I
2-3		1-2
ON	-	ON
ON	OFF	ON
MOM	OFF	MOM
ON	OFF	MOM
ON	-	MOM

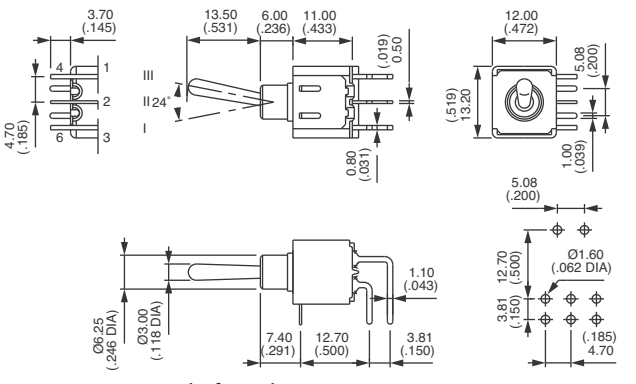


Double pole



- 5246W
- 5249W
- 5247W
- 5248W
- 5242W
- 5244W*
- 5244W 1R*
- 5244W 2R*

III	II	I
2-3		1-2
5-6		4-5
ON	-	ON
ON	OFF	ON
MOM	OFF	MOM
ON	OFF	MOM
ON	-	MOM
ON	ON	ON
ON	ON	MOM
MOM	ON	MOM



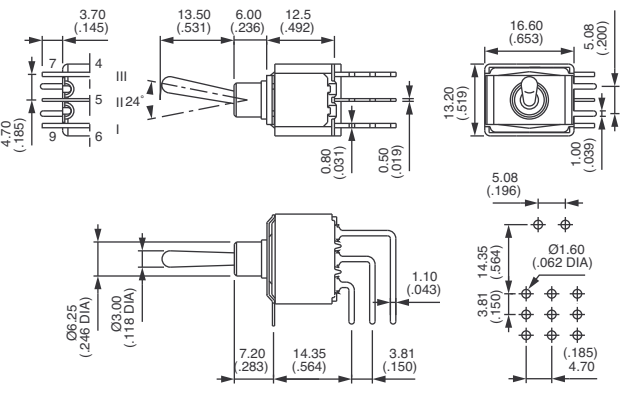
*Function 4 : SP in DP case - specify CT or TH connections, see end of catalogue.

Three pole



- 5256W
- 5259W
- 5257W
- 5258W
- 5252W

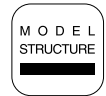
III	II	I
2-3		1-2
5-6		4-5
8-9		7-8
ON	-	ON
ON	OFF	ON
MOM	OFF	MOM
ON	OFF	MOM
ON	-	MOM



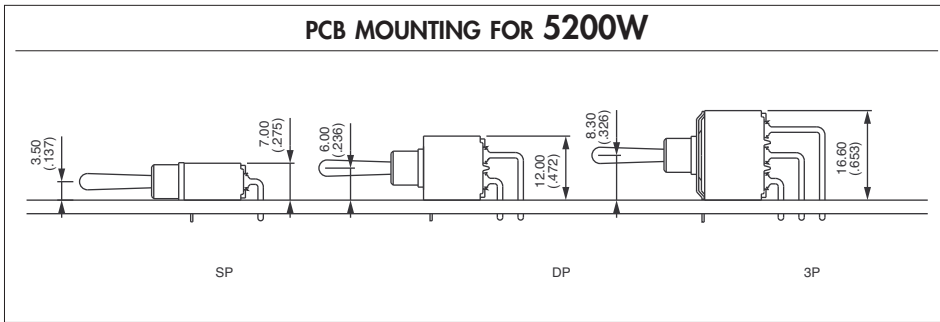
5000 series

Toggle switches - plain bushing

Right angle terminals - horizontal : 5400W



PCB MOUNTING FOR 5200W



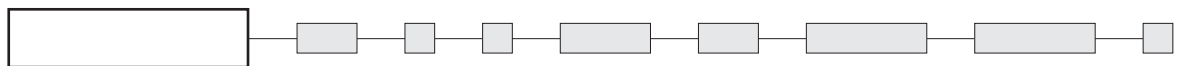
A

5400W models

- Terminal spacing 4 mm (.157)
- 1 and 2 pole configurations

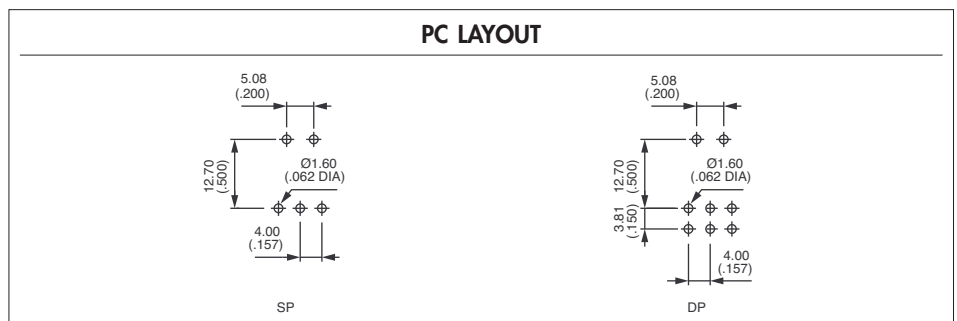
Diagram, as per 5200W model

MODEL STRUCTURE



For model structure numbers, refer to 5200W single and double pole and replace 2 with 4.

PC LAYOUT

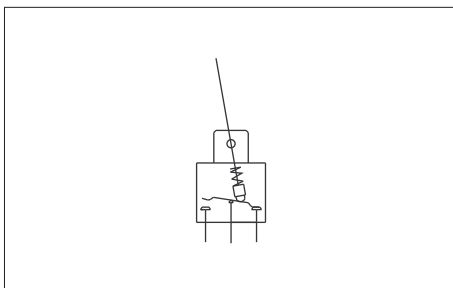




5000 series

Toggle switches - plain bushing

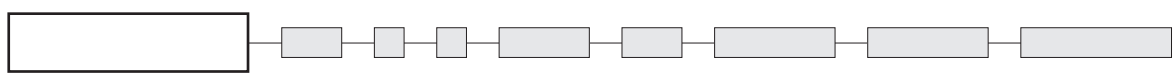
Right angle terminals - vertical : 5200WW



- Pin spacing 3,81 mm (.150)
- 1, 2, 3 and 4 pole configurations

A

MODEL STRUCTURE



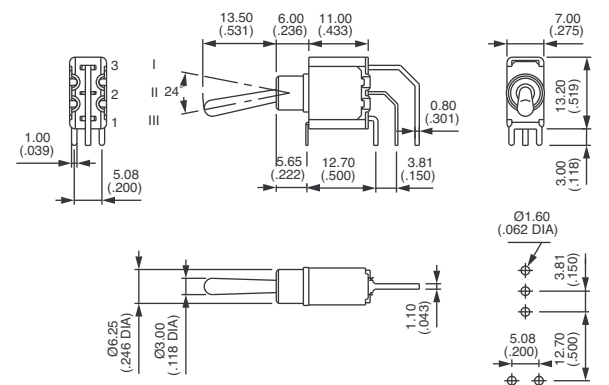
Shown with standard lever

Single pole



- 5236WW
- 5239WW
- 5237WW
- 5238WW**
- 5232WW**

III	II	I
2-3		1-2
ON	-	ON
ON	OFF	ON
MOM	OFF	MOM
ON	OFF	MOM
ON	-	MOM

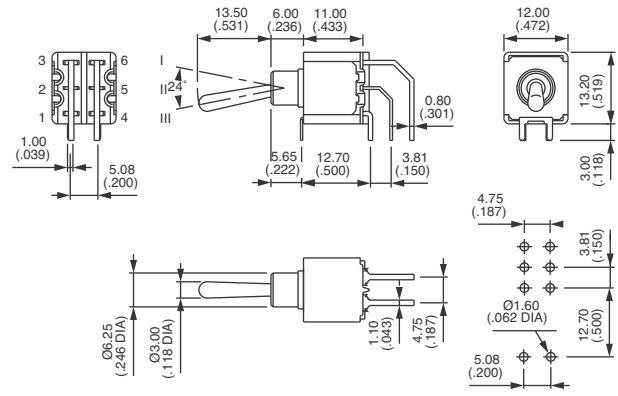


Double pole



- 5246WW
- 5249WW
- 5247WW
- 5248WW**
- 5242WW**
- 5244WW*
- 5244WW 1R*
- 5244WW 2R*

III	II	I
2-3		1-2
5-6		4-5
ON	-	ON
ON	OFF	ON
MOM	OFF	MOM
ON	OFF	MOM
ON	-	MOM
ON	ON	ON
ON	ON	MOM
MOM	ON	MOM

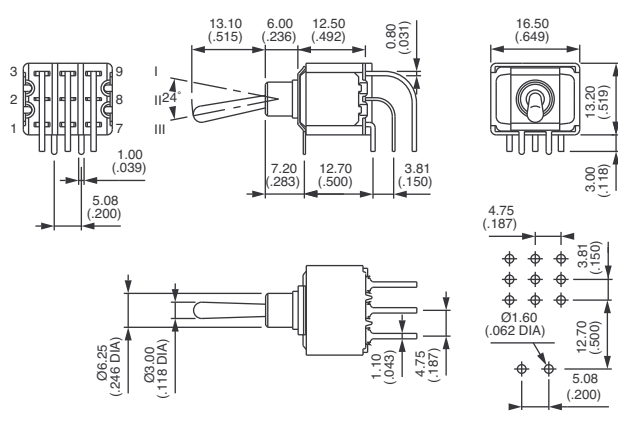


Three pole



- 5256WW
- 5259WW
- 5257WW
- 5258WW**
- 5252WW**

III	II	I
2-3		1-2
5-6		4-5
8-9		7-8
ON	-	ON
ON	OFF	ON
MOM	OFF	MOM
ON	OFF	MOM
ON	-	MOM

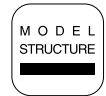


* and ** : see notes next page.

5000 series

Toggle switches - plain bushing

Right angle terminals - vertical : 5200WW - 5400WW



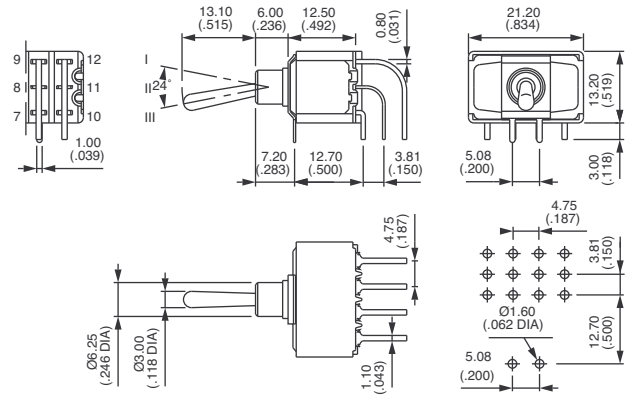
Four pole



- 5266WW
- 5269WW
- 5267WW
- 5268WW**
- 5262WW**
- 5264WW*
- 5264WW 1R*
- 5264WW 2R*

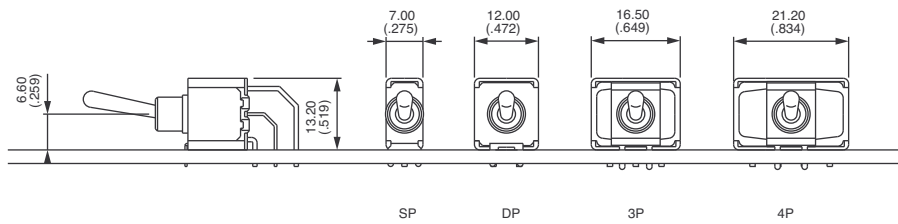
III	II	I
2-3		1-2
5-6		4-5
8-9		7-8
11-12		10-11

ON	-	ON
ON	OFF	ON
MOM	OFF	MOM
ON	OFF	MOM
ON	-	MOM
ON	ON	ON
ON	ON	MOM
MOM	ON	MOM



* Function 4 : SP in DP case, DP in 4P case - specify CT or TH connections, see end of catalogue.
 ** Functions 2 and 8 : reversed connection available, consult factory.

PCB MOUNTING

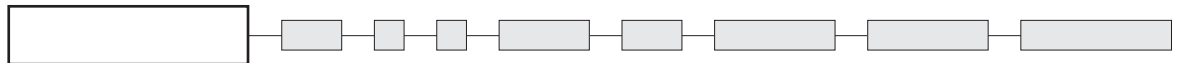


5400WW models

- Pin spacing 2,54 mm (.100)
- 1, 2, 3 and 4 pole configurations

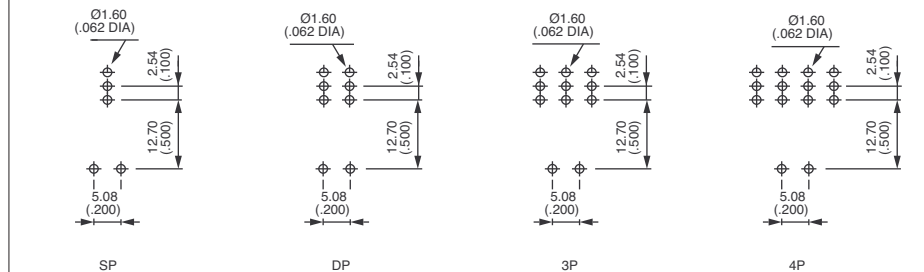
Diagram as per 5200WW model

MODEL STRUCTURE



For model structure numbers, refer to 5200WW models and replace 2 with 4.

PC LAYOUT

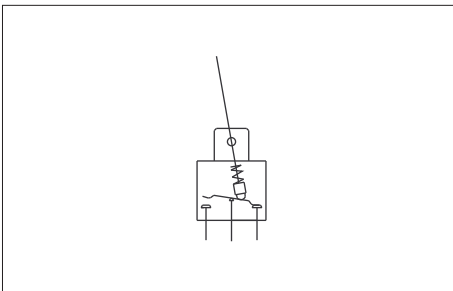




5000 series

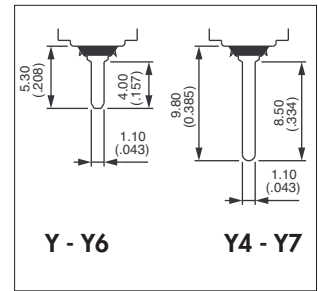
Toggle switches - plain bushing

Straight PC terminals - bracket mounting : 5200Y



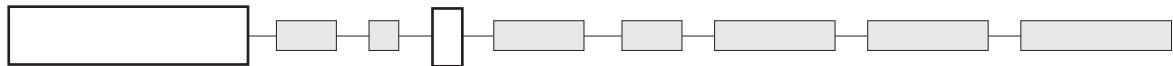
Brackets reduce mechanical stress on solder joints and increase resistance to vibrations.
Bracket material : tin plated steel.

- Epoxy sealed terminals standard
- 1 and 2 pole configurations



A

MODEL
STRUCTURE



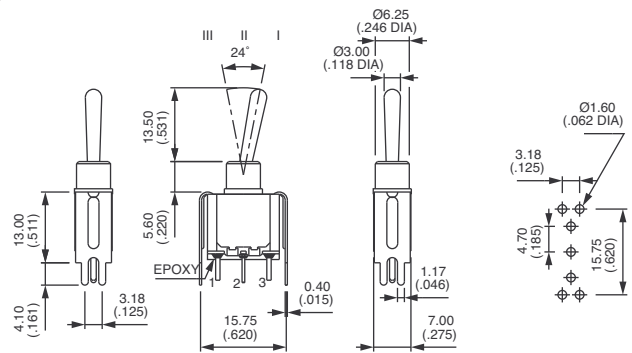
Shown with standard lever

Short bracket - width 15,75 (.620) - single pole : 5230Y



- 5236Y B
- 5239Y B
- 5237Y B
- 5238Y B
- 5232Y B

III	II	I
2-3		1-2
ON	-	ON
ON	OFF	ON
MOM	OFF	MOM
ON	OFF	MOM
ON	-	MOM

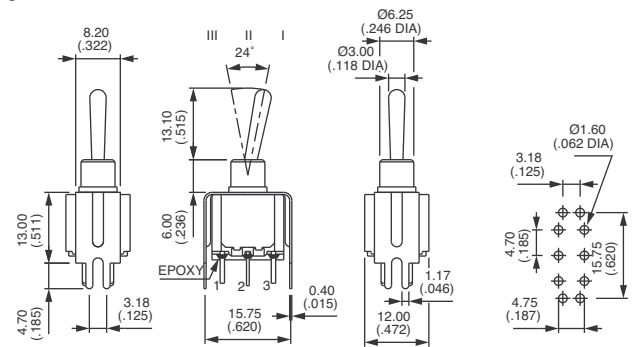


Short bracket - width 15,75 (.620) - double pole : 5240Y



- 5246Y B
- 5249Y B
- 5247Y B
- 5248Y B
- 5242Y B
- 5244Y B*
- 5244Y 1R B*
- 5244Y 2R B*

III	II	I
2-3		1-2
5-6		4-5
ON	-	ON
ON	OFF	ON
MOM	OFF	MOM
ON	OFF	MOM
ON	-	MOM
ON	ON	ON
ON	ON	MOM
MOM	ON	MOM

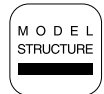


* Function 4 : SP in DP case - specify CT or TH connections, see end of catalogue.

5000 series

Toggle switches - plain bushing

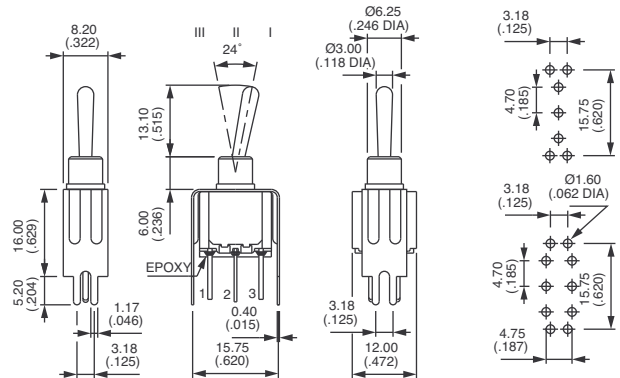
Straight PC terminals - bracket mounting : 5200Y4 - Y6 - Y7



Tall bracket - width 15,75 (.620) : 5200Y4



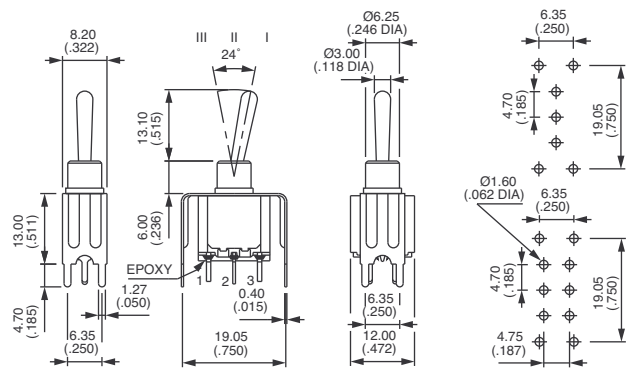
Single pole	Double pole	III	II	I
5236Y4 B	5246Y4 B	2-3		1-2
5239Y4 B	5249Y4 B	5-6		4-5
5237Y4 B	5247Y4 B		ON	OFF
5238Y4 B	5248Y4 B		MOM	OFF
5232Y4 B	5242Y4 B		ON	-
	5244Y4 B*		ON	ON
	5244Y4 1R B*		ON	ON
	5244Y4 2R B*		MOM	ON



Short bracket - width 19,05 (.750) : 5200Y6



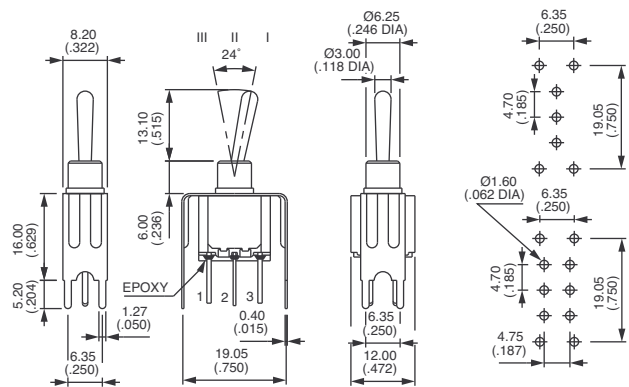
Single pole	Double pole	III	II	I
5236Y6 B	5246Y6 B	2-3		1-2
5239Y6 B	5249Y6 B	5-6		4-5
5237Y6 B	5247Y6 B		ON	OFF
5238Y6 B	5248Y6 B		MOM	OFF
5232Y6 B	5242Y6 B		ON	-
	5244Y6 B*		ON	ON
	5244Y6 1R B*		ON	ON
	5244Y6 2R B*		MOM	ON



Tall bracket - width 19,05 (.750) : 5200Y7



Single pole	Double pole	III	II	I
5236Y7 B	5246Y7 B	2-3		1-2
5239Y7 B	5249Y7 B	5-6		4-5
5237Y7 B	5247Y7 B		ON	OFF
5238Y7 B	5248Y7 B		MOM	OFF
5232Y7 B	5242Y7 B		ON	-
	5244Y7 B*		ON	ON
	5244Y7 1R B*		ON	ON
	5244Y7 2R B*		MOM	ON



* Function 4 : SP in DP case - specify CT or TH connections, see end of catalogue.



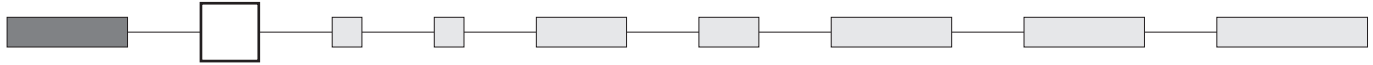
5000 series

Toggle switches

A

CONTACT MATERIALS

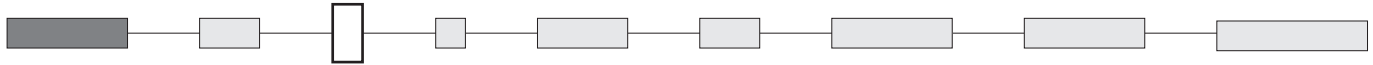
UG1410A



- A Silver
- AD Silver, gold plated
- CD Brass, gold plated

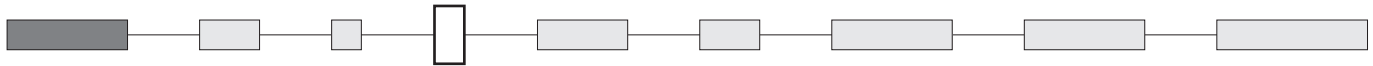
Special contacts for peak currents : see X814, under "Special Options".

FINISH



- Blank Nickel plated
- G Black finish on bushing, actuator and hardware

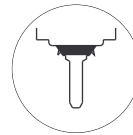
SEALING



- Blank
 - For 5000 - 5200Z and 5200MIWR models : epoxy sealed terminals standard
 - Other models : no sealing required

B Epoxy sealed terminals

K Front panel sealing by one O-ring and sealing washer. Protects the switch against water and dust. Panel seal withstands 1 bar pressure and remains sealed even when switch is operated.



Available on models with \varnothing 6,35 (1/4) or 11,9 (15/32) threaded bushing only.
Not available with levers 8, 9, 12, 22, 23.

KB Combined sealings

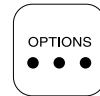
- ① O-ring
- ② Sealing washer

<p>K with \varnothing 6,35 (1/4) keyway bushing</p> <p>Includes washer U360</p>	<p>K with \varnothing 6,35 (1/4) flatted bushing</p> <p>Includes washer U5141</p>	<p>K with \varnothing 11,9 (15/32) keyway bushing</p> <p>Includes washer U60</p>
--	--	---

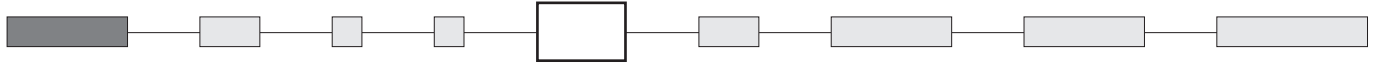
Sealing by two O-rings, see X408 under "Special options".

5000 series

Toggle switches



FLUORESCENT TIP



Blank None

Standard lever

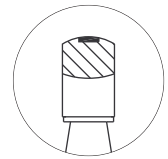
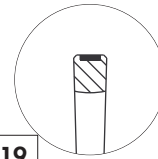
Locking lever

-038 White fluorescent tip.
Becomes luminous when submitted to ultraviolet rays.



Available with matt black finish (option G) only.

Consult factory for levers available with this option.



-19

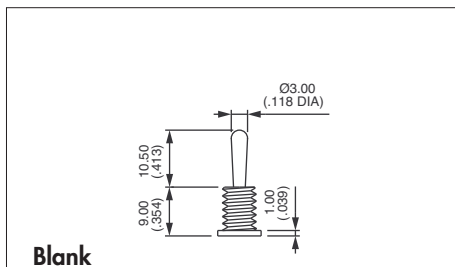
Same dimensions as standard actuator below.

ACTUATORS



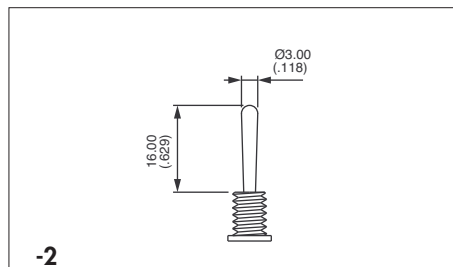
Dash compulsory before lever code.

Levers for threaded bushing models $\varnothing 6,35$ (1/4) or $\varnothing 6$ (.236)

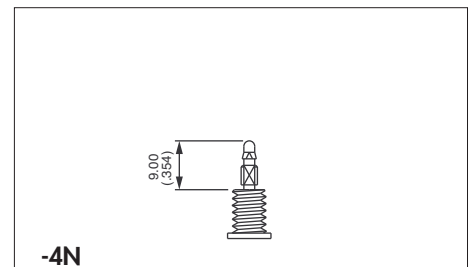


Blank

Standard

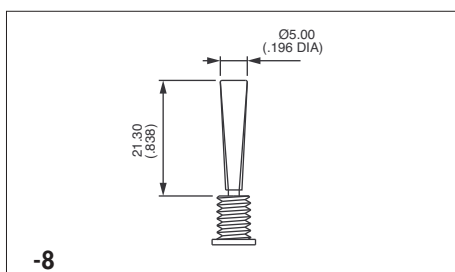


-2



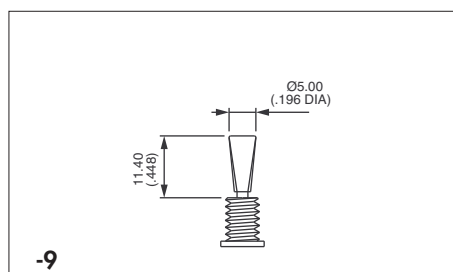
-4N

For use with paddles only



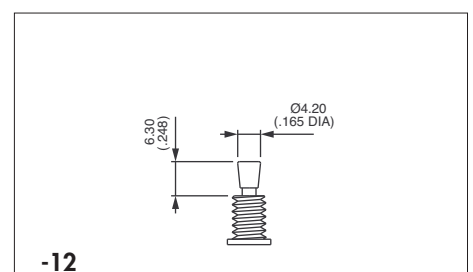
-8

Not available with sealing options K or X408



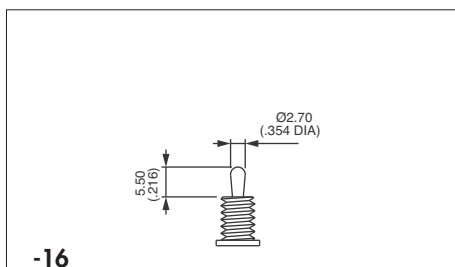
-9

Not available with sealing options K or X408

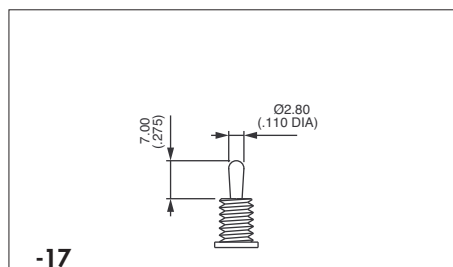


-12

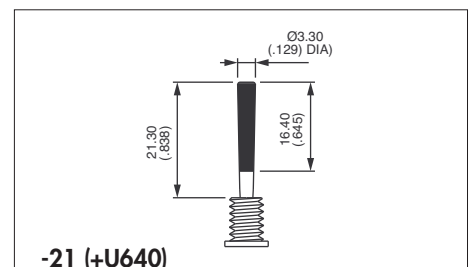
Not available with sealing options K or X408



-16



-17



-21 (+U640)

U640 to be placed in last box of ordering format. Replace 0 by colour code.

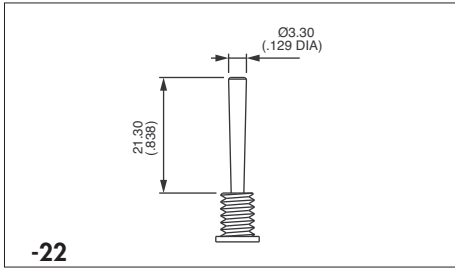


5000 series

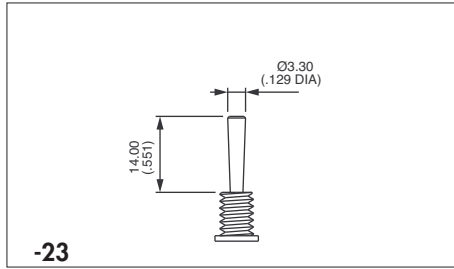
Toggle switches

A

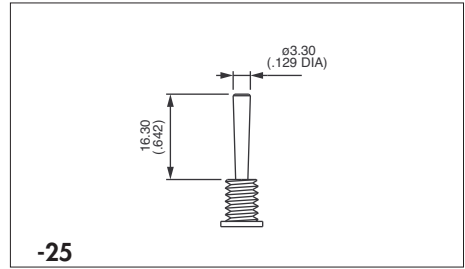
ACTUATORS (continued)



-22
Not available with sealing options K or X408

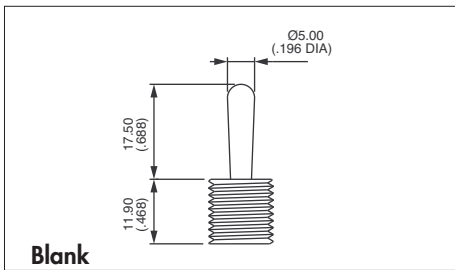


-23
Not available with sealing options K or X408

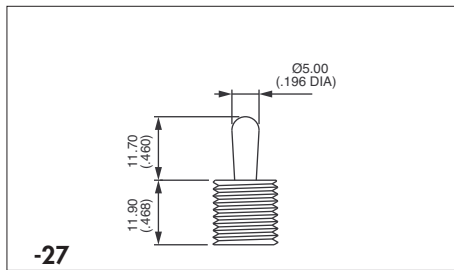


-25
Not available with sealing options K or X408

Levers for threaded bushing models Ø 11,9 (15/32) : 5600M

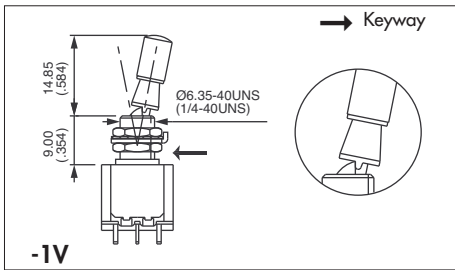


Blank
Standard

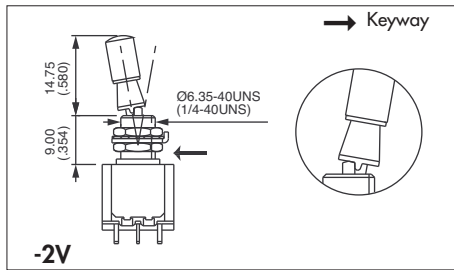


-27

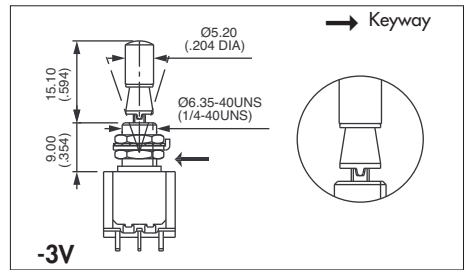
Locking levers



-1V
1 locked position (function 6)



-2V
2 locked positions (function 6)



-3V
3 locked positions (functions 9 and 4)

Consult factory for other locking lever options.



Available with Ø 6,35 mm (1/4) threaded bushing models only.
For plain bushing models, see X386 or X916 under "Special options" on the following pages.

5000 series

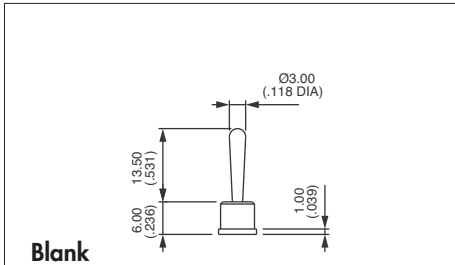
Toggle switches



ACTUATORS (continued)

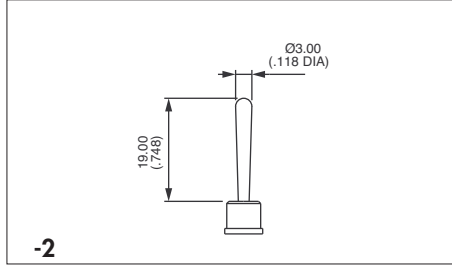
For plain bushing models : W - WW and Y

A

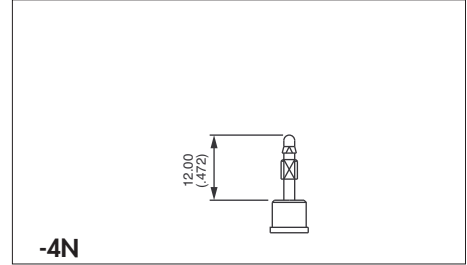


Blank

Standard

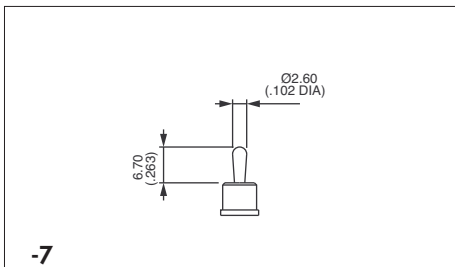


-2

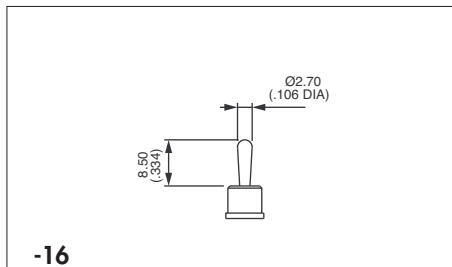


-4N

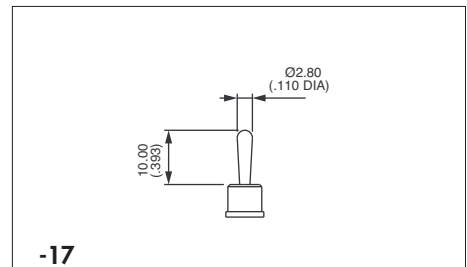
For use with paddles only



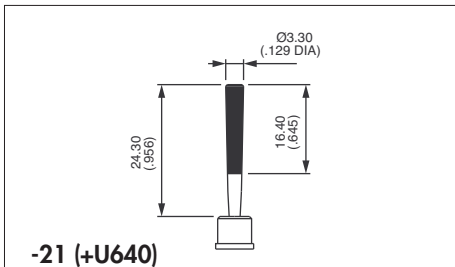
-7



-16



-17



-21 (+U640)

U640 to be placed in last box of ordering format. Replace 0 by colour code.

Actuator colours	
Replace "0" by number	
1	blue
1/4	dark blue
2	black
3	green
4	grey
5	yellow
6	red
7	ivory
7/1	white
9	orange



LEVER LENGTH

With bracket or mounting plate lever length will be reduced by 0,4 mm (.015) as a rule. Please refer to switch technical drawings in "Model Structure" pages for details.

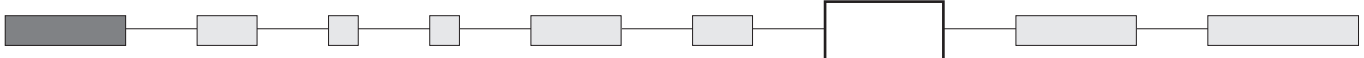
5000 series

Toggle switches



A

SPECIAL OPTIONS

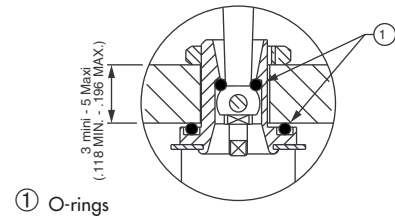


Blank No special requirement

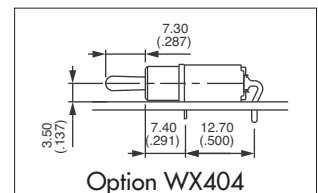
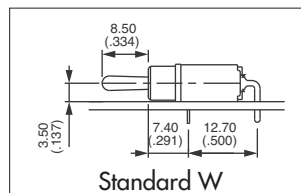
X408 Front panel sealing by two O-rings. Flatted bushing for precise orientation. Protects the switch against water and dust. Panel seal withstands 1 bar pressure and remains sealed even when switch is operated. Includes sealed terminals (option B).



Available only on models with threaded bushing except 5600M. Not available with levers 8, 9, 12, 22, 23.



X404 Horizontal right angle with reduced overall dimensions (shown with lever -16)



		III	II	I		
		2-3		1-2		
		5-6		4-5		
	Single pole	ON	-	ON		
	Double pole	ON	OFF	ON		
	5236W X404	5246W X404	MOM	OFF		MOM
	5237W X404	5247W X404	ON	OFF		MOM
5238W X404	5248W X404	ON	-	MOM		
5232W X404	5242W X404	ON	ON	ON		
	5244W X404*	ON	ON	MOM		
	5244W1R X404*	ON	ON	MOM		
	5244W2R X404*	MOM	ON	MOM		

* Function 4 : SP in DP case - specify CT or TH connections, see end of catalogue.

Levers lengths for WX404 (also available with X445 option)

<p>-13</p>	<p>-2</p>	<p>-4N (for paddles)</p>	<p>-8</p>	<p>-9</p>	<p>-12</p>
<p>-16</p>	<p>-17</p>	<p>-21 (+U640)*</p>	<p>-22</p>	<p>-23</p>	<p>* U640 to be placed in last box of ordering format. Replace 0 by colour code.</p>

Note : levers -8, -9 and -12 not available with function 2 (ON-MOM)

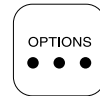
Insulating caps and paddles for X404 :

Insulating cap U1710 available with lever style 16.

Paddles U240N, U290N and U390N available with lever style 4N. See details on next pages.

5000 series

Toggle switches

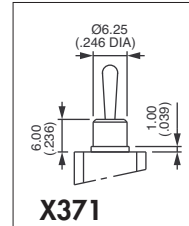


SPECIAL OPTIONS (continued)



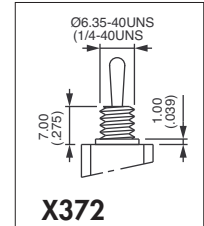
With options X372, X386, X442 and X445, the lever lengths indicated on previous pages will be modified.

X371 Plain bushing \varnothing 6,25 mm (.246) (instead of standard threaded bushing).



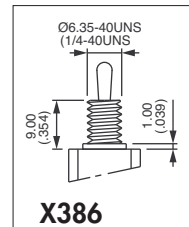
X371

X372 Threaded bushing \varnothing 6,35 (1/4). **Height 7 mm (.274).**



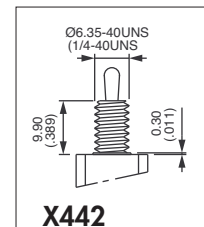
X372

X386 Threaded bushing \varnothing 6,35 mm (1/4) to replace plain bushing on models W - WW and Y.



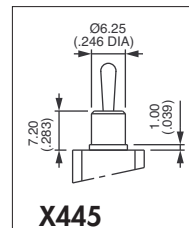
X386

X442 Threaded bushing \varnothing 6,35 mm (1/4) - **Height 9,9 mm (.389).**



X442

X445 Plain bushing. **Height 7,2 mm (.283)** - for W, WW and Y models. Available with the same levers, insulating cap and paddles as X404.



X445

X601 **Silver plated brass contacts.**
Current/voltage rating for an electrical life of 20.000 cycles : 0,5A 30VDC.
Minimum quantity : 5.000 pieces per model and shipment.

X681 **Satin chrome** actuator

X814 **Switches for peak currents**

Peak current up to 120A (1 ms) 60VDC - single/double pole

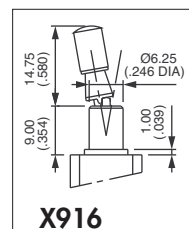


Single pole			
5636A X814	ON	-	ON
Double pole			
5646A X814	ON	-	ON

- Contacts : silver/nickel alloy (AgNi)
- Max. current/voltage rating : 2/120A (1 ms) 60VDC - 10.000 cycles
- Further specifications and dimensions : see 5600 series.
- General information on peak currents : see end of catalogue.

X902 Plain bushing \varnothing 6,25 mm (.246) - **Height 9 mm (.354)** (not available with K sealing option).

X916 Locking lever on model with plain bushing.



X916

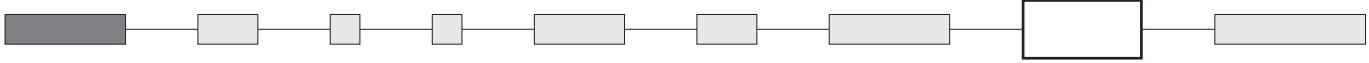


5000 series

Toggle switches

A

AGENCY APPROVALS



UL All standard models, except 5200MIWR
CSA
CECC Standard models 5600 - 5200

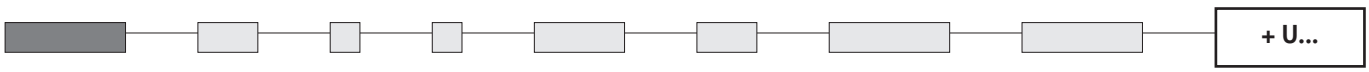
Availability : consult factory for details of approved combinations or options.

Marking : to order switches marked UL, CSA or CECC, complete above box with desired approvals, in this order & without space (ex. : ULCSACECC). Blank : no agency approval required.

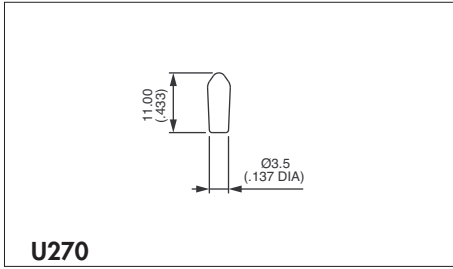
VDE (with UL & CSA) Refer to 55000 series on the following pages.

Preferential lists : see specifications.

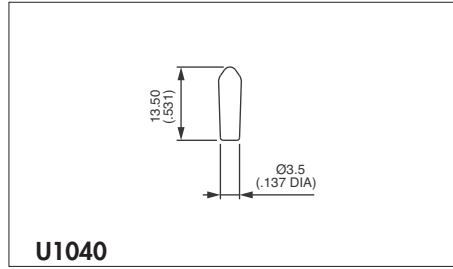
INSULATING CAPS AND PADDLES



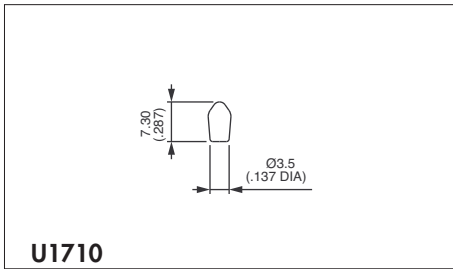
Insulating caps



U270
For standard lever & threaded bushing only



U1040
For standard lever & plain bushing only



U1710
For lever 17 and threaded bushing
For lever 7 and plain bushing

Cap colours	
Replace last "0" by number	
1	blue
1/4	dark blue
2	black
3	green
4	grey
5	yellow
6	red
7/1	white
9	orange



Insulating caps are not available in ivory colour.

5000 series

Toggle switches

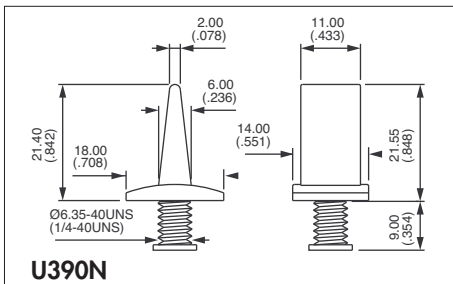
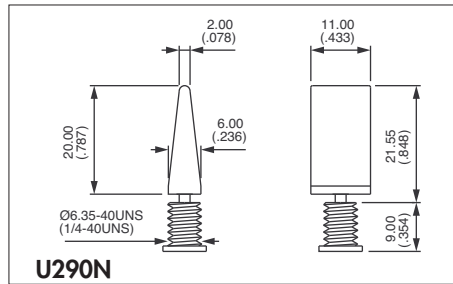
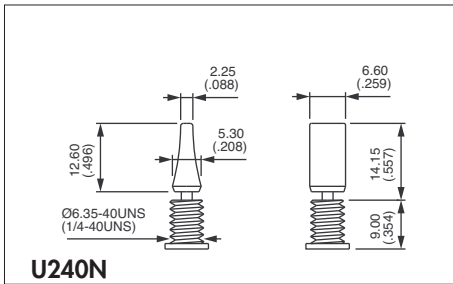


INSULATED CAPS AND PADDLES (continued)

Paddles

For use with lever 4N only. Shown with standard threaded bushing. Order separately.

A



Paddle colours	
Replace last "0" by number	
1	blue
1/4	dark blue
2	black
3	green
4	grey
5	yellow
6	red
7	ivory
7/1	white
9	orange