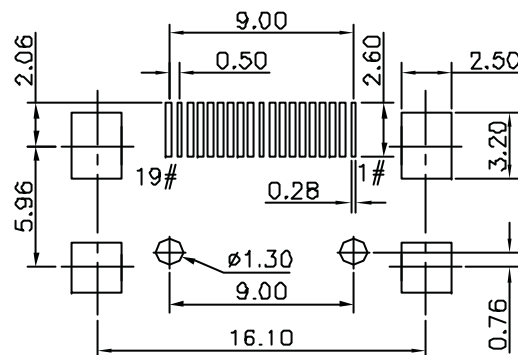
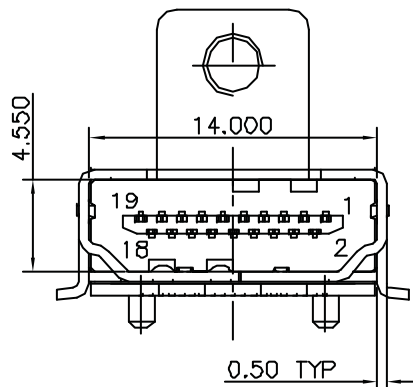


SECTION:A-A



RECOMMENDED P.C BOARD LAYOUT

**Material:**

- Insulator: Hi-Temp Plastic UL 94V-0
- Contact: Copper Alloy T=0.25MM
- Shell: Coppey Alloy T=0.50MM

**Electrical:**

- Contact Current Rating: 0.5 Amperes
- Dielectric Withstanding Voltage: 300V AC R.M.S.
- Insulation Resistance: 100MΩ Min.
- Contact Resistance: 30MΩ Max.
- Operating Temperature: -20°C ~ +85°C

Ⓜ = Assmann logo



ITEM NO.

**A-HDMI282-19F-B-E-02-05-R**

TITLE HDMI Connector w/Mounting Flange - SMT  
Female, 19 Pin, Black Insulator, 5.08MM, Contact Plating 15μ"

**ASSMANN**  
Electronics, Inc.

1840 W. Drake Drive, Suite 101 • Tempe, AZ 85283  
Toll Free: 1-877-277-6266 • Email: info@usa-assmann.com

THIS DRAWING IS UNPUBLISHED  
©Copyright 2009 by Assmann Electronic Components  
All International Rights Reserved