



Raychem

TE Internal #: 1340273001

Hook Up Wire, Spec 99M, 600V Voltage Rating, White Wire Color, 14AWG Wire Size, 2.08mm<sup>2</sup> Wire Size, Operating Temperature Range -65 – 125 °C

[View on TE.com >](#)

Wire & Cable > Hook Up Wire



Cable Type: **Spec 99M**

Voltage Rating: **600 V**

Wire Color: **White**

Insulation Material: **Radiation-Crosslinked, Modified Polyester**

Conductor Material: **Tin-Plated Copper**

## Features

### Product Type Features

Cable Style	Primary
Product Type	Wire
Product Classification	Cable - Spec 99 & 100
Cable Type	Spec 99M

### Configuration Features

Number of Conductors	1
Number of Strands	37

### Electrical Characteristics

Voltage Rating	600 V
----------------	-------

### Body Features

Wire Color	White
Insulation Material	Radiation-Crosslinked, Modified Polyester
Conductor Material	Tin-Plated Copper

### Dimensions

Overall Outside Diameter	2.35 mm[.093 in]
Wire Diameter	2.16 mm[.085 in]
Conductor Diameter	1.82 mm[.072 in]



Cable Insulation Thickness	.2 mm
Strand Size	30 AWG
Wire Size	2.08 mm <sup>2</sup>

**Usage Conditions**

Operating Temperature Range	-65 – 125 °C
-----------------------------	--------------

**Other**

Wire Source	United Kingdom
-------------	----------------

**Product Compliance**

[For compliance documentation, visit the product page on TE.com>](#)

EU RoHS Directive 2011/65/EU	Compliant
EU ELV Directive 2000/53/EC	Compliant
China RoHS 2 Directive MIIT Order No 32, 2016	No Restricted Materials Above Threshold
EU REACH Regulation (EC) No. 1907/2006	Current ECHA Candidate List: JUN 2020 (209) Candidate List Declared Against: JUN 2020 (209) Does not contain REACH SVHC
Halogen Content	Out of Scope - excluded from Halogen requirements
Solder Process Capability	Not applicable for solder process capability

**Product Compliance Disclaimer**

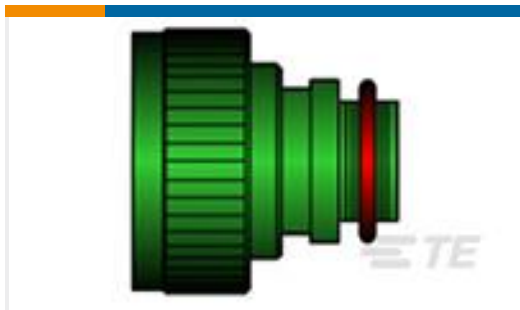
This information is provided based on reasonable inquiry of our suppliers and represents our current actual knowledge based on the information they provided. This information is subject to change. The part numbers that TE has identified as EU RoHS compliant have a maximum concentration of 0.1% by weight in homogenous materials for lead, hexavalent chromium, mercury, PBB, PBDE, DBP, BBP, DEHP, DIBP, and 0.01% for cadmium, or qualify for an exemption to these limits as defined in the Annexes of Directive 2011/65/EU (RoHS2). Finished electrical and electronic equipment products will be CE marked as required by Directive 2011/65/EU. Components may not be CE marked. Additionally, the part numbers that TE has identified as EU ELV compliant have a maximum concentration of 0.1% by weight in homogenous materials for lead, hexavalent chromium, and mercury, and 0.01% for cadmium, or qualify for an exemption to these limits as defined in the Annexes of Directive 2000/53/EC (ELV). Regarding the REACH Regulation, the information TE provides on SVHC in articles for this part number is based on the latest European Chemicals Agency (ECHA) 'Guidance on requirements for substances in articles' posted at this URL: <https://echa.europa.eu/guidance-documents/guidance-on-reach>

**Compatible Parts**

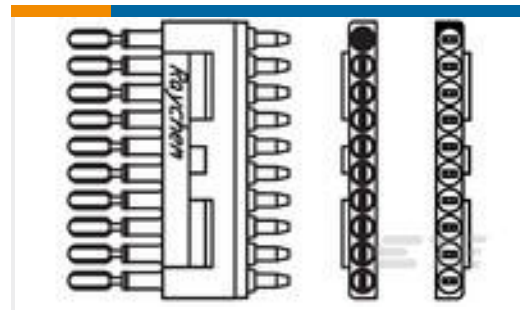


TE Model / Part # 650076-000  
D-436-38

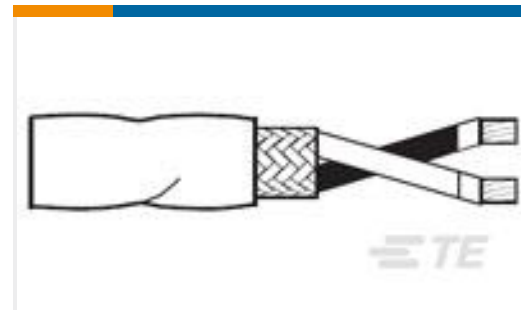
## Customers Also Bought



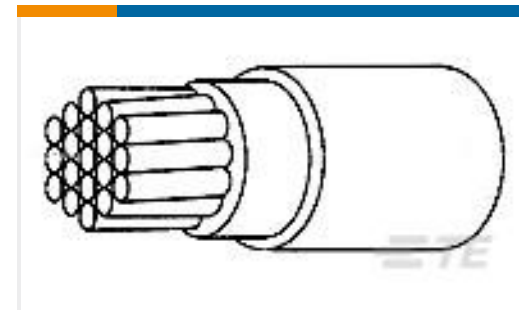
TE Model / Part #181419-000  
TXR40AC00-1606AI



TE Model / Part #699798-000  
MTC100-JA1-P11-T05



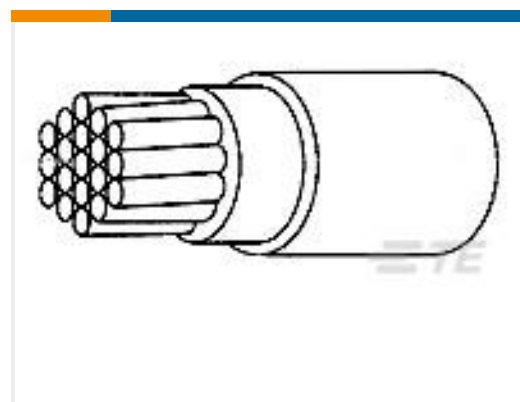
TE Model / Part #8065613001  
99M1121-22-0/9-0



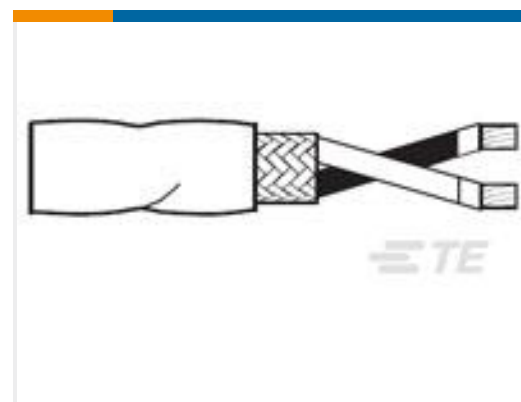
TE Model / Part #8159393001  
100G0111-2.00-8



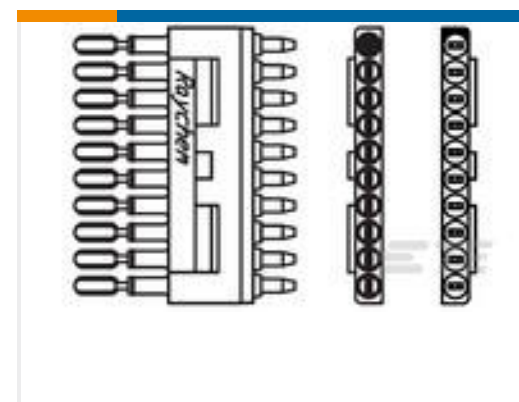
TE Model / Part #D538403001  
55D0111-22-2



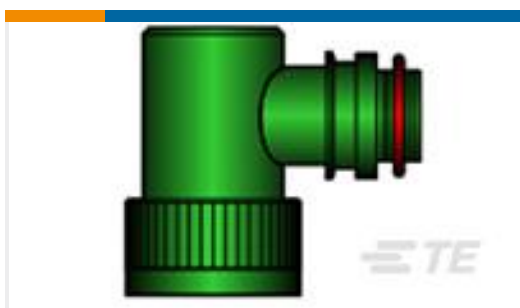
TE Model / Part #1826453001  
99M0111-18-6



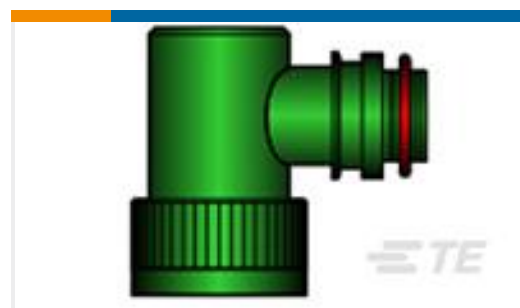
TE Model / Part #8684553001  
99M1121-26-2/6-0



TE Model / Part #699800-000  
MTC100-JB1-P11-T07



TE Model / Part #439795-000  
TXR40BC90-1608AI



TE Model / Part #324649-000  
TXR40BC90-2008AI

## Documents

### Product Drawings

[99M0111-14-9](#)

English

### Datasheets & Catalog Pages

[1654025\\_Sec9\\_Type99M](#)

English

[Raychem Wire and Cable Quick Reference Guide](#)

English

99M0111-14-9

Hook Up Wire, Spec 99M, 600V Voltage Rating, White Wire Color, 14AWG Wire Size,  
2.08mm<sup>2</sup> Wire Size, Operating Temperature Range -65 – 125 °C

